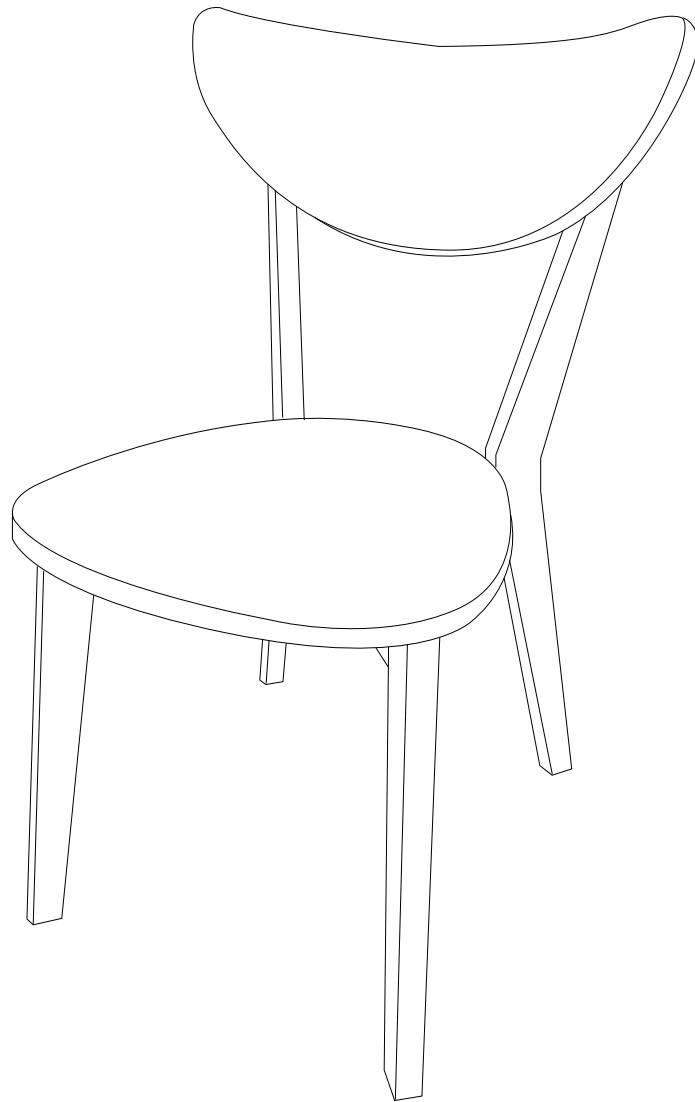
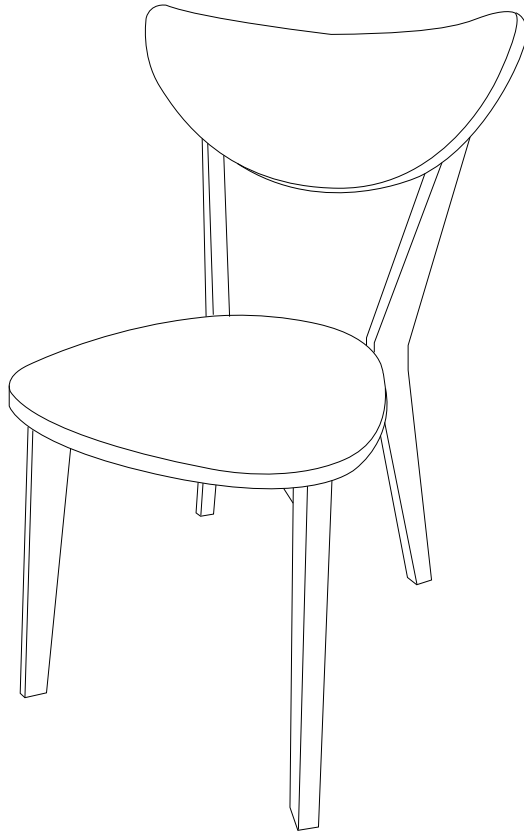


ROXBY



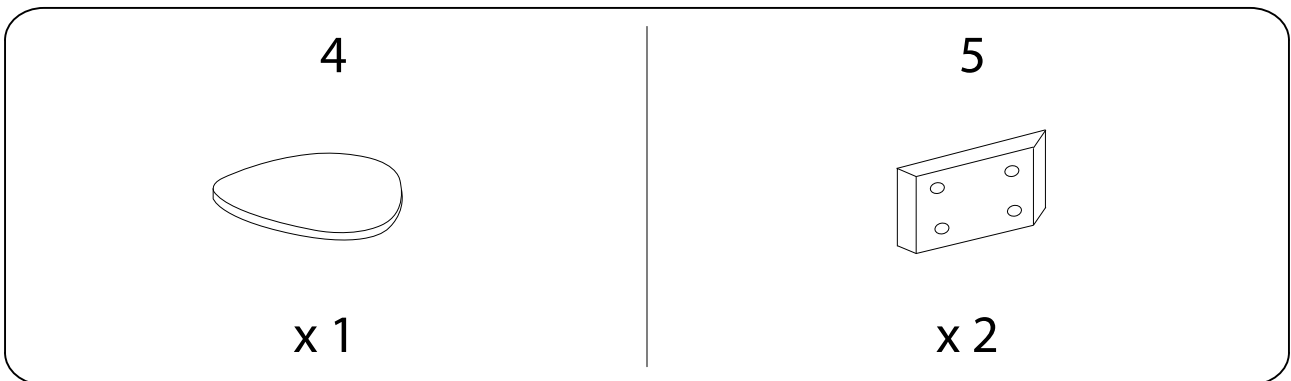
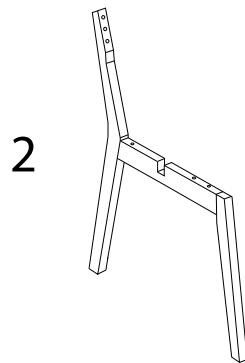
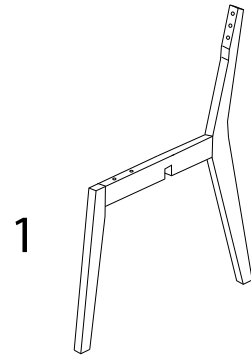
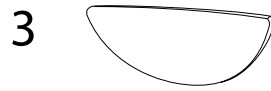
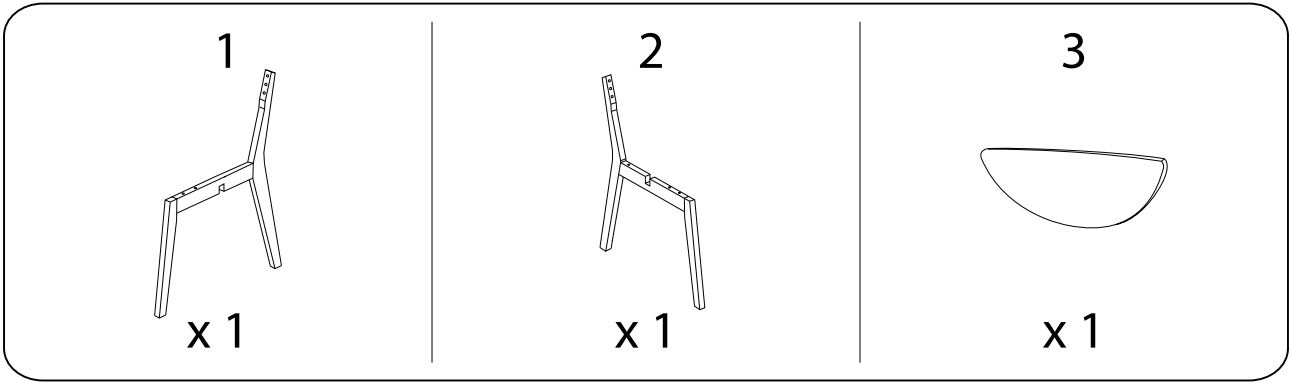


Assembly instructions for the first step:

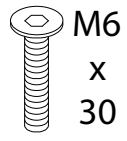
- Tools: A screwdriver and an L-shaped Allen key are shown in a circle. A power drill is shown with a diagonal line through it, indicating it should not be used.
- Warning: A triangle with an exclamation mark inside.
- Time: A clock icon with a circular arrow, indicating a 15-minute duration.

Assembly instructions for the second step:

- Tools: A square block is shown on a surface with a diagonal line through it, indicating it should not be used. A screwdriver is also shown with a diagonal line through it.
- Warning: A triangle with an exclamation mark inside.
- Personnel: A stick figure icon representing one person.

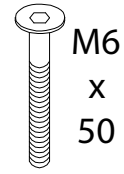


A



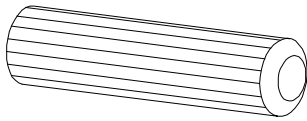
x 4

B



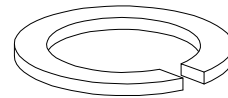
x 4

C



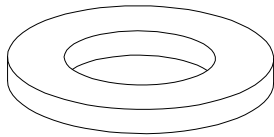
x 4

D



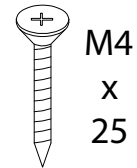
x 8

E



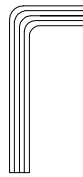
x 8

F



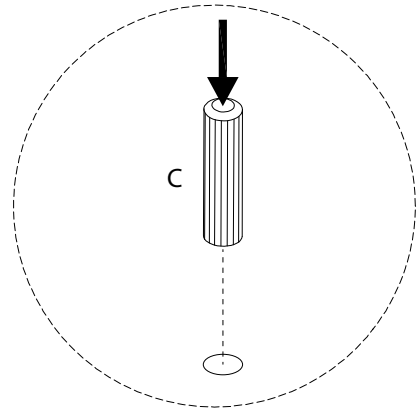
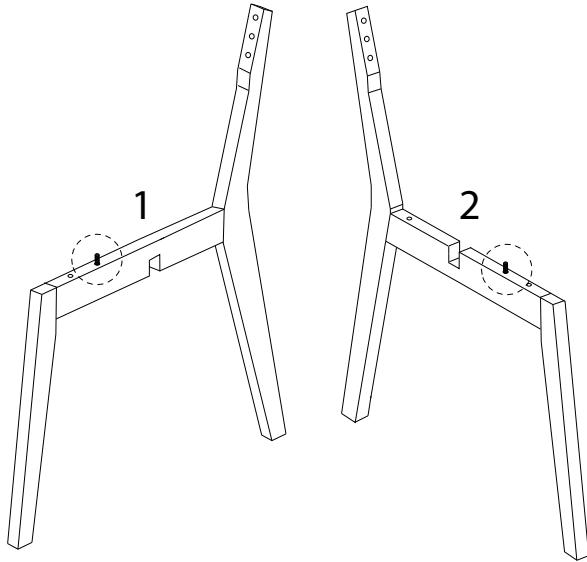
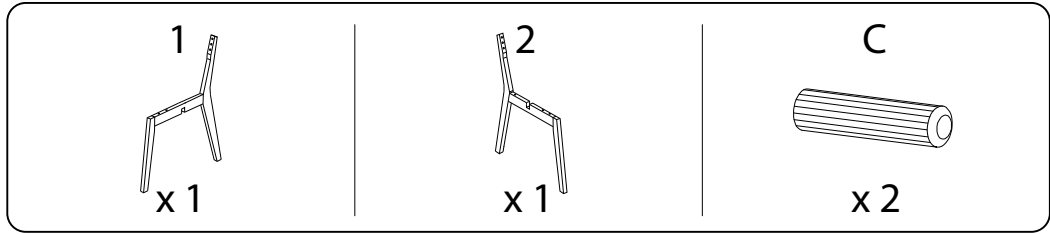
x 8

G

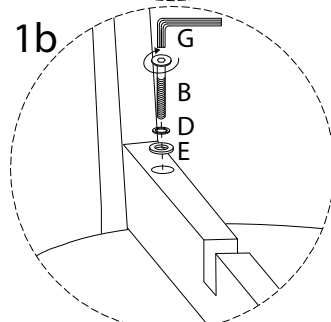
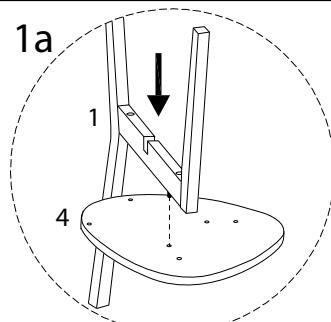
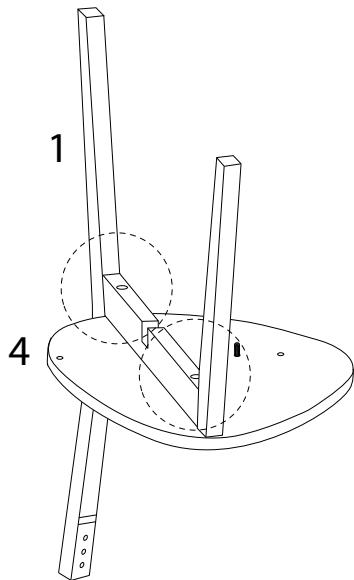
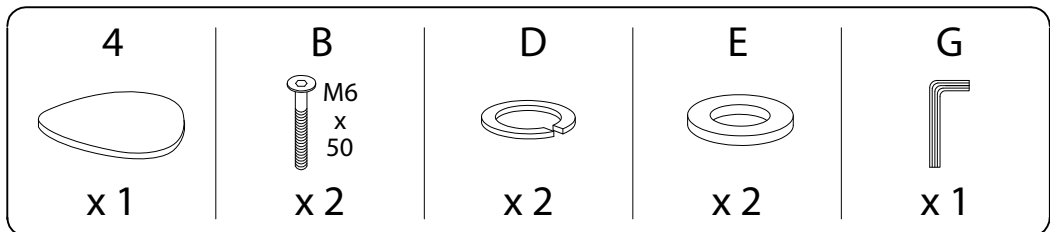


x 1

1



2



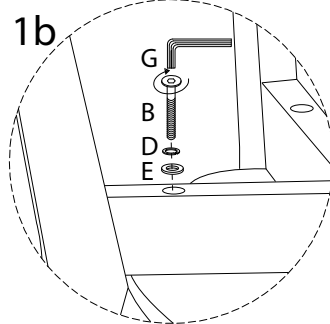
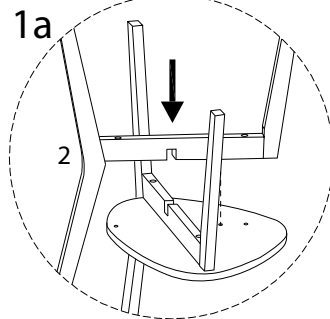
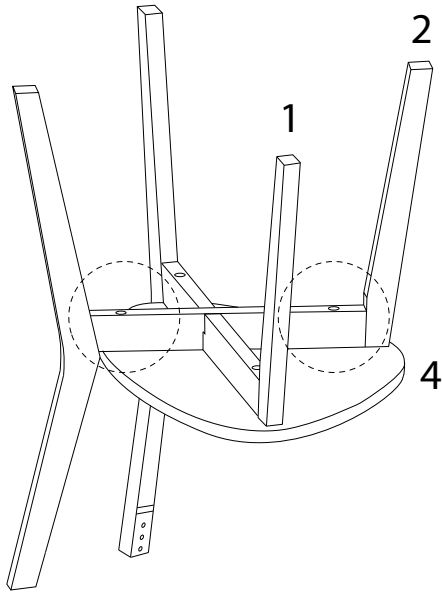
3

B
M6
x
50
x 2

D
x 2

E
x 2

G
x 1

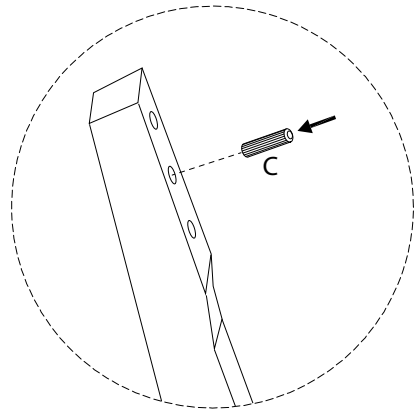
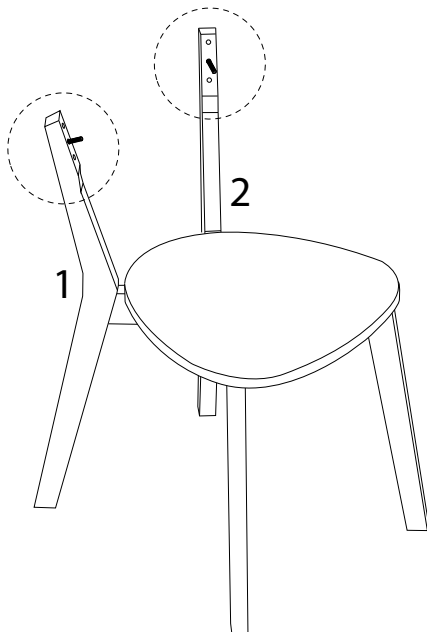


4

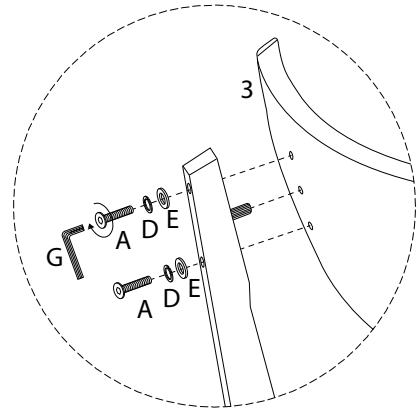
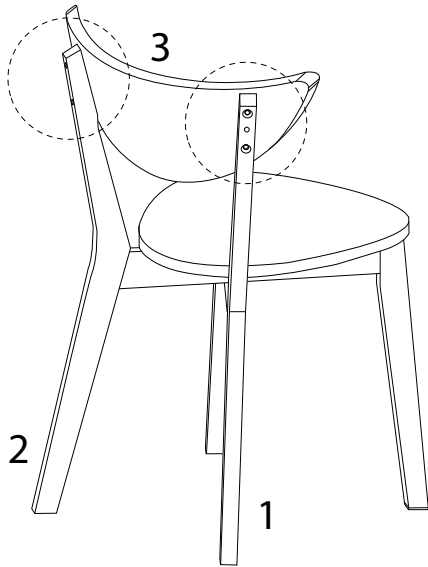
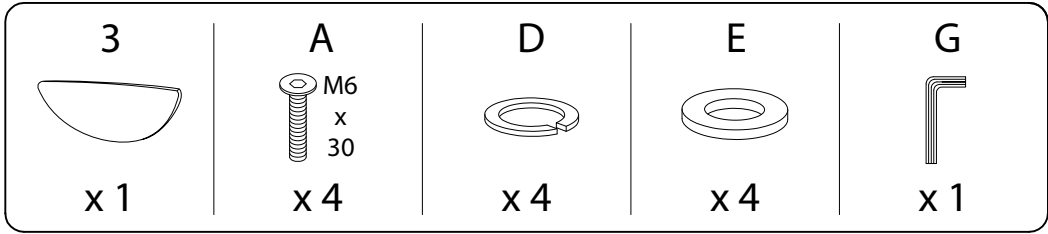
C



x 2



5



6

