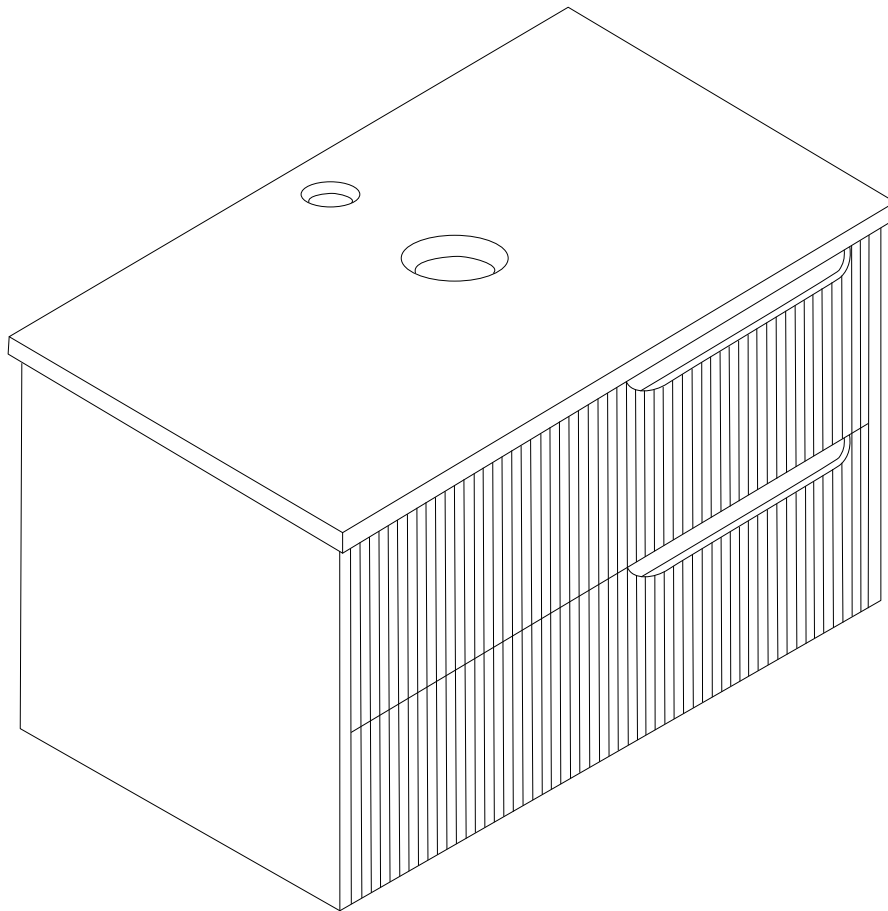


QUINTELA



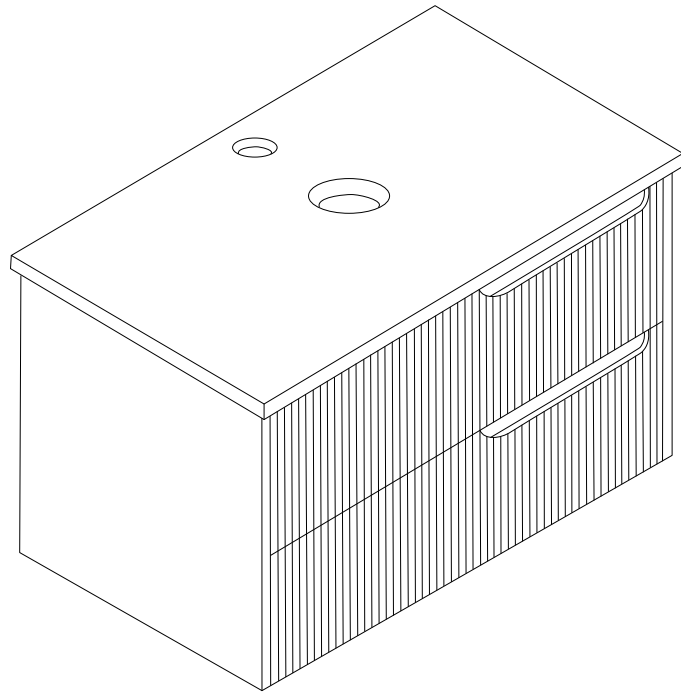
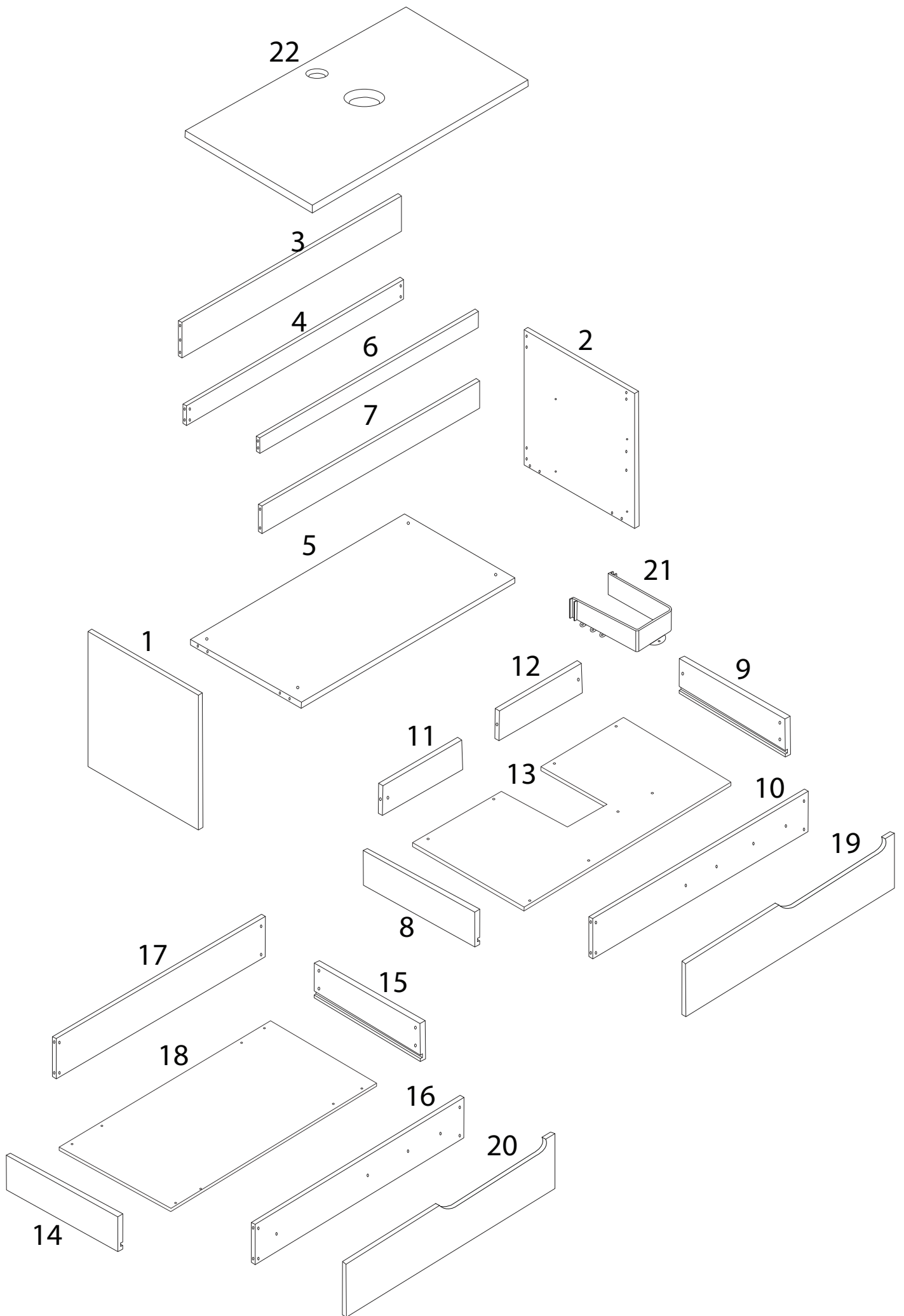
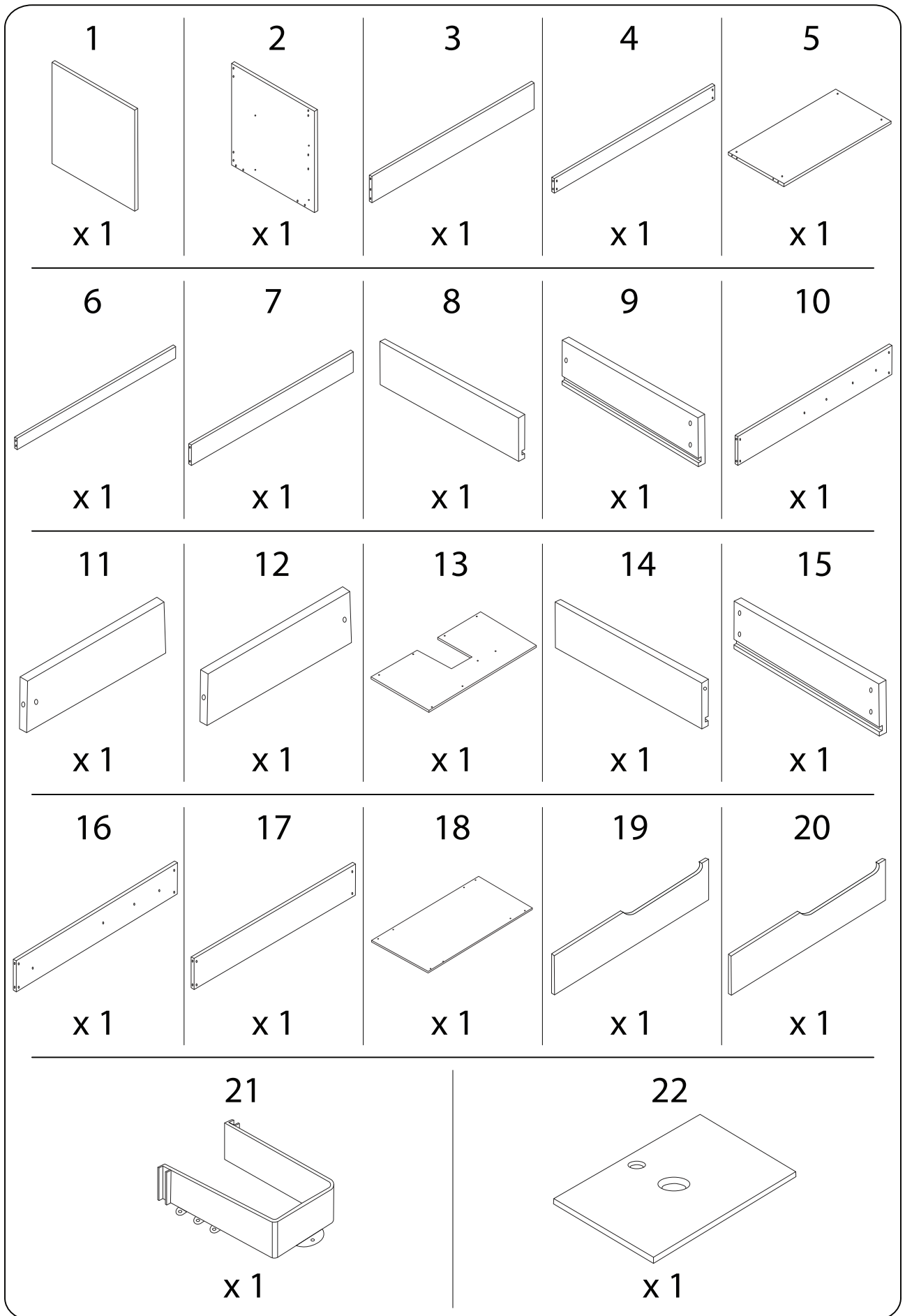


Diagram illustrating assembly steps and safety warnings:

- Step 1:** Requires a screwdriver and a power drill. Includes a warning triangle with an exclamation mark.
- Step 2:** Shows a component being placed on a surface. Includes a warning triangle with an exclamation mark.
- Time:** A clock icon indicates a duration of 90'.
- Personnel:** An icon of a person and the number 2 indicate that two people are required for the assembly.



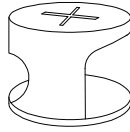


A



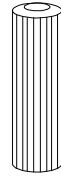
x 34

B



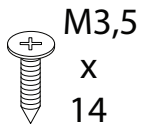
x 34

C



x 6

D



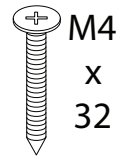
x 43

E



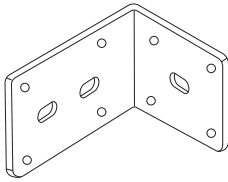
x 16

F



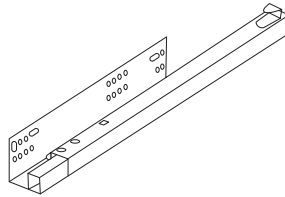
x 8

G



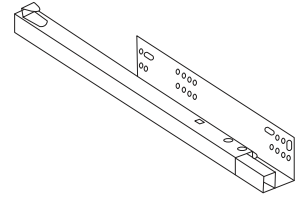
x 2

H



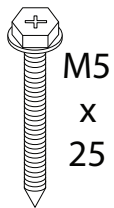
x 2

I



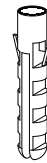
x 2

J



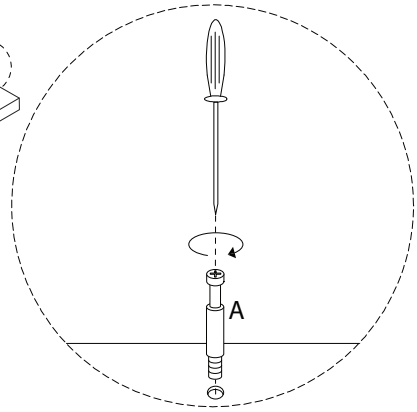
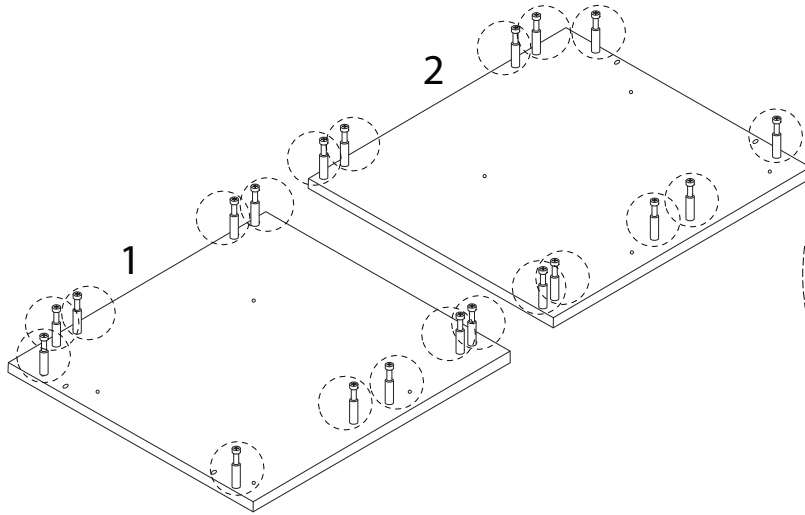
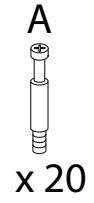
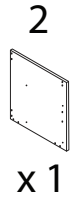
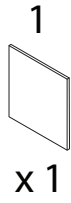
x 2

K

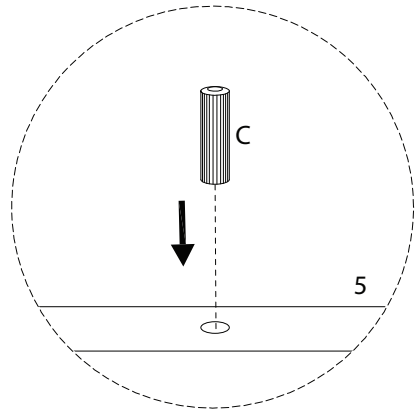
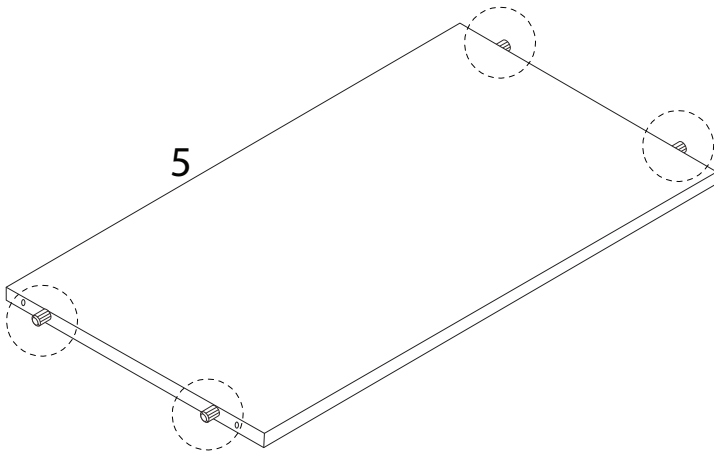
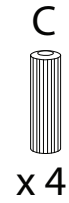
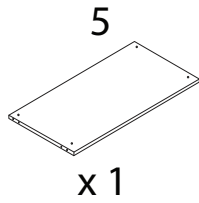


x 2

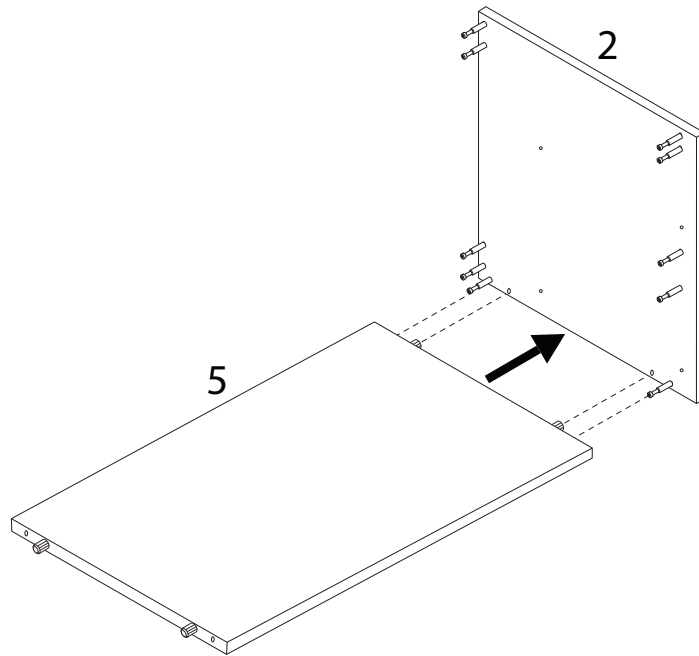
1



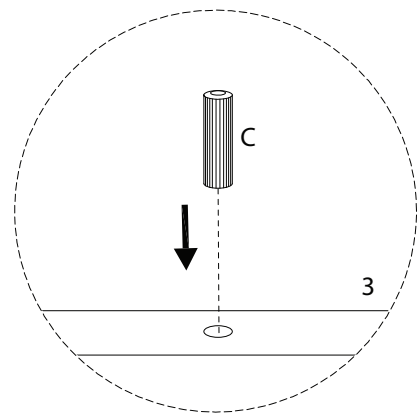
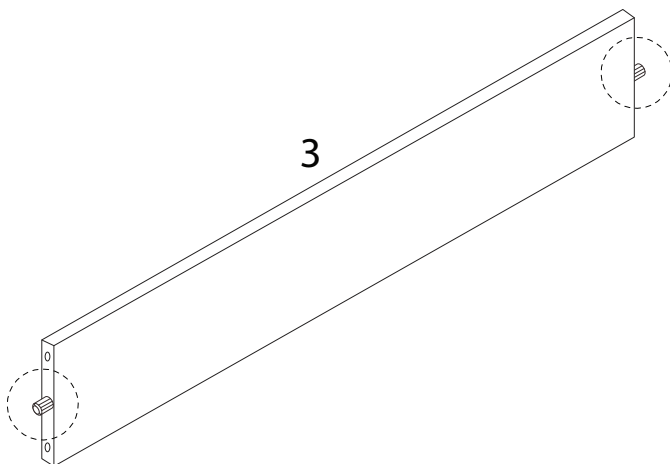
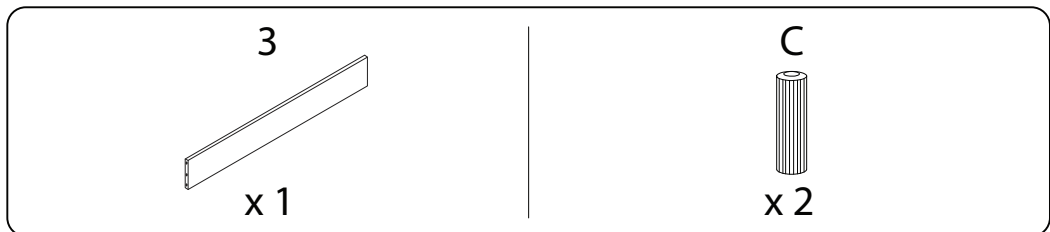
2



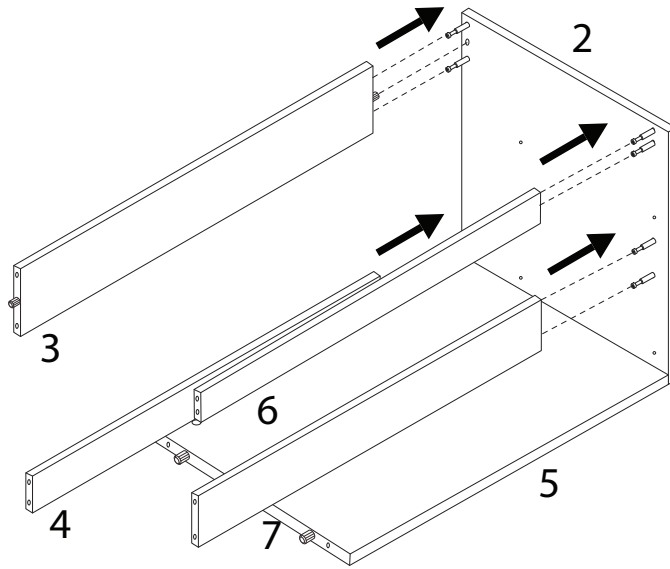
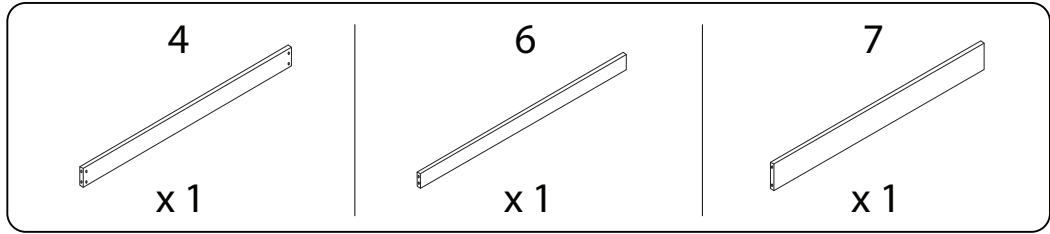
3



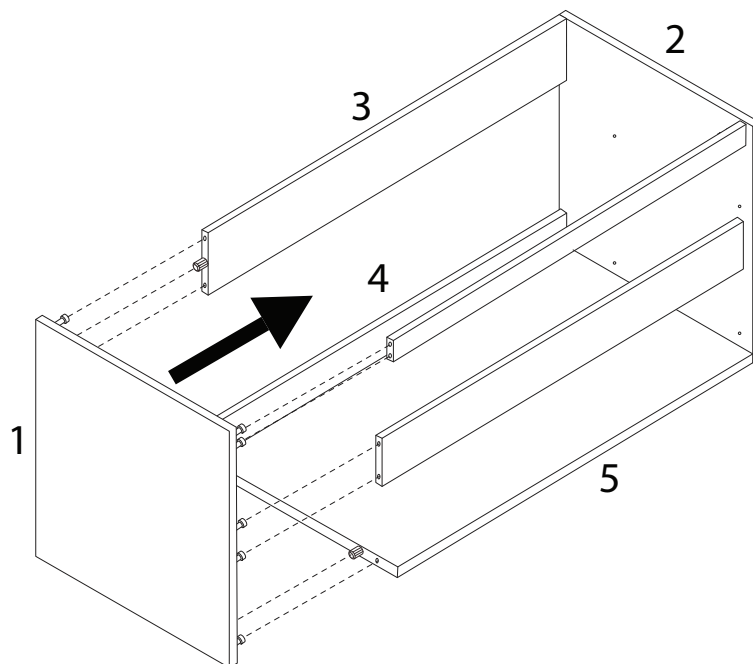
4



5



6

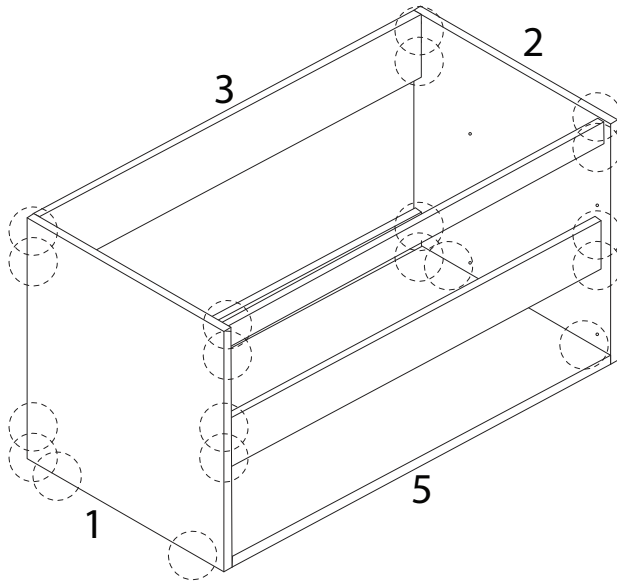


7

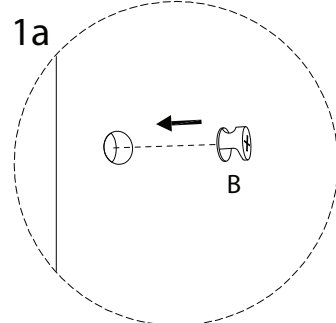
B



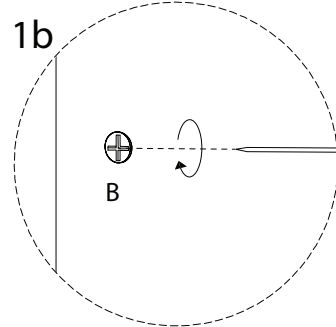
x 20



1a

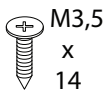


1b



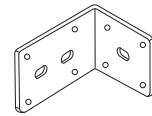
8

D

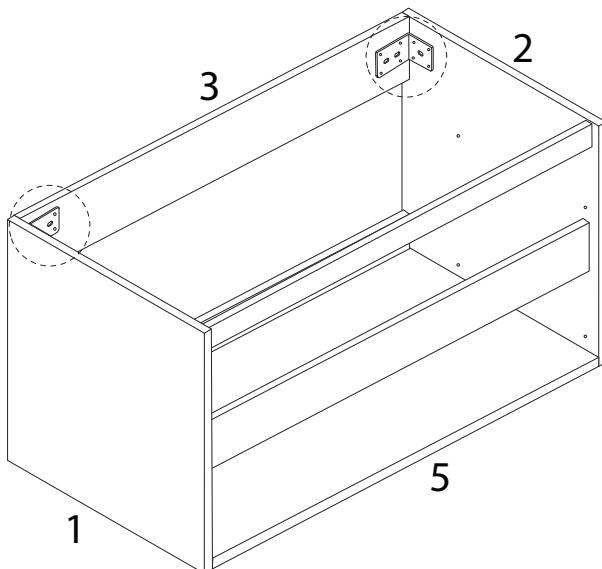


x 16

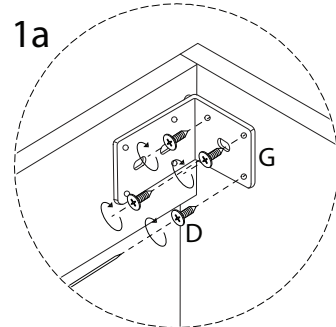
G



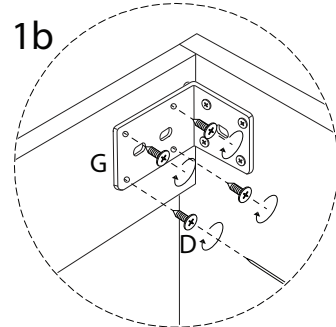
x 2



1a



1b



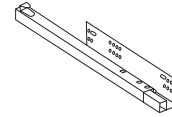
9

D

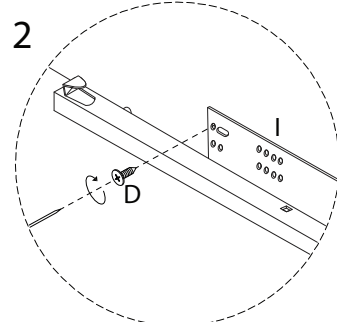
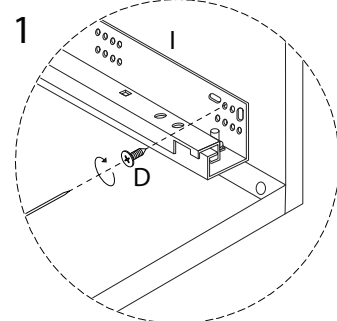
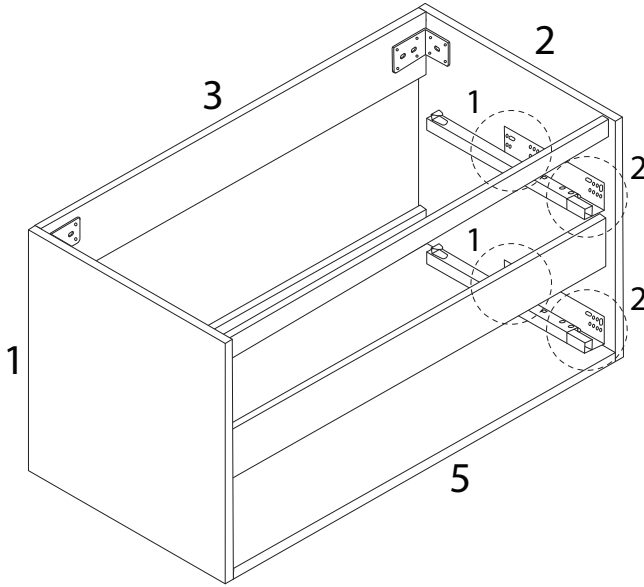


x 4

I

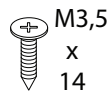


x 2



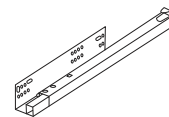
10

D

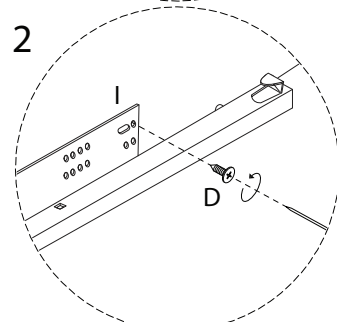
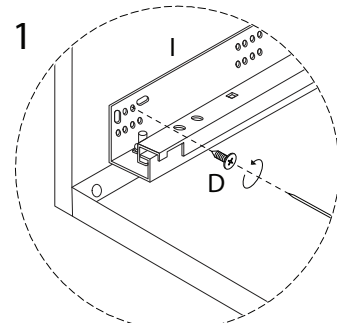
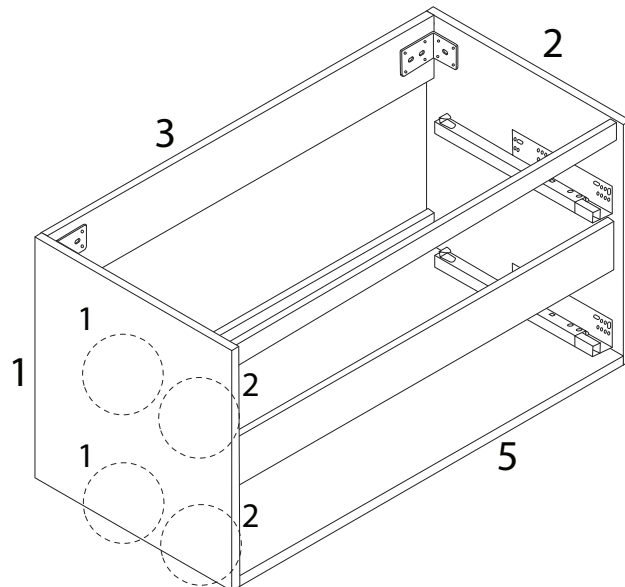


x 4

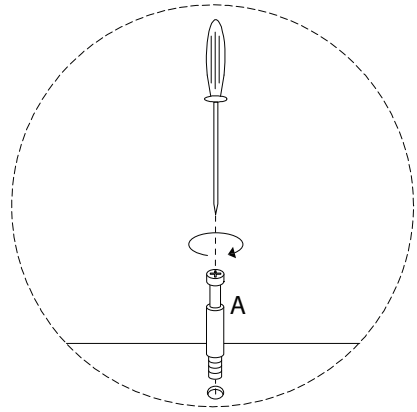
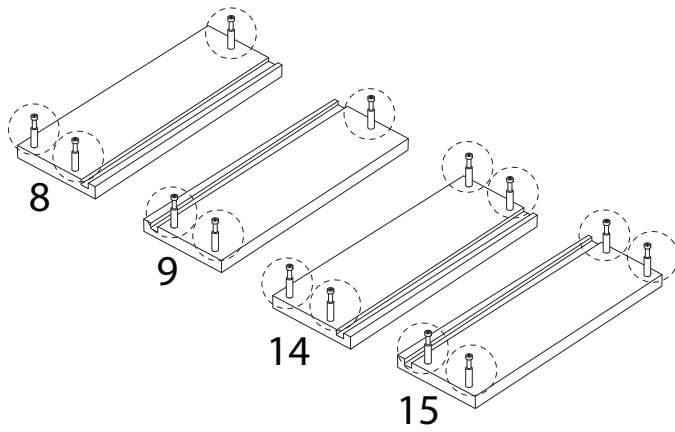
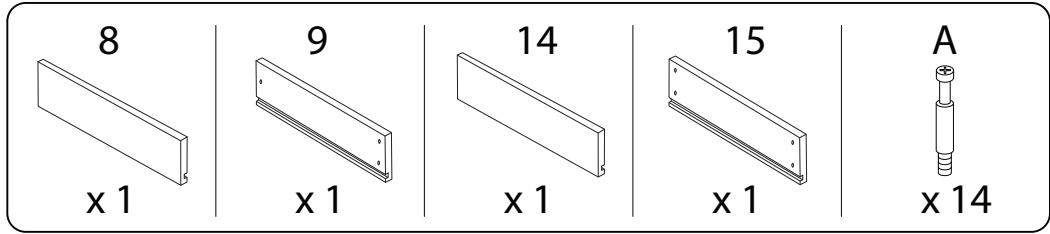
H



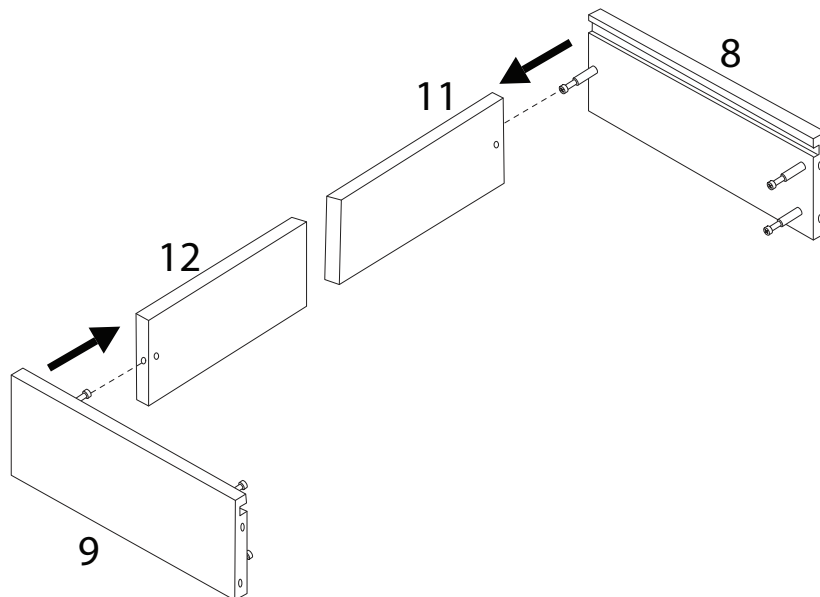
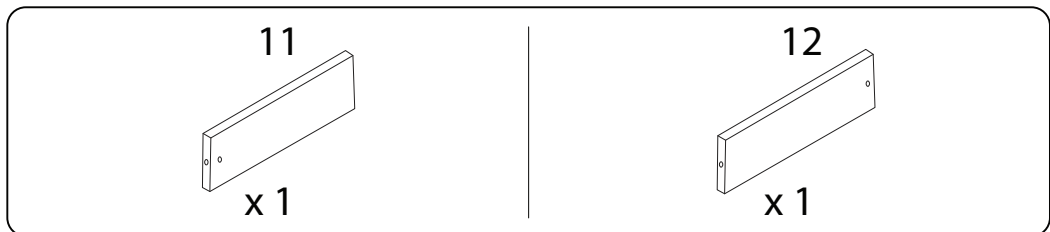
x 2



11

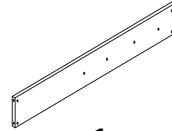


12

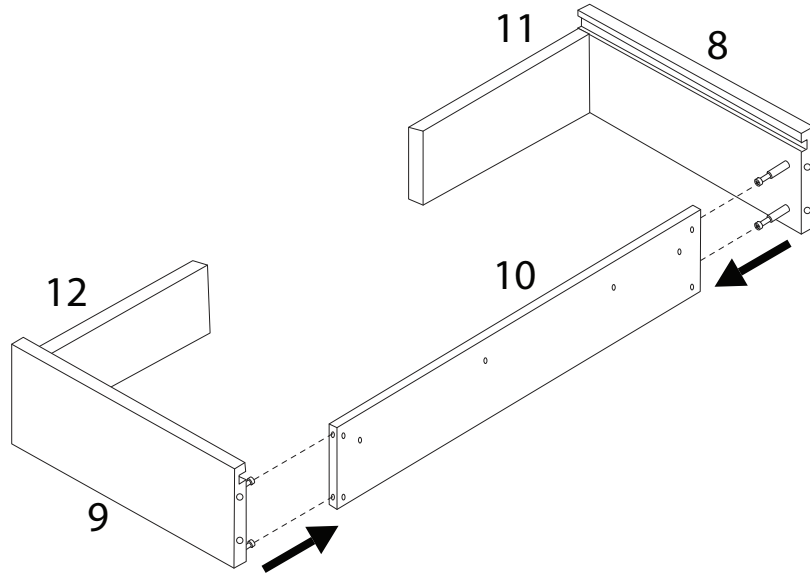


13

10

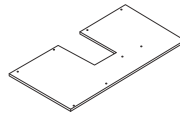


x 1

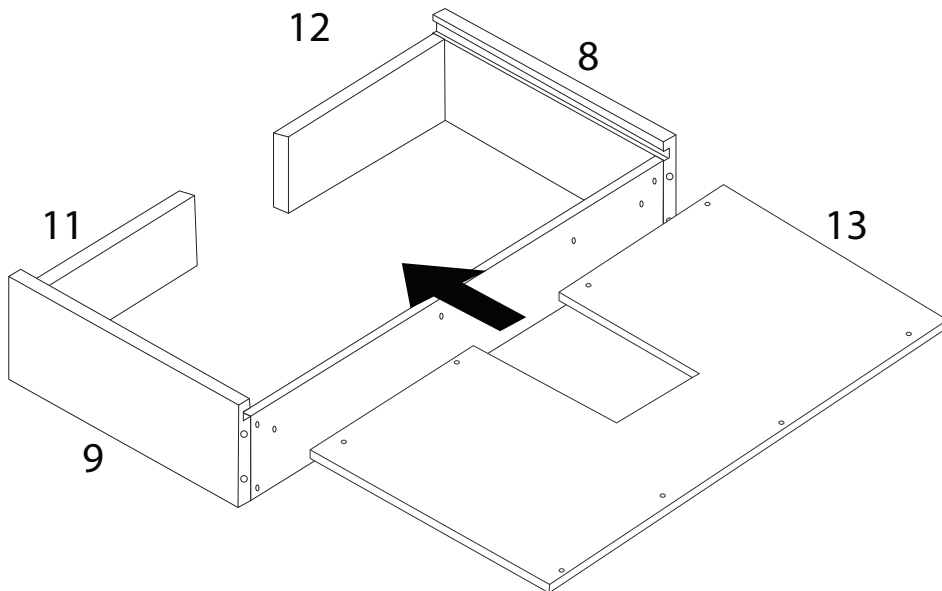


14

13



x 1

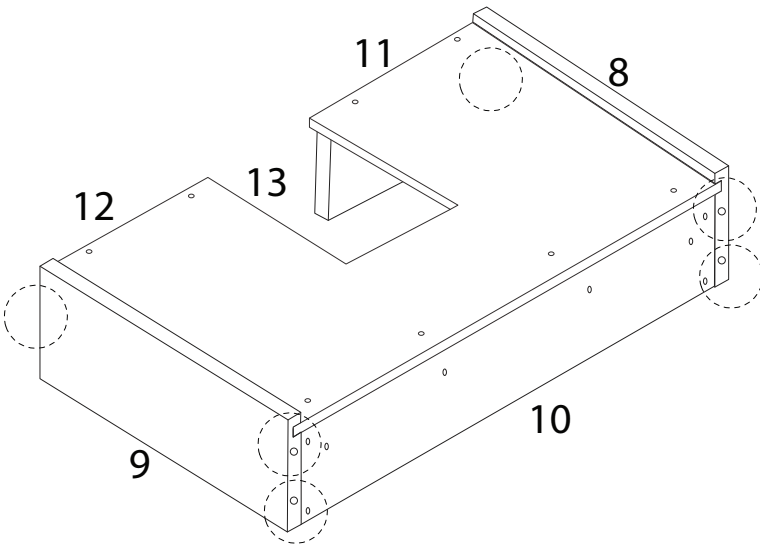


15

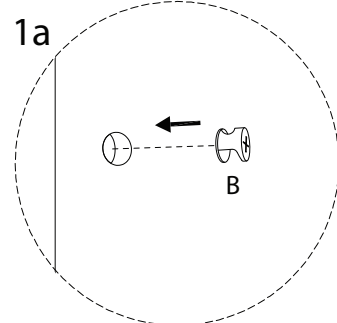
B



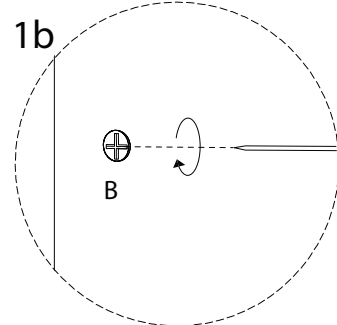
x 6



1a



1b

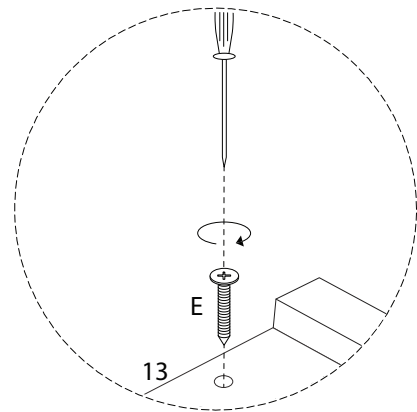
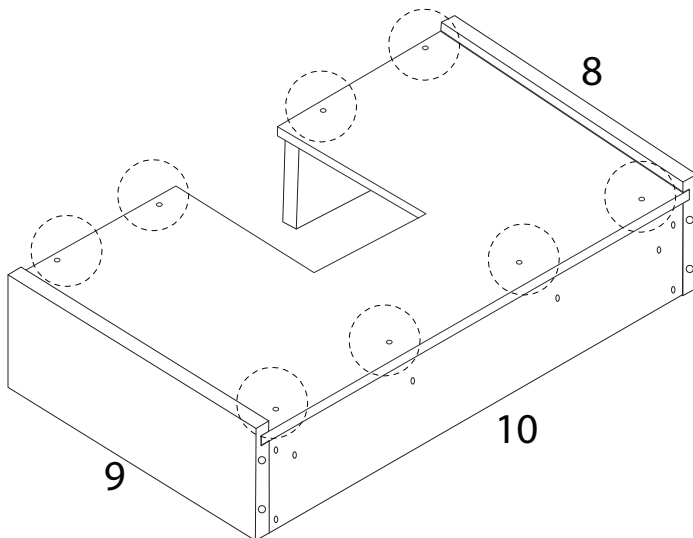


16

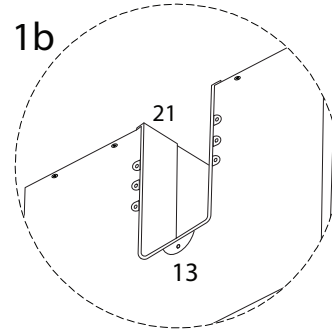
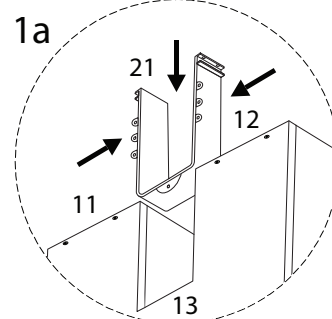
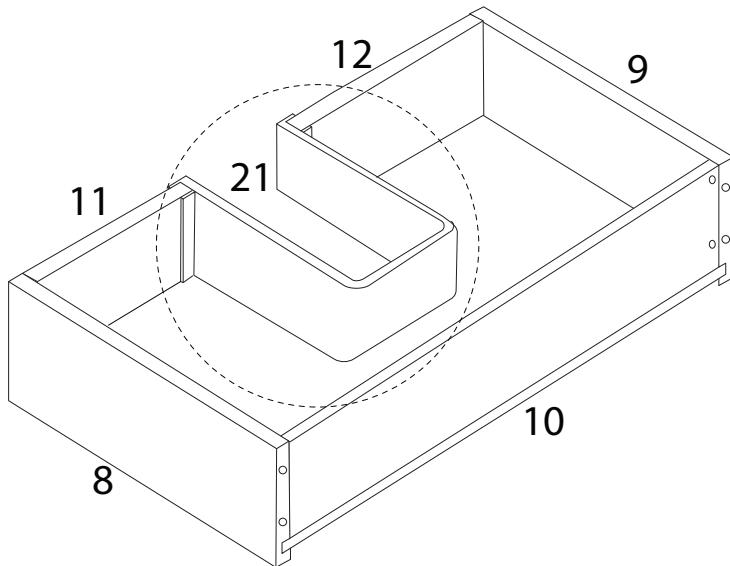
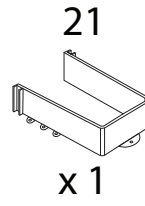
E



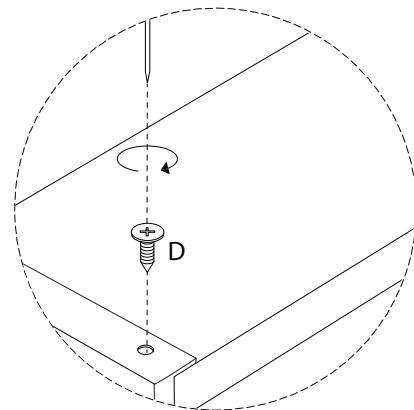
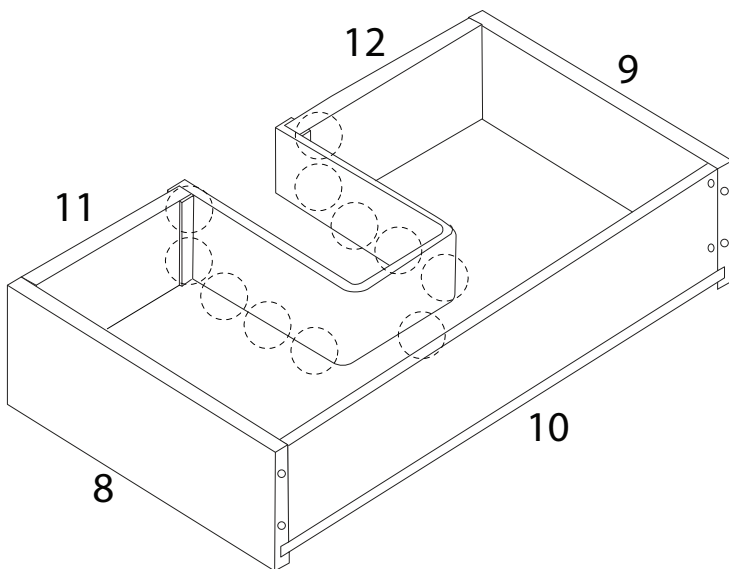
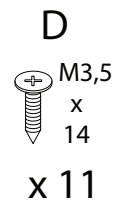
x 8



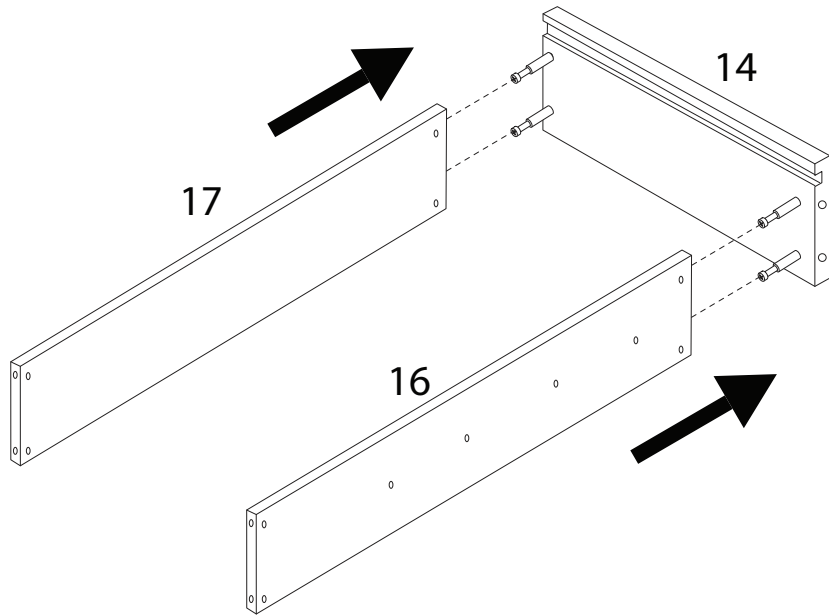
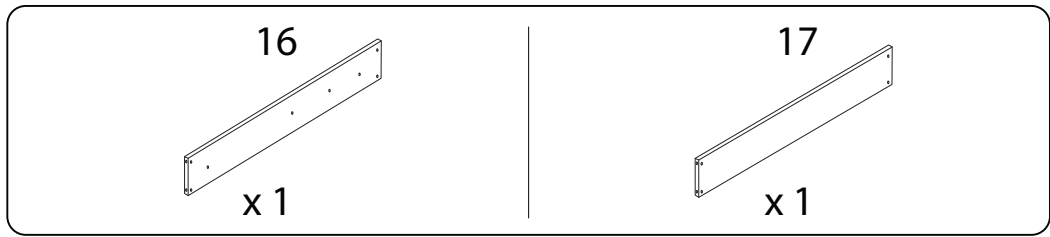
17



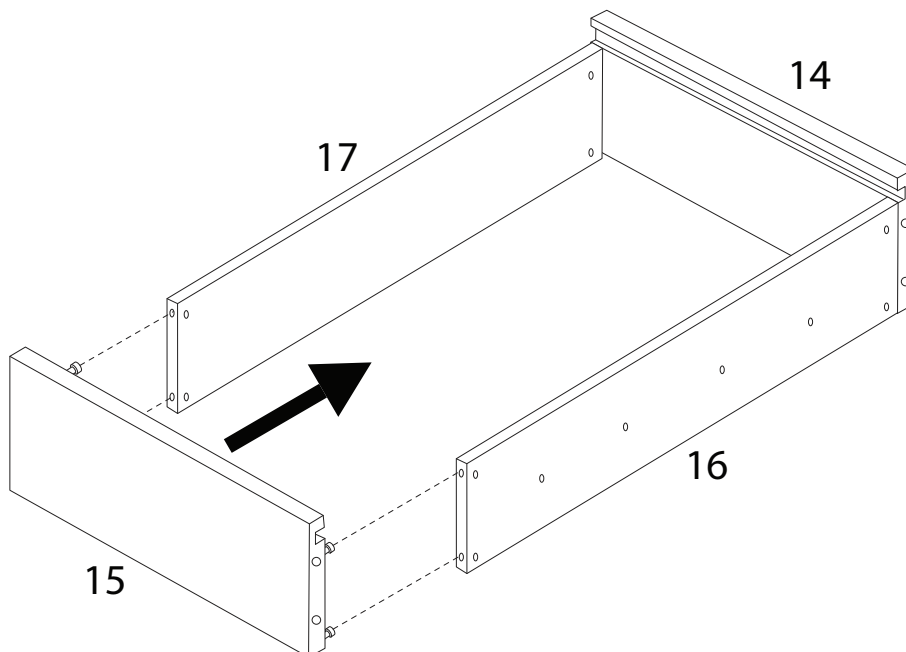
18



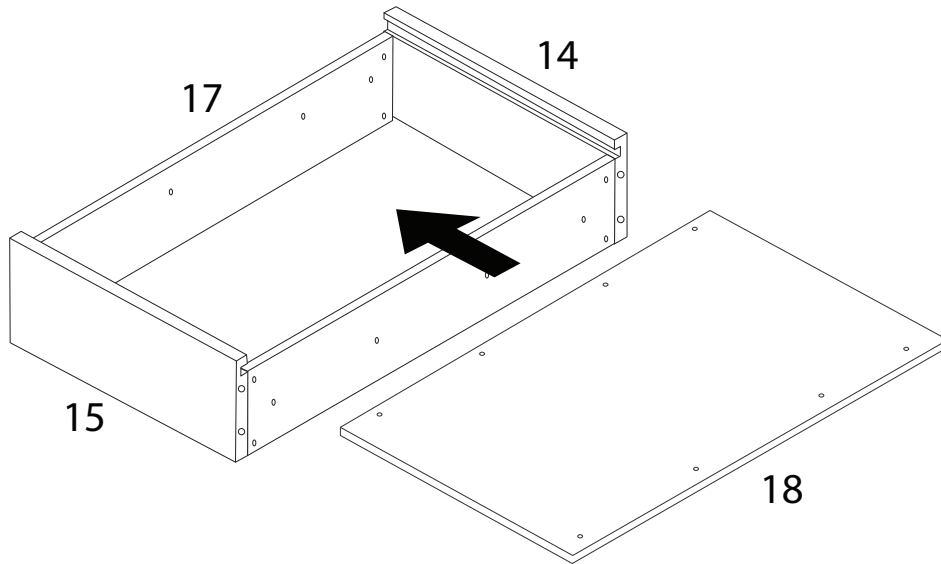
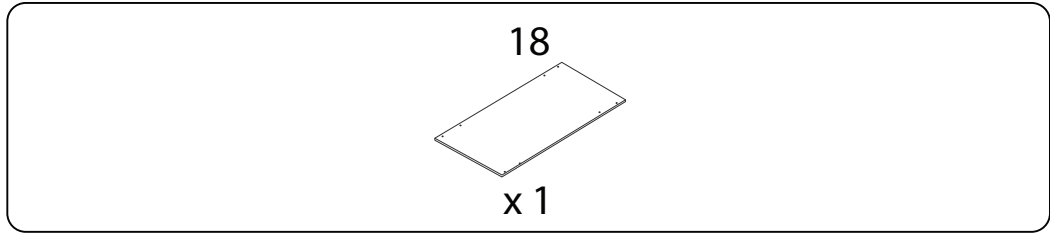
19



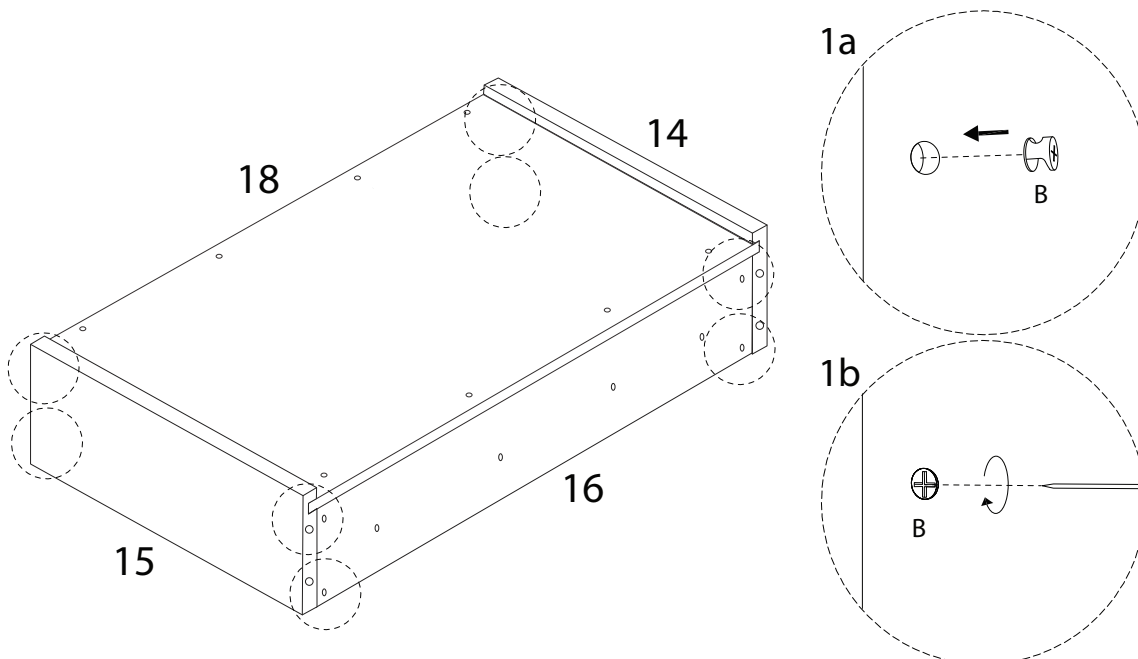
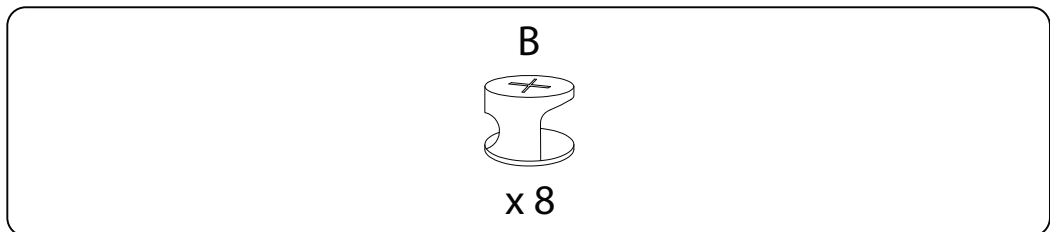
20



21

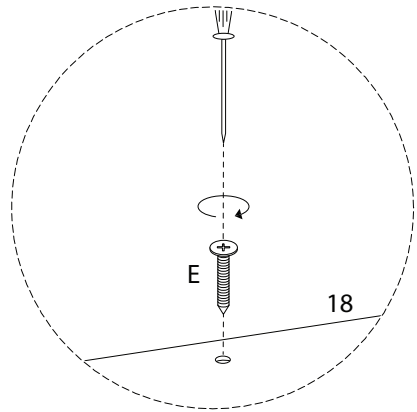
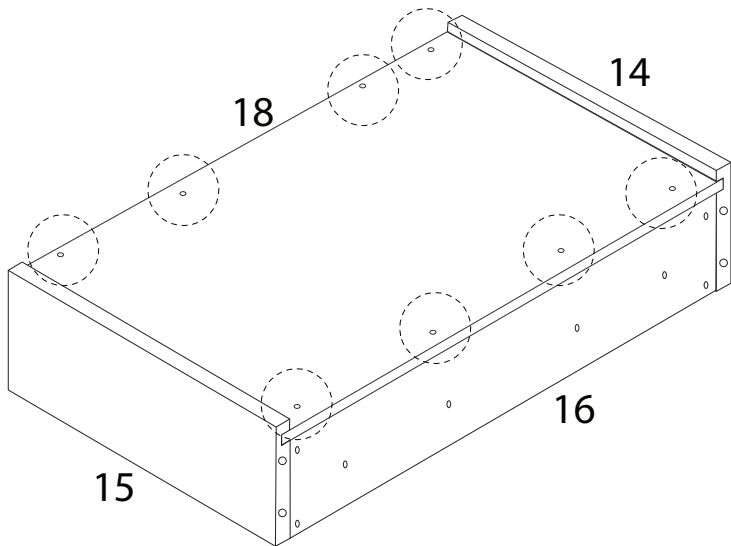


22

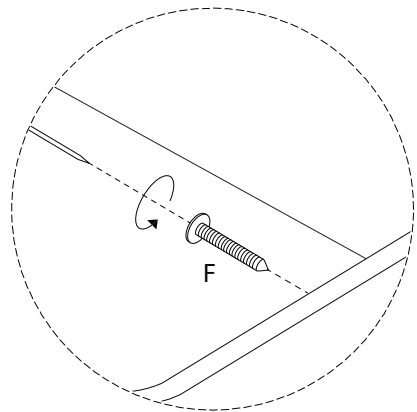
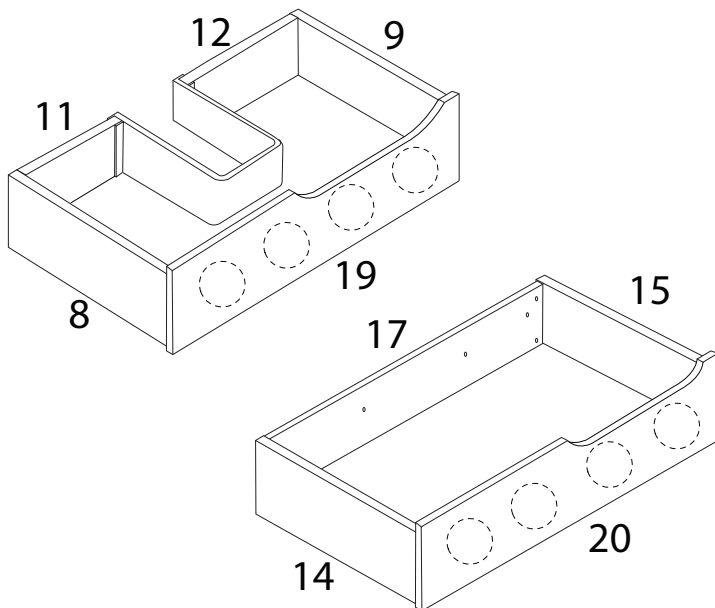
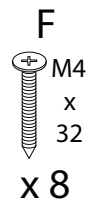
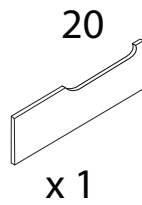
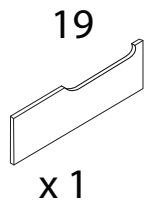


23

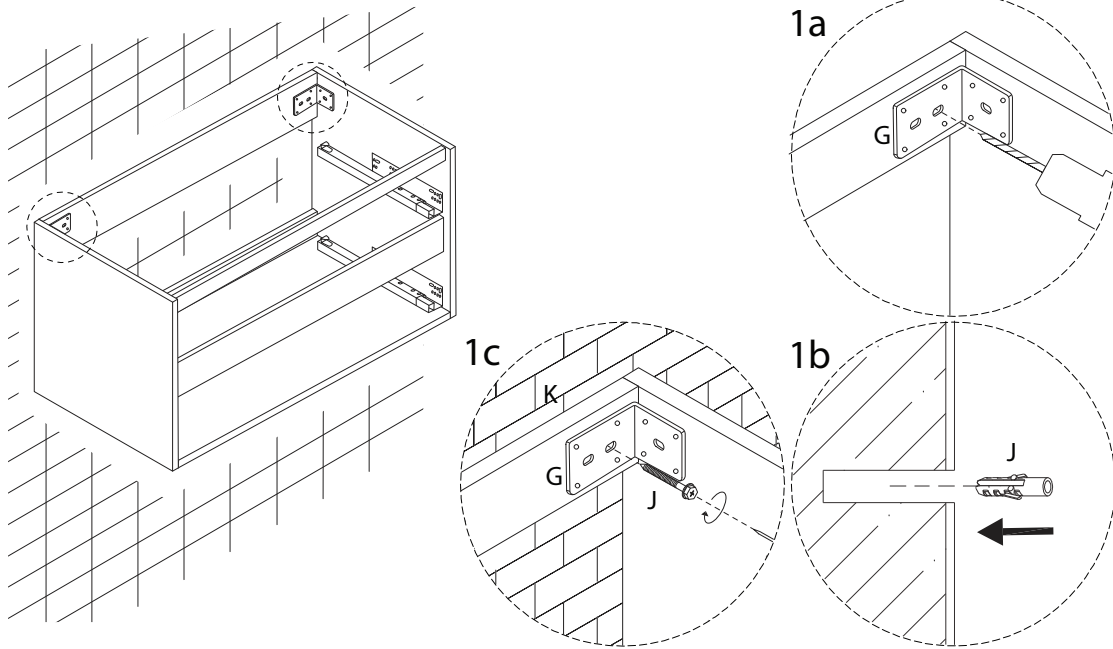
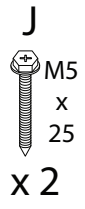
E
M4
x
24
x 8



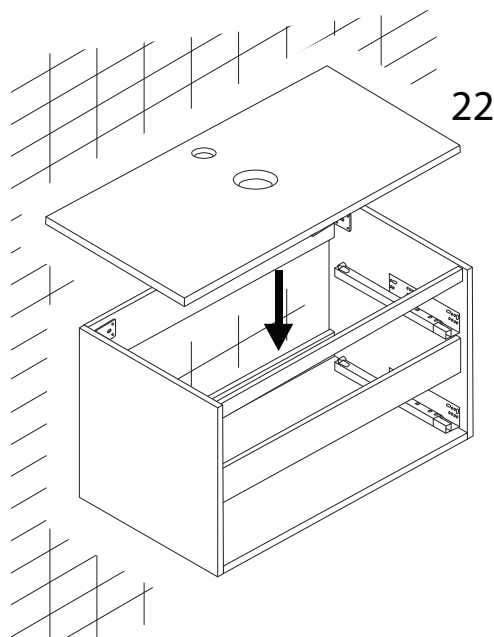
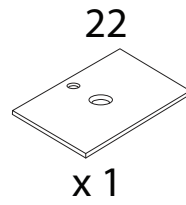
24



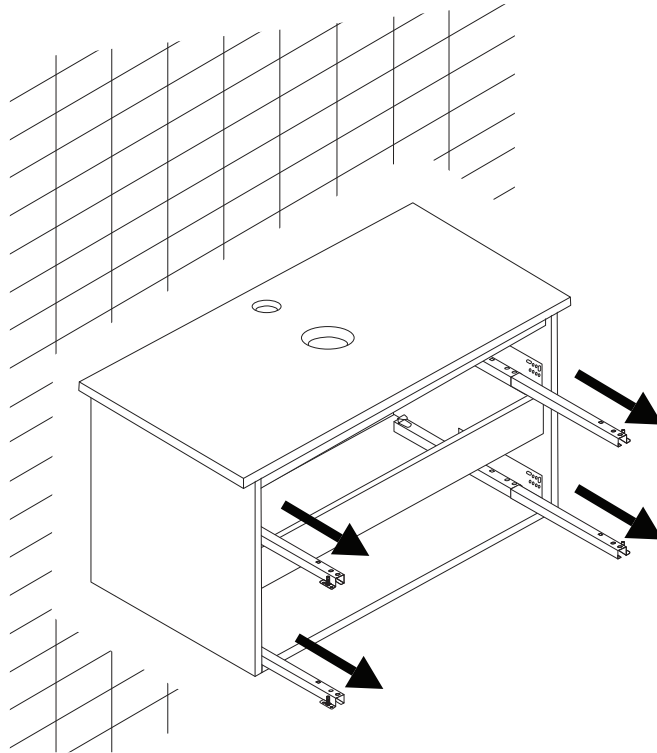
25



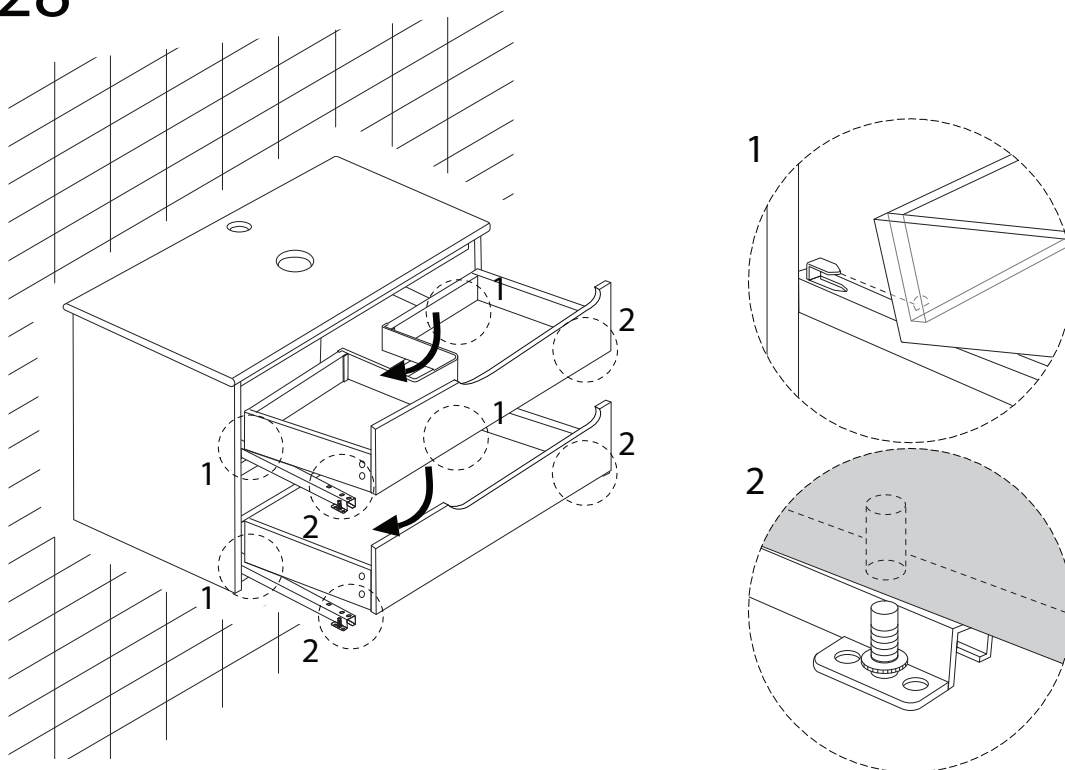
26



27



28



29

D

M3.5
x
14

x 8

