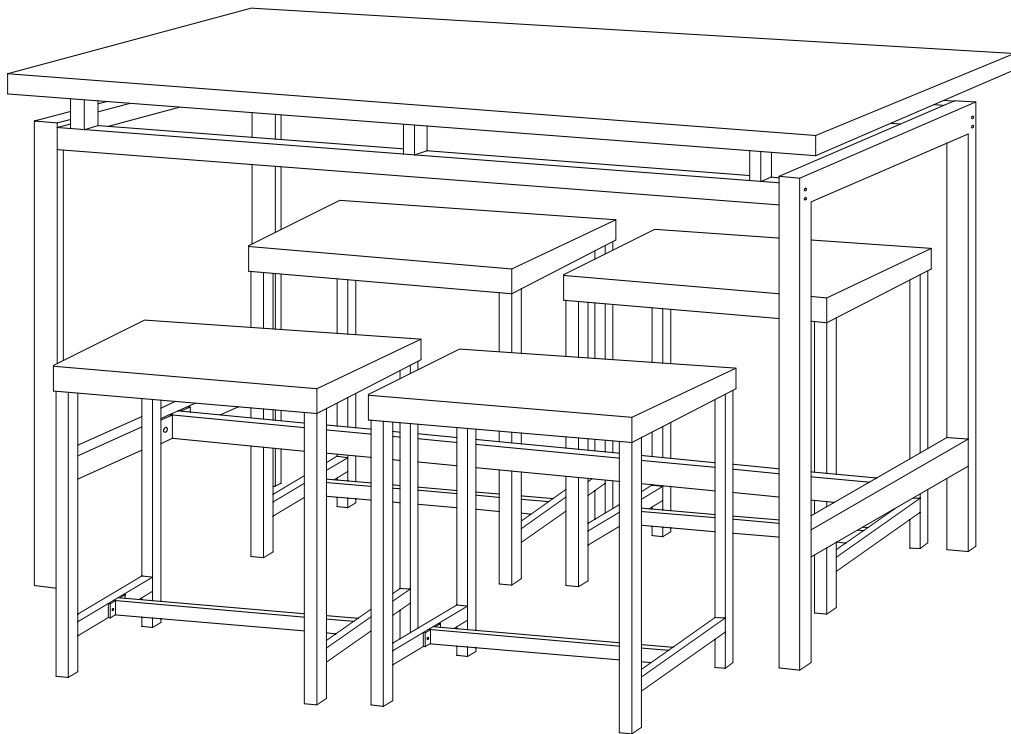
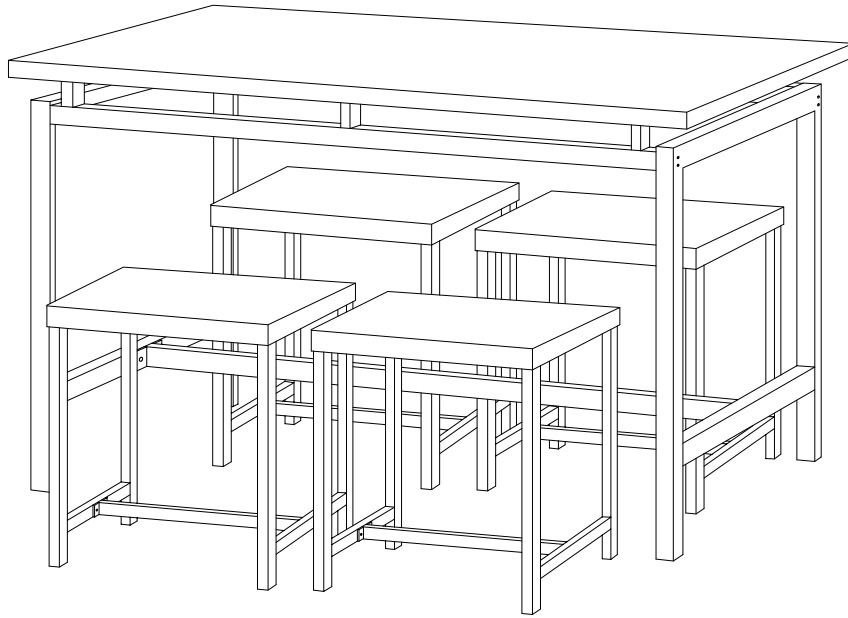


ARLINGTON



A

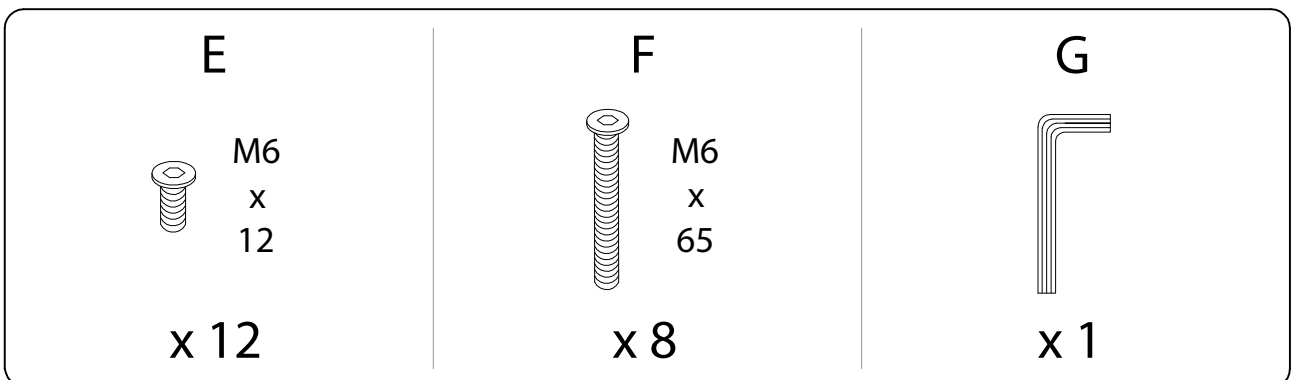
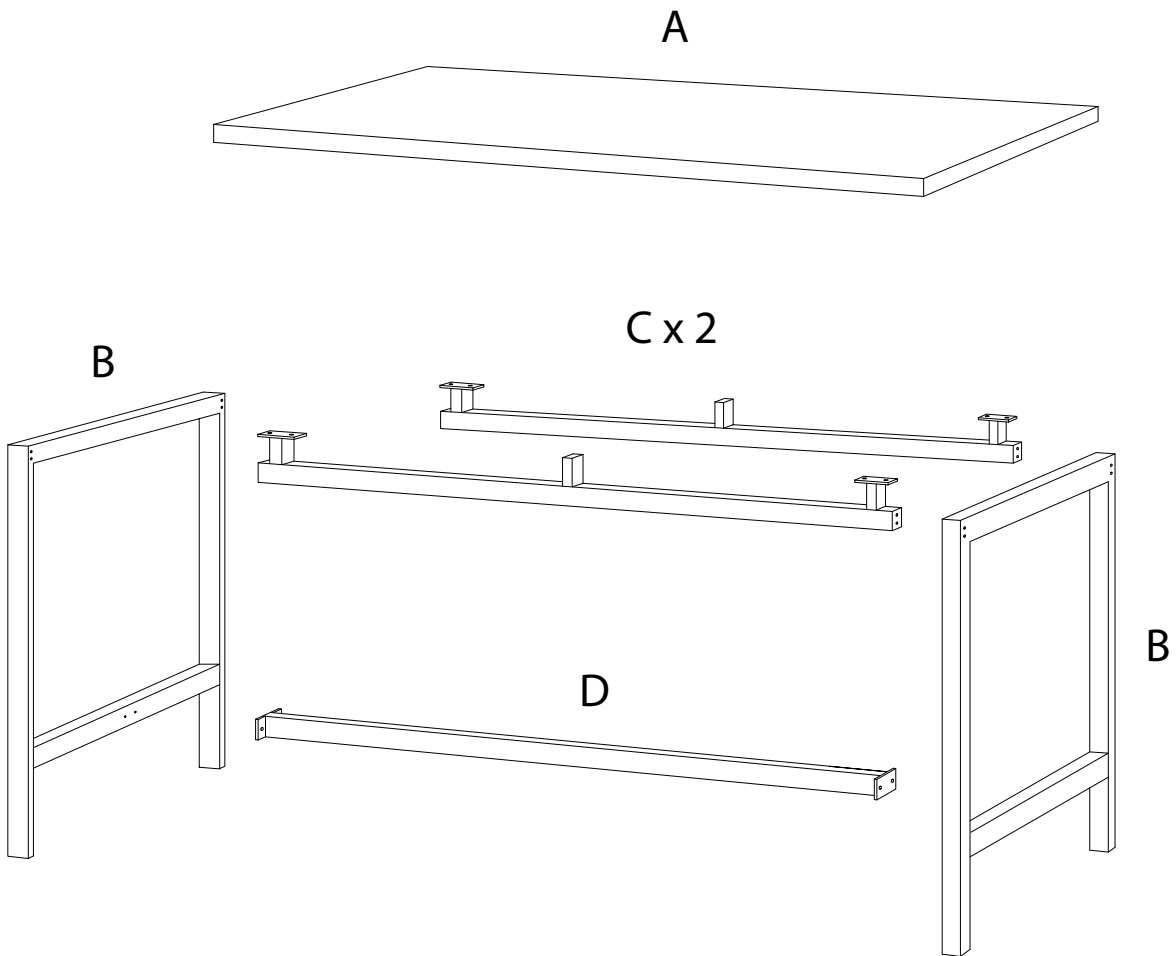
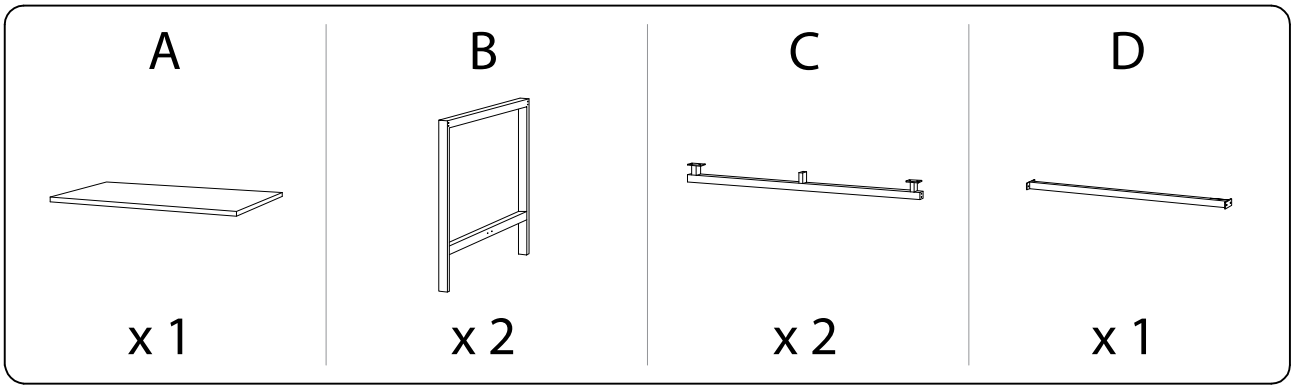


B x 4

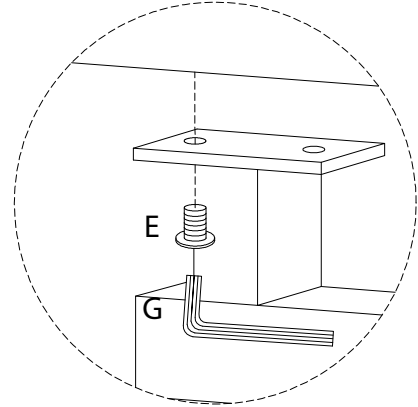
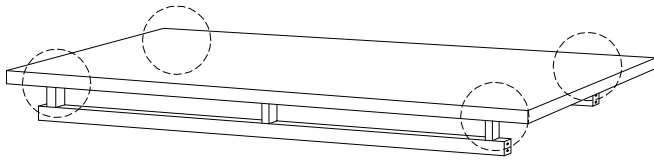
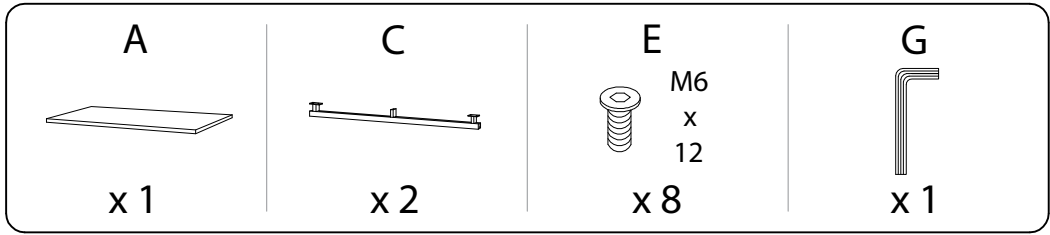
Diagram illustrating assembly steps and safety warnings:

- Warning 1:** A triangle with an exclamation mark points to a circular inset showing an L-shaped metal bracket. Next to it is a crossed-out power drill, indicating that a power drill should not be used for this step.
- Warning 2:** A triangle with an exclamation mark points to a circular inset showing a rectangular block being placed on a surface. Next to it is a crossed-out diagram of the block being inserted into a hole, indicating that the block should not be inserted into the hole.
- Time:** A clock icon with a circular arrow indicates a duration of 45'.
- Personnel:** An icon of a person indicates that 1 person is required for this step.

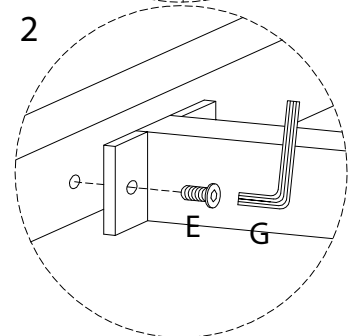
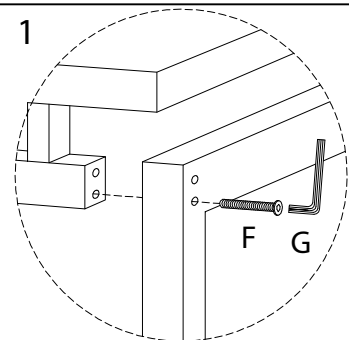
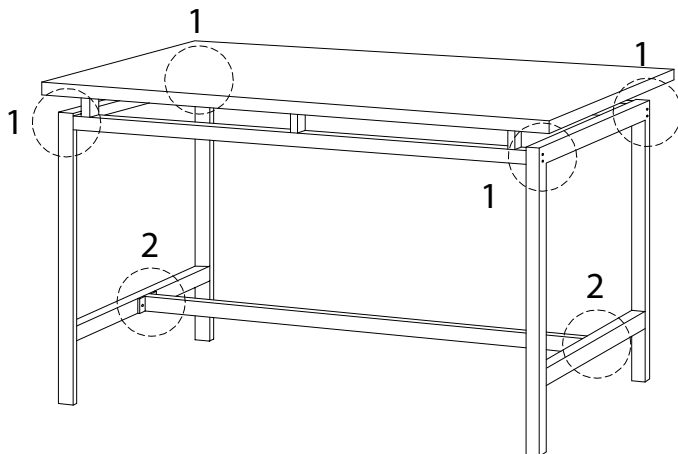
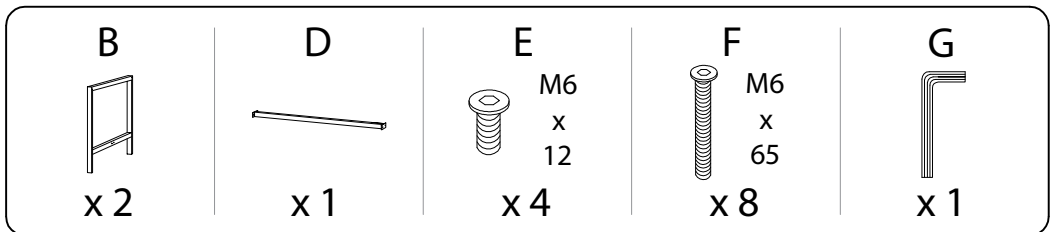
A



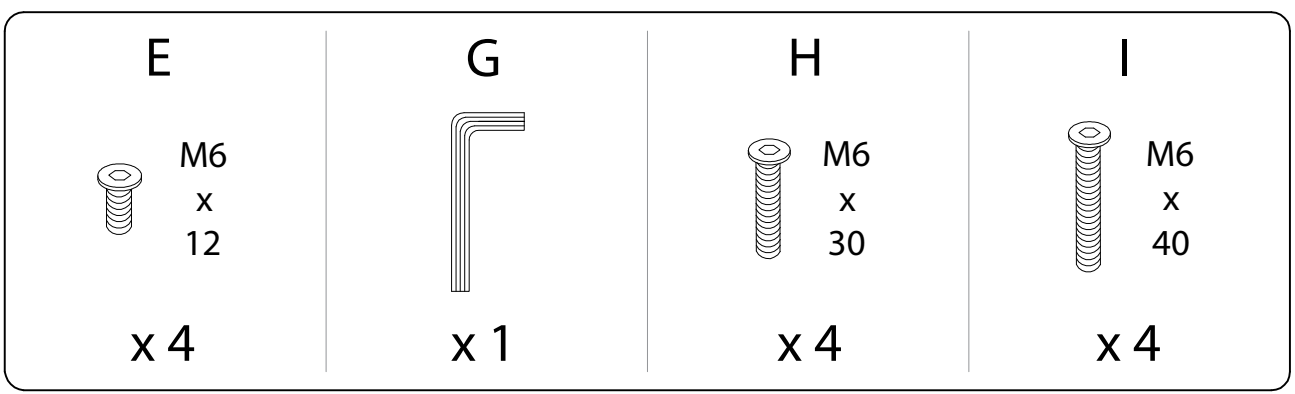
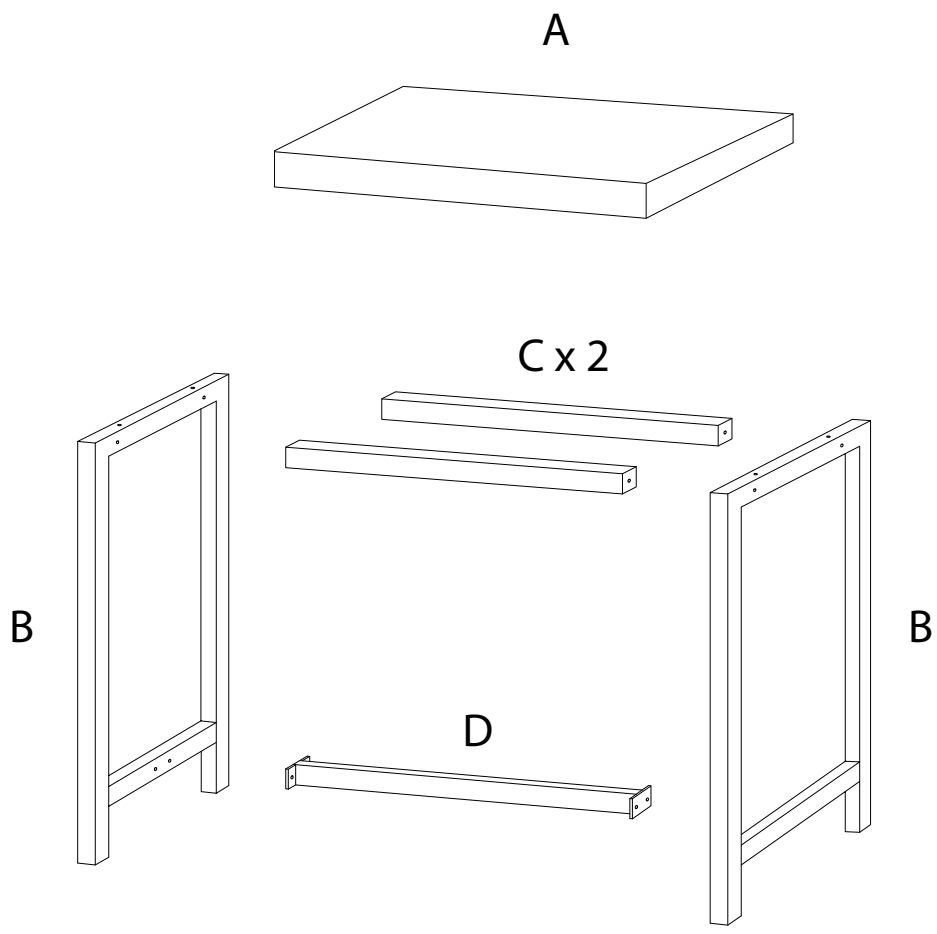
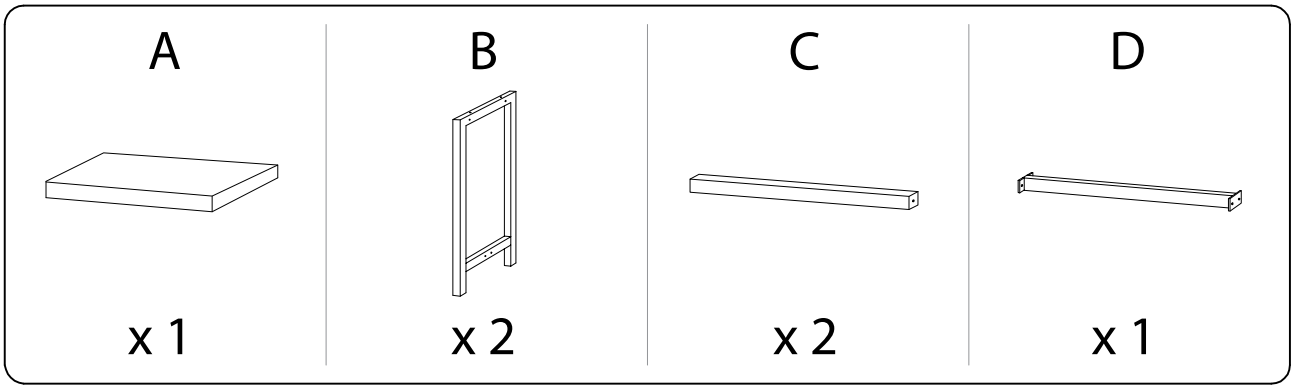
1



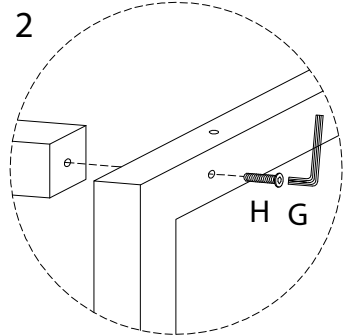
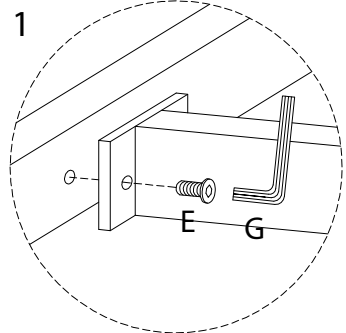
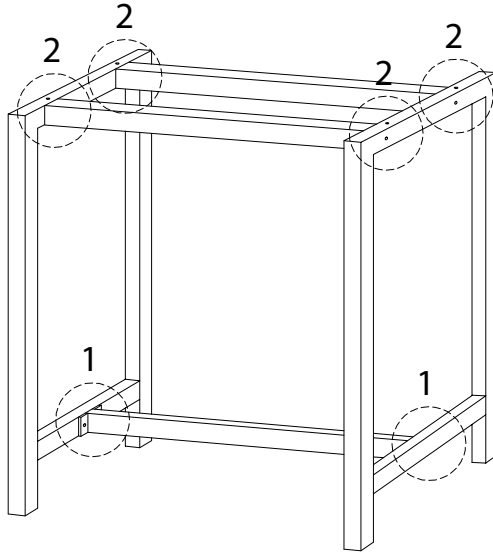
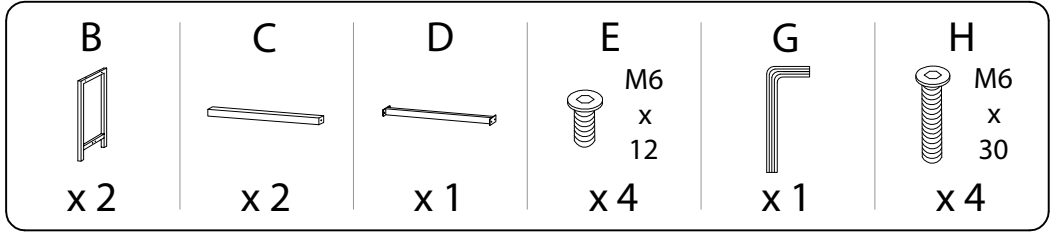
2



B x 4



1



2

