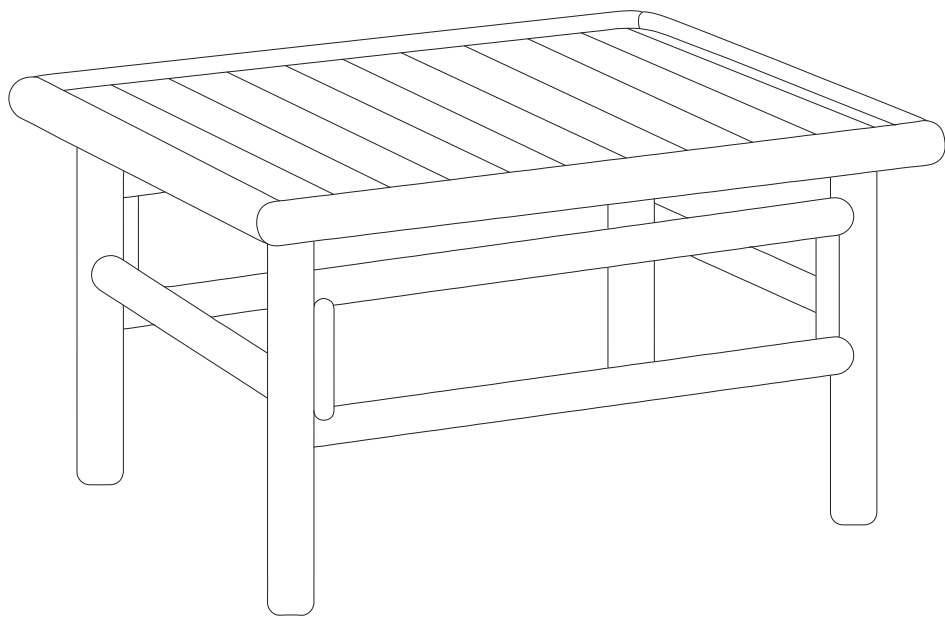


CERRETO



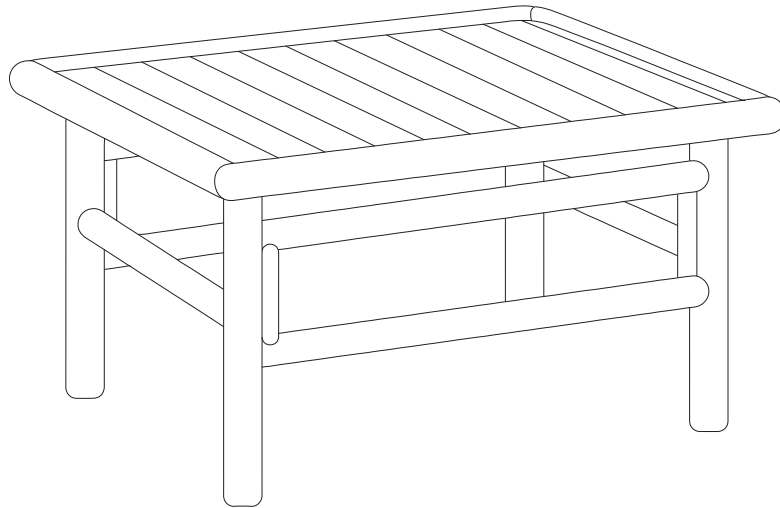
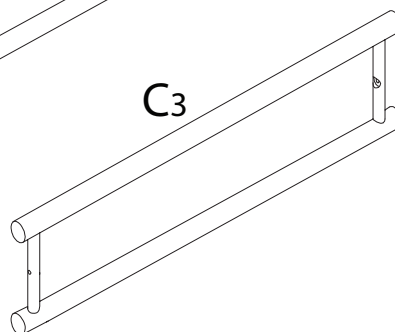
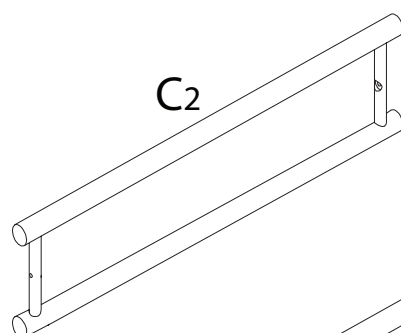
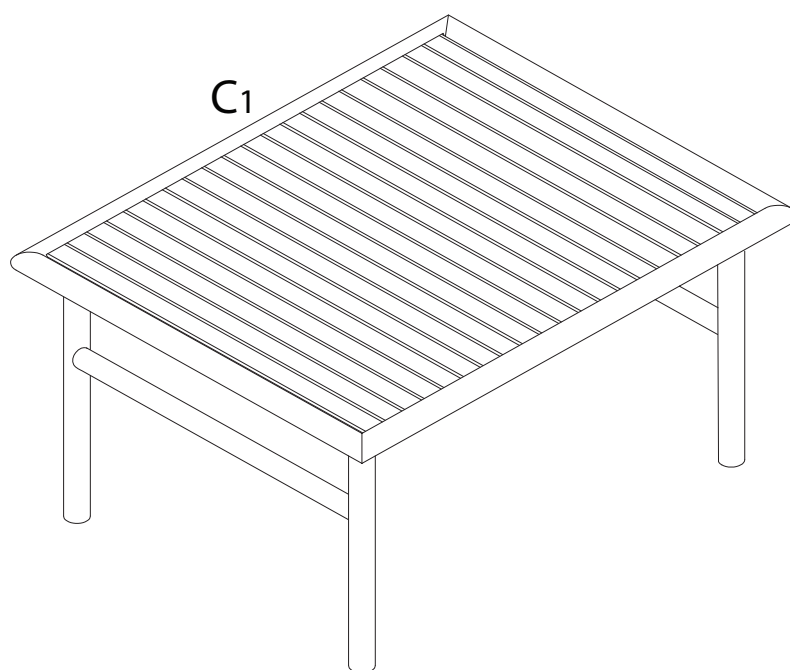
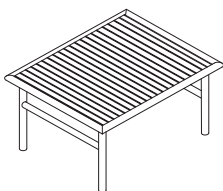
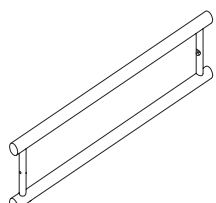
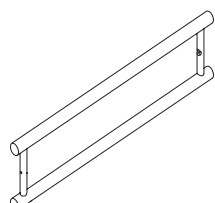
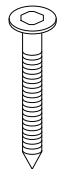
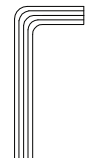


Diagram illustrating assembly steps and safety warnings:

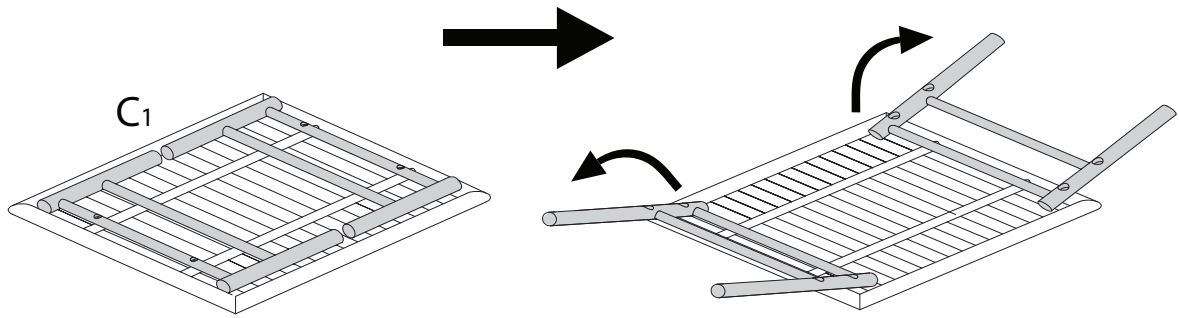
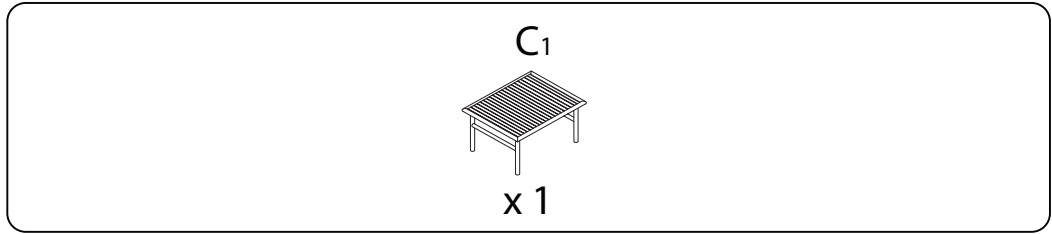
- Step 1:** Shows an L-shaped metal bracket and a power drill with a slash through it, indicating that a power drill should not be used. A warning triangle with an exclamation mark is present.
- Step 2:** Shows a rectangular block being placed on a surface and a diagram of the block with a slash through it, indicating that the block should not be cut. A warning triangle with an exclamation mark is present.
- Time:** A clock icon with a circular arrow indicates a duration of 15' (15 minutes).
- Personnel:** A person icon indicates that 1 person is required for the assembly.

1/5

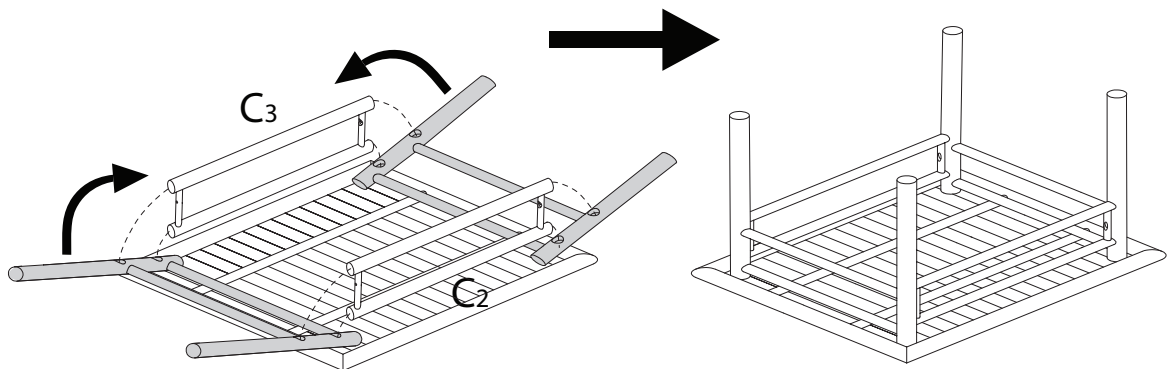
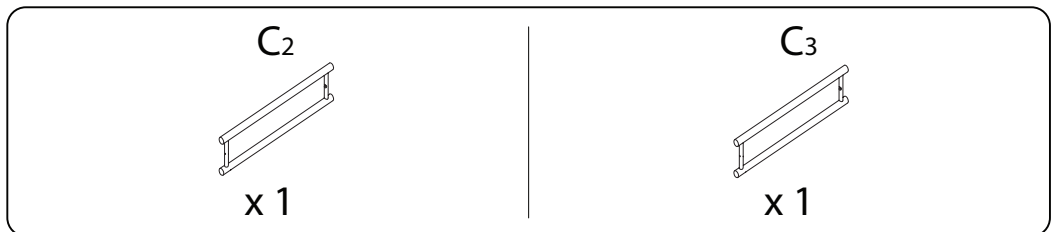


C1  x 1	C2  x 1	C3  x 1	1  M6 x 40 x 4	2  x 1
--	--	--	---	---

1



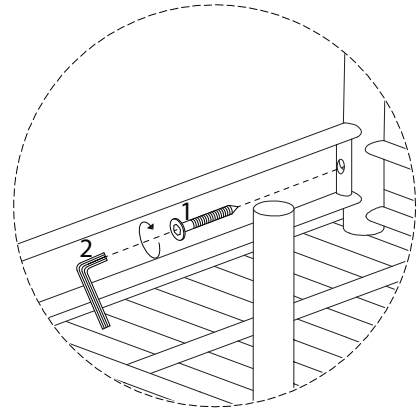
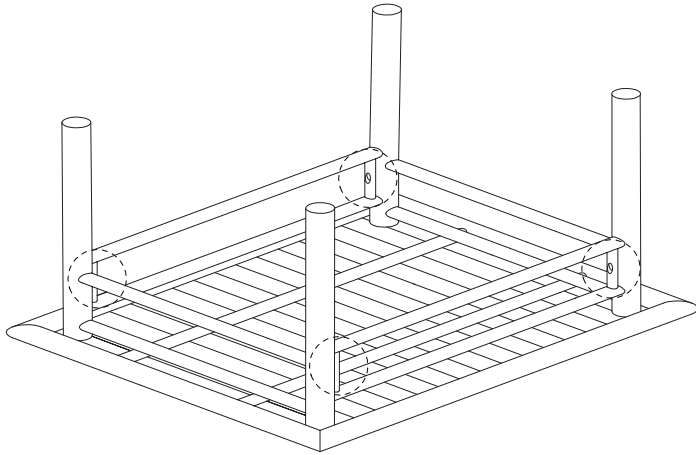
2



3

1
M6
x
40
x 4

2
x 1



!

