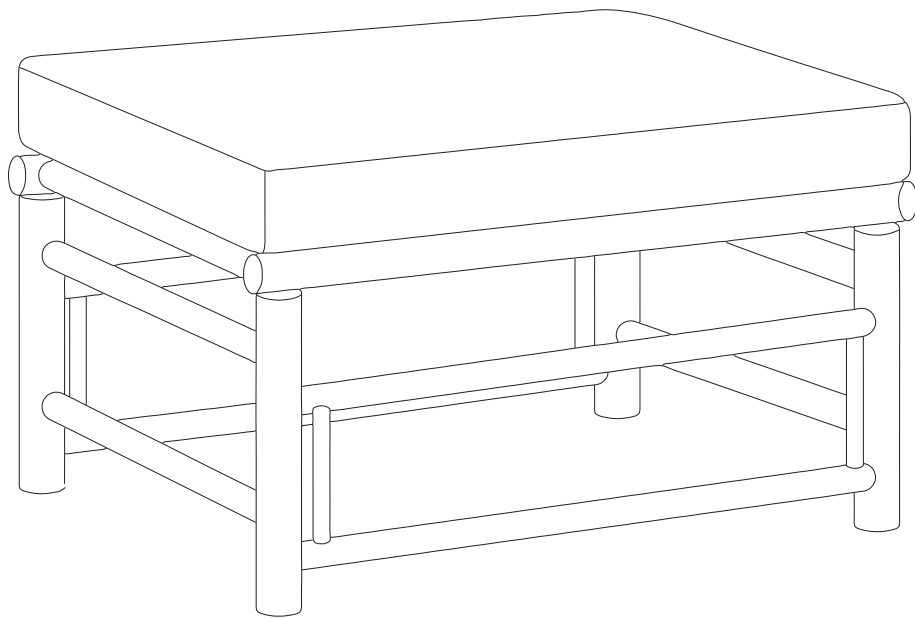


CERRETO



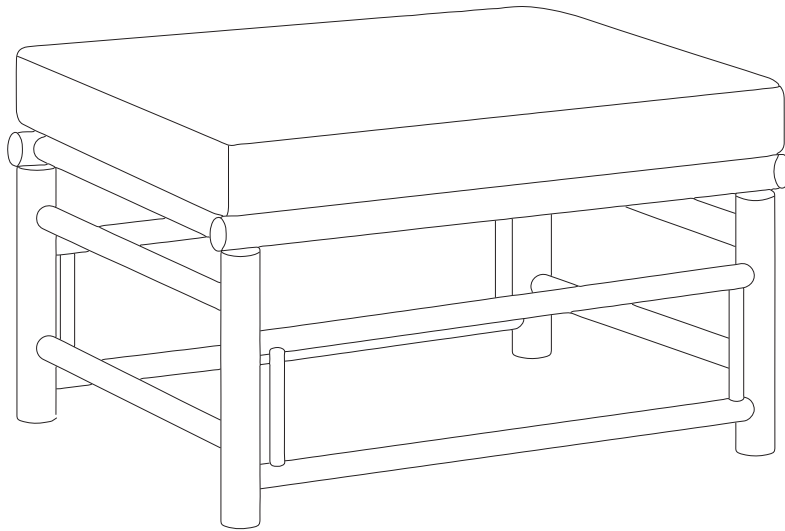
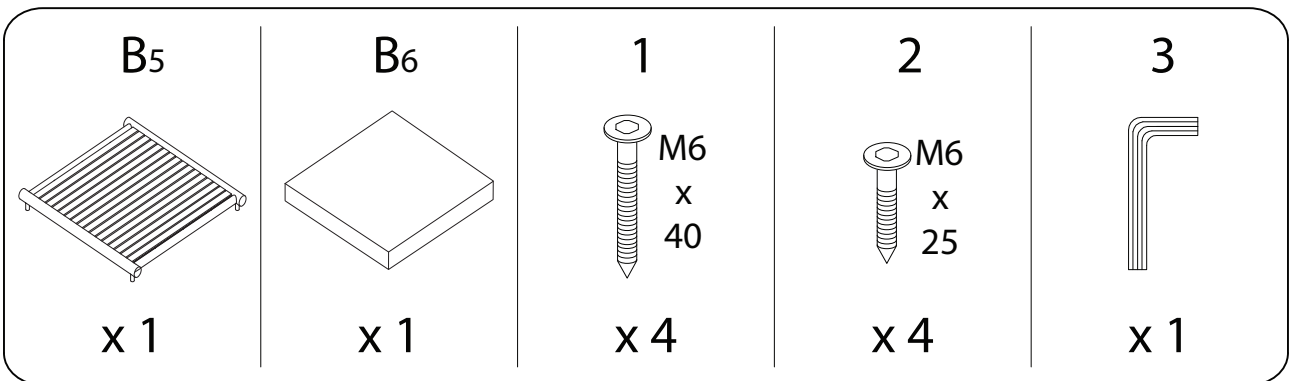
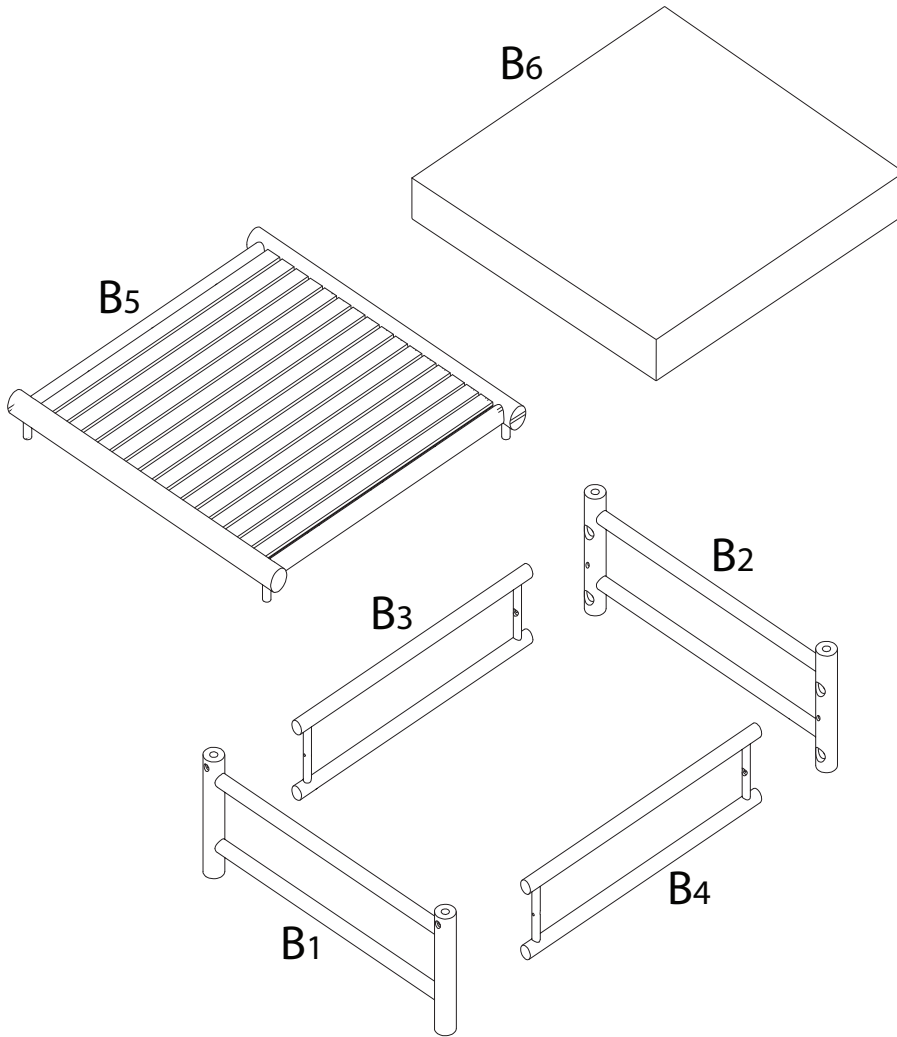
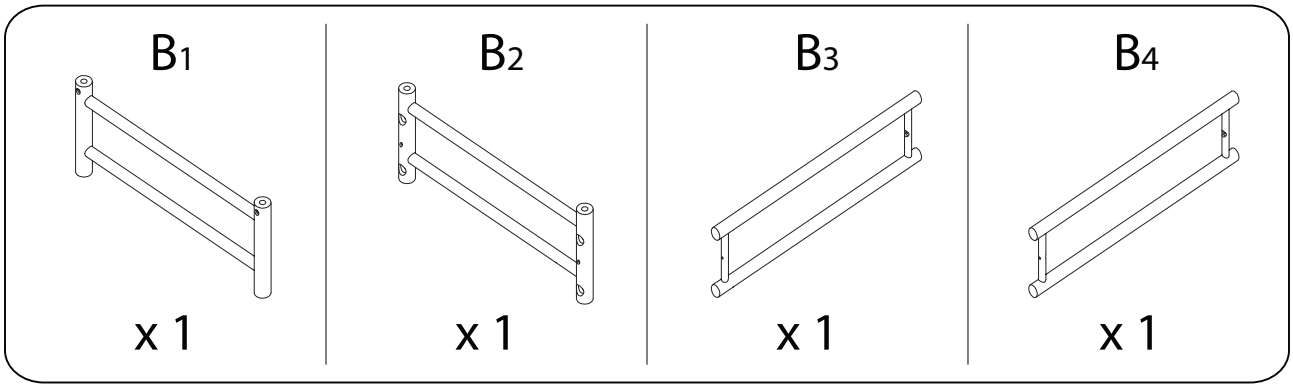
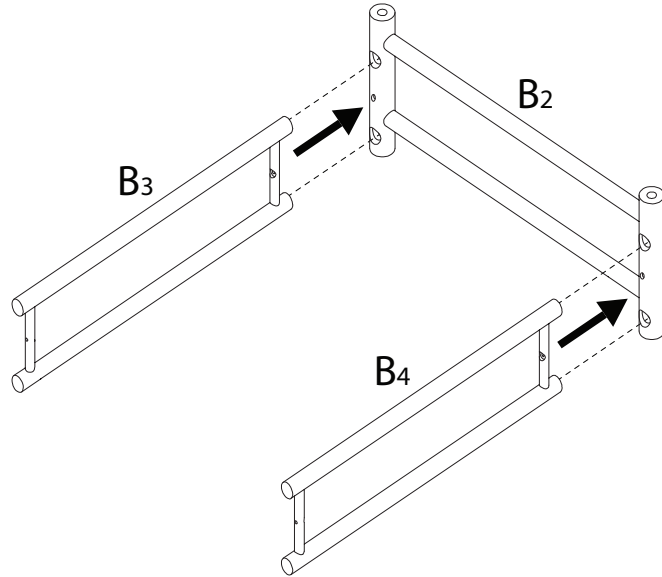
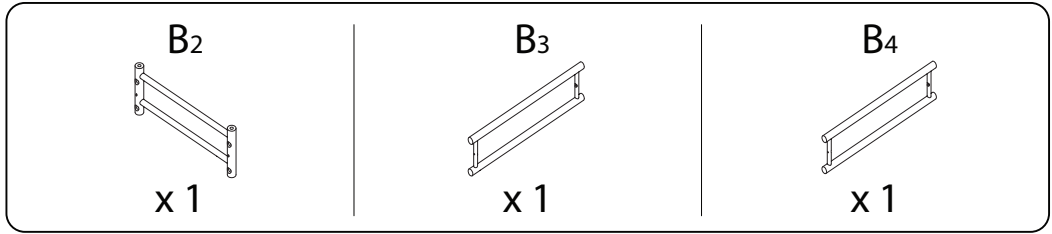


Diagram illustrating assembly steps and safety warnings:

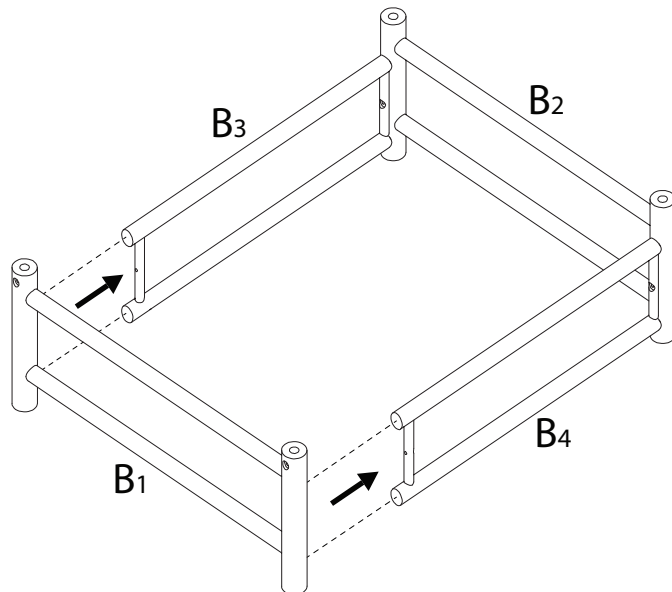
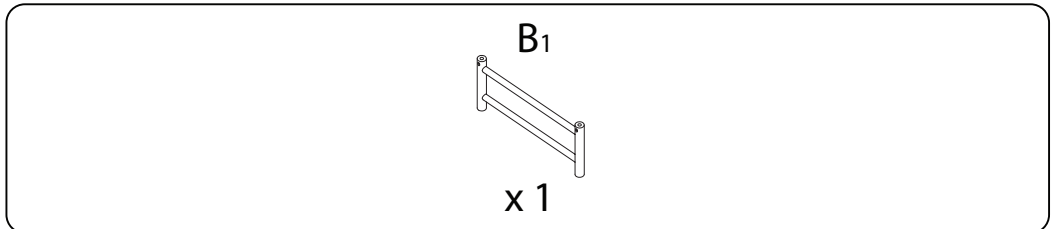
- Step 1:** Shows an L-shaped metal bracket and a power drill with a slash through it, indicating that a power drill should not be used. A warning triangle with an exclamation mark is present.
- Step 2:** Shows a rectangular block being placed on a surface and a diagram of the block being cut or split. A warning triangle with an exclamation mark is present.
- Time:** A clock icon with a circular arrow indicates a duration of 15 minutes.
- Personnel:** An icon of a person indicates that 1 person is required for the task.



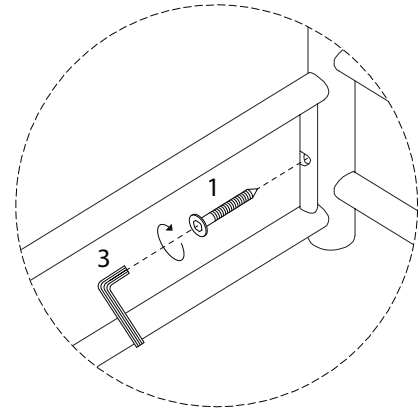
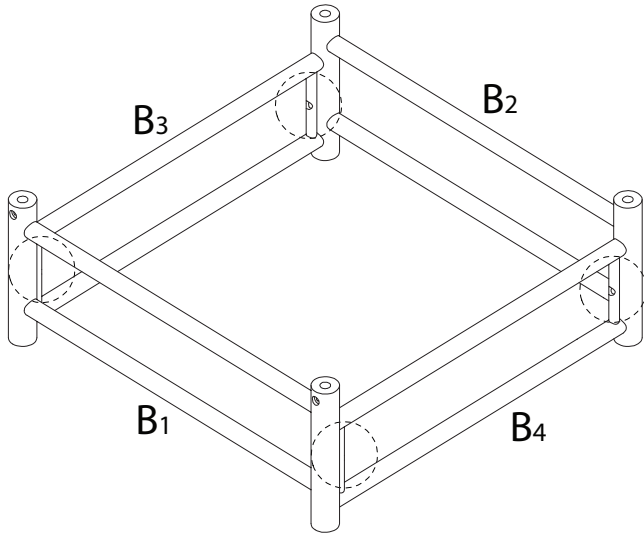
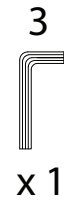
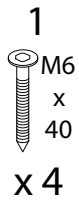
1



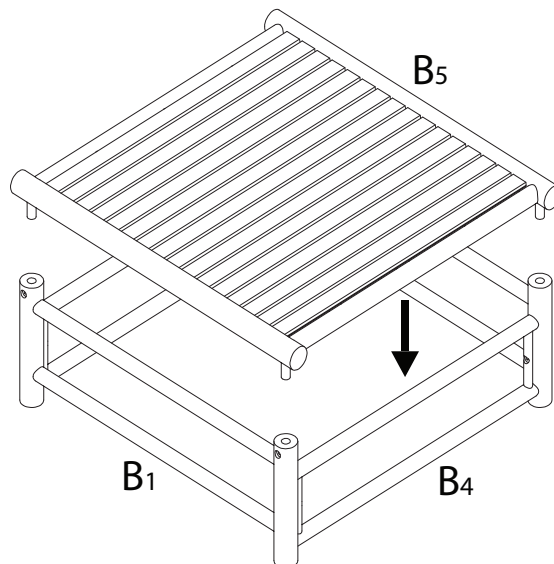
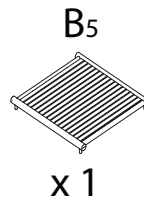
2



3



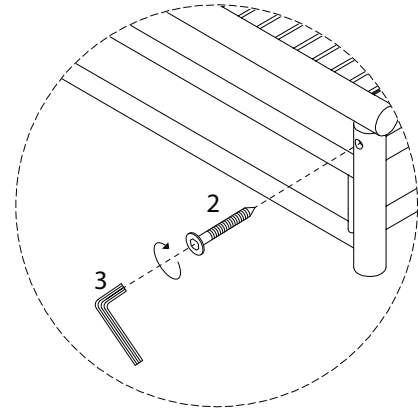
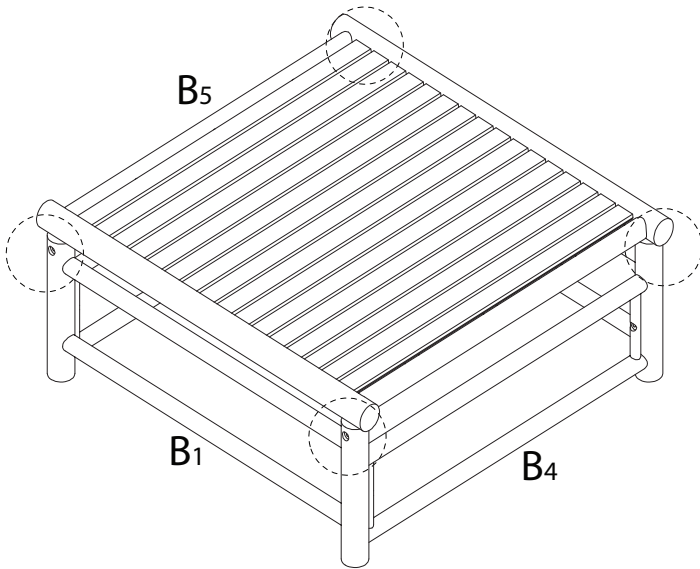
4



5

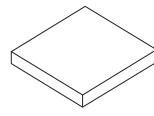
2
M6
x
60
x 4

3
x 1

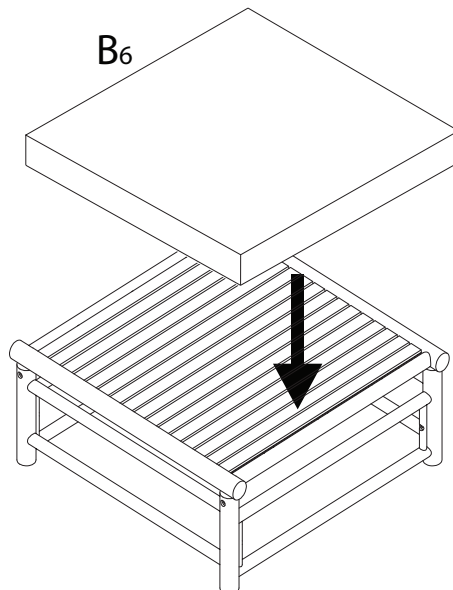


6

B6



x 1



!

