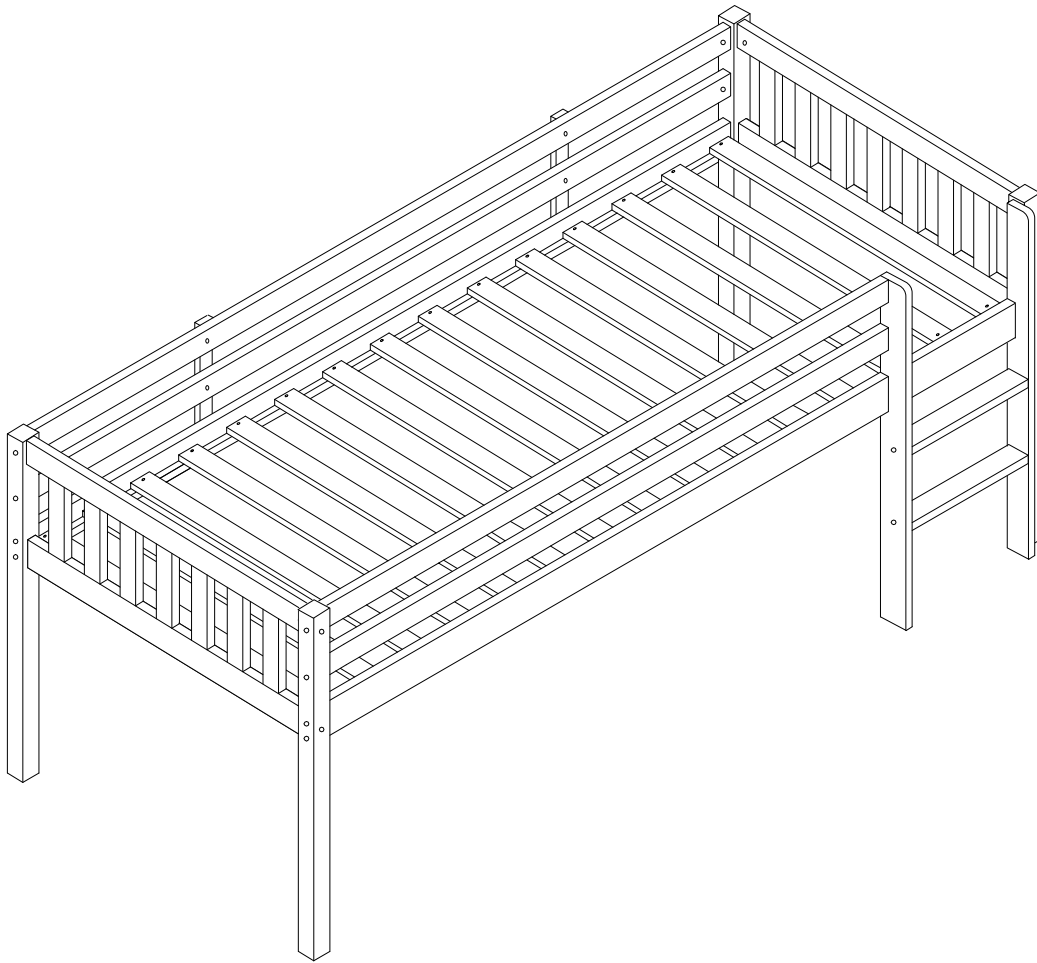
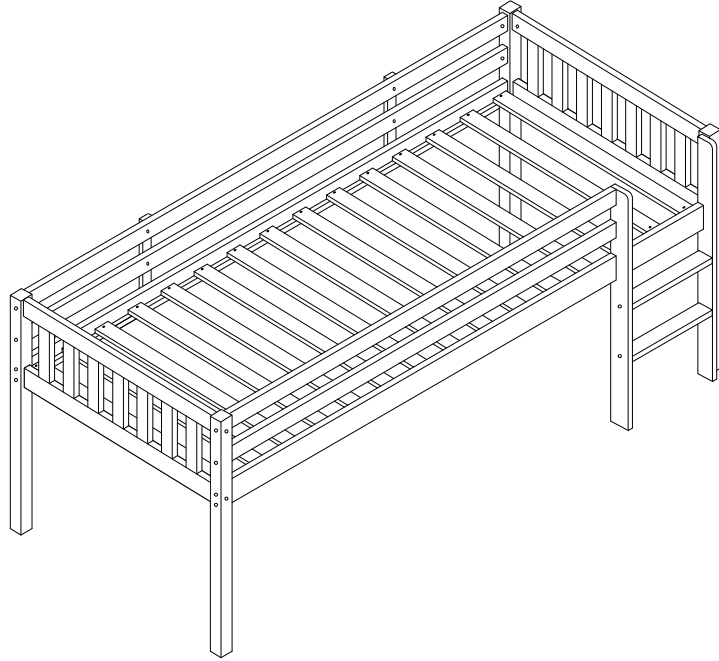
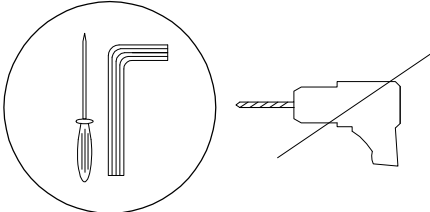

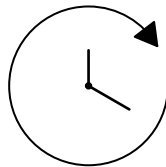
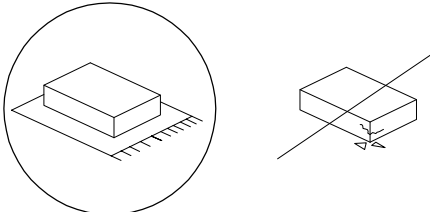


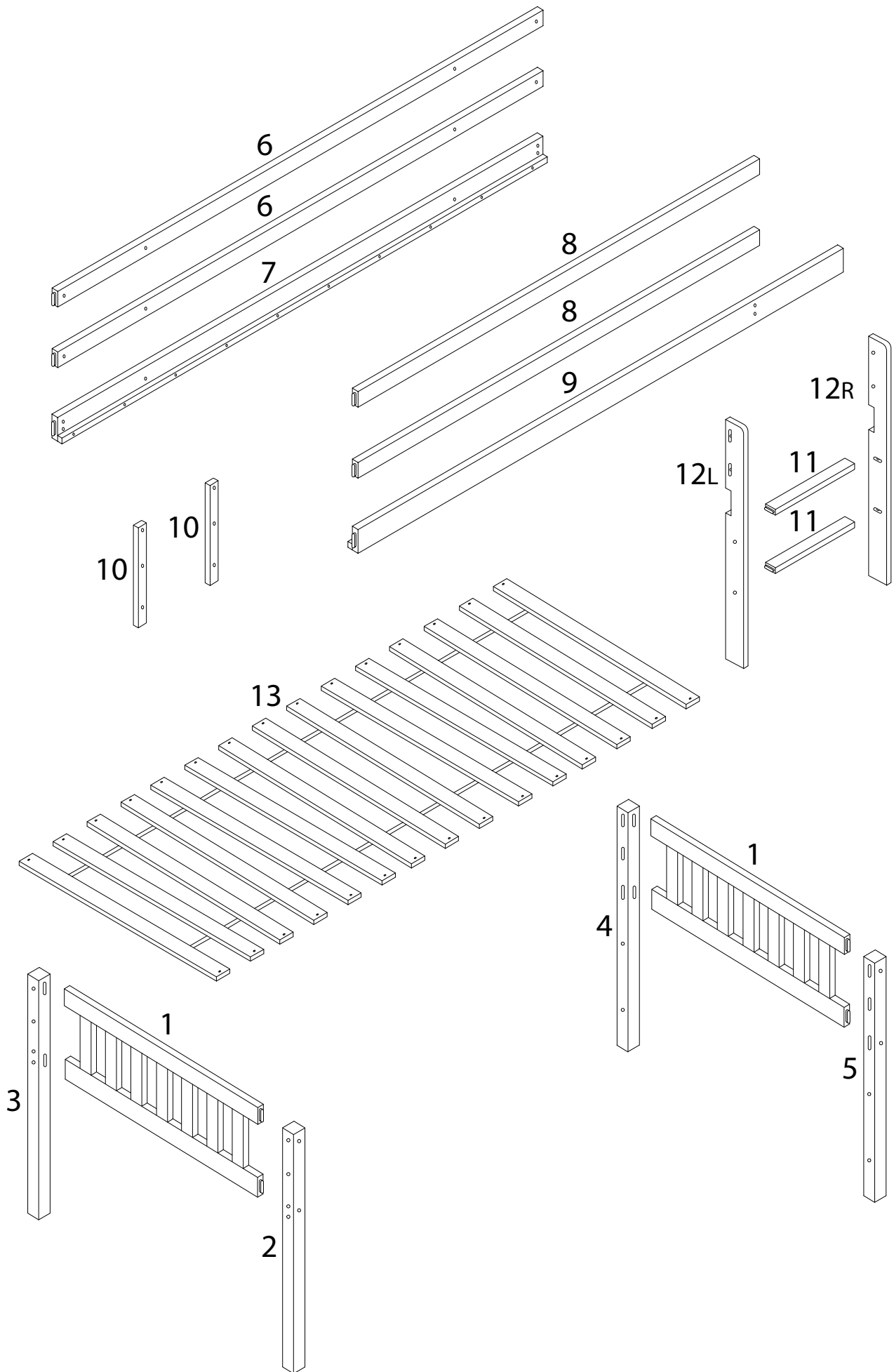


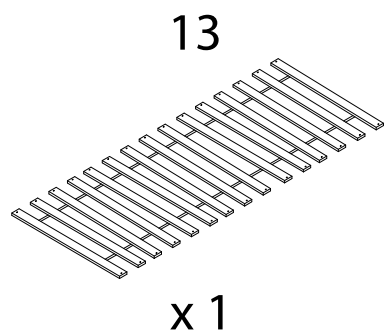
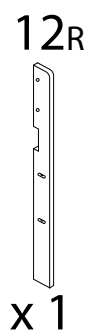
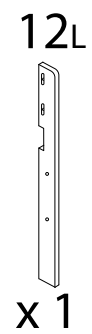
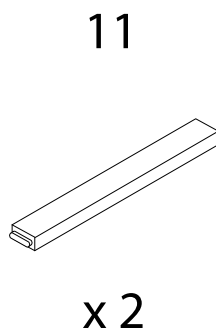
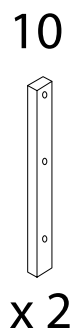
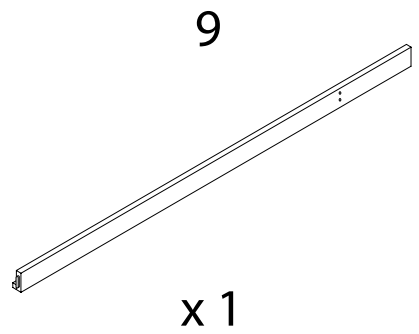
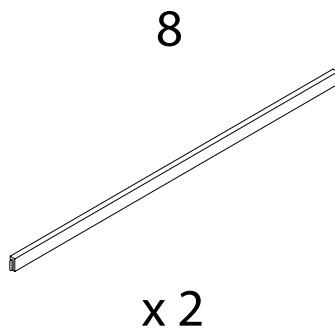
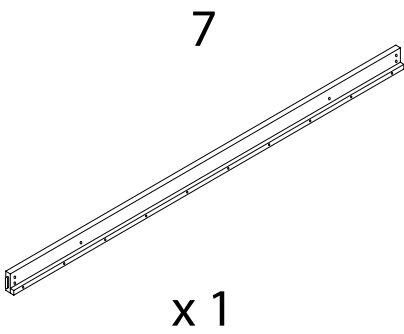
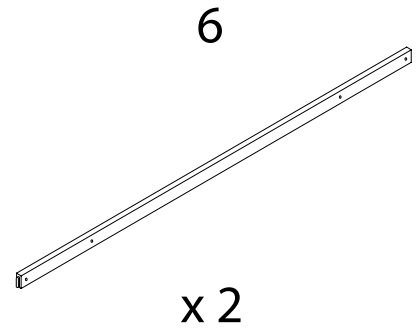
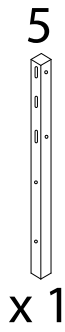
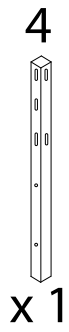
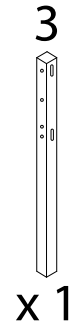
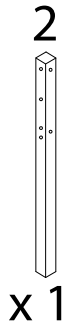
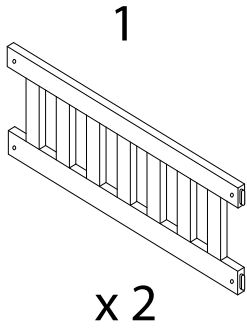
PEIPIN

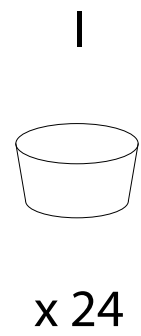
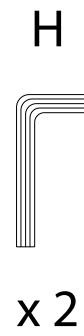
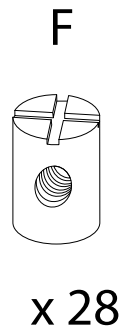
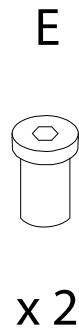
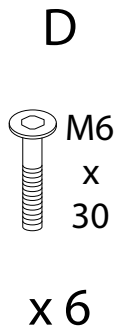
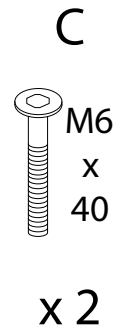
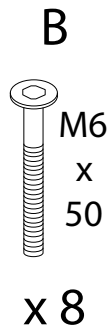
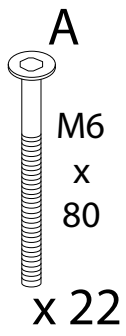




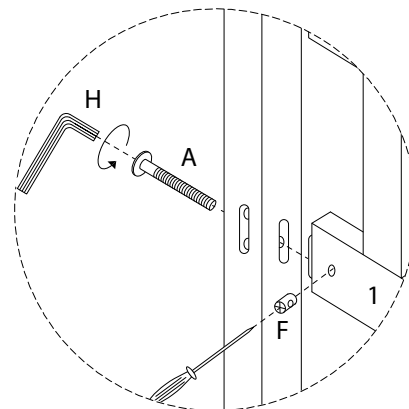
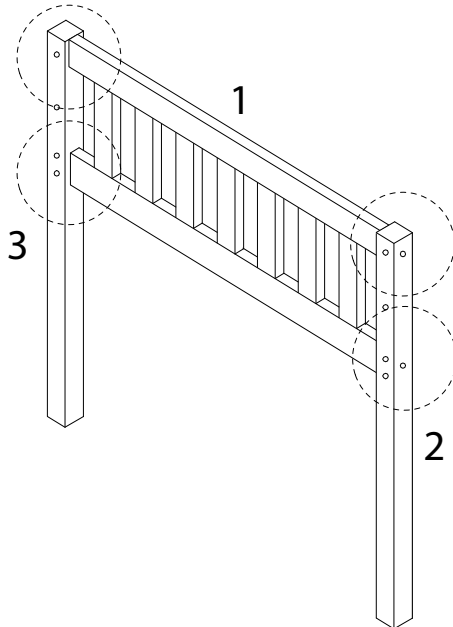
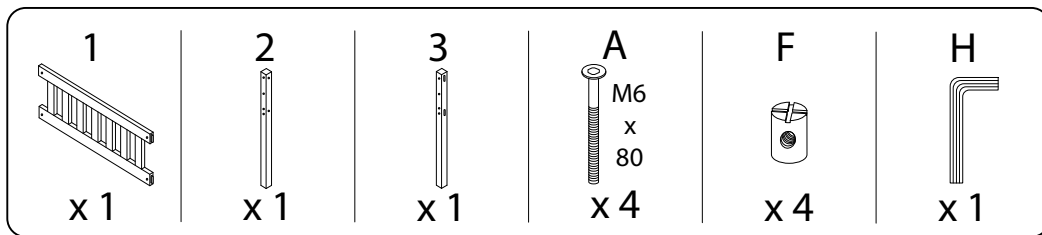
		
		<p>40'</p>
		
		<p>2</p>



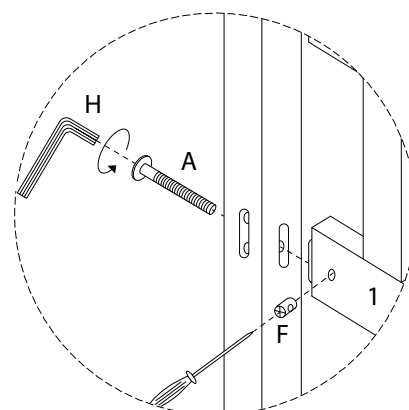
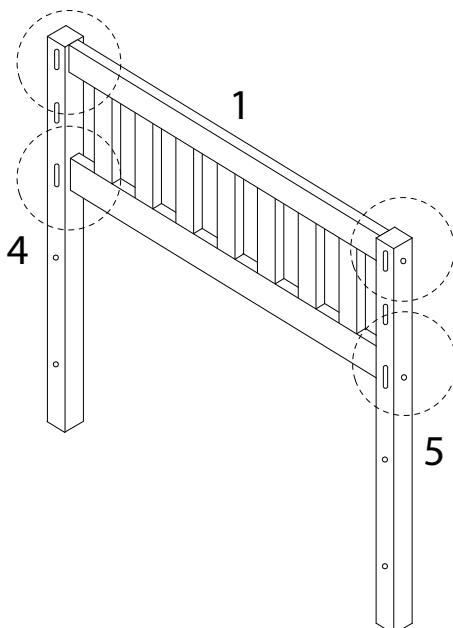
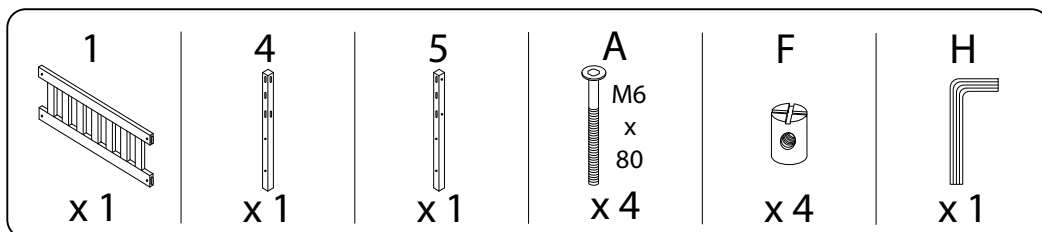




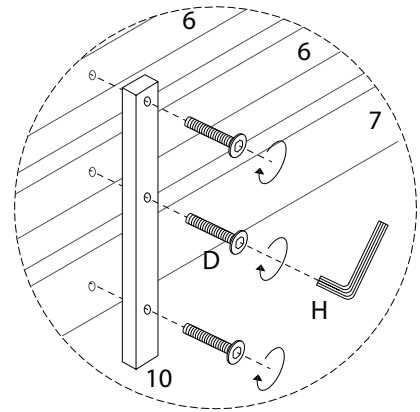
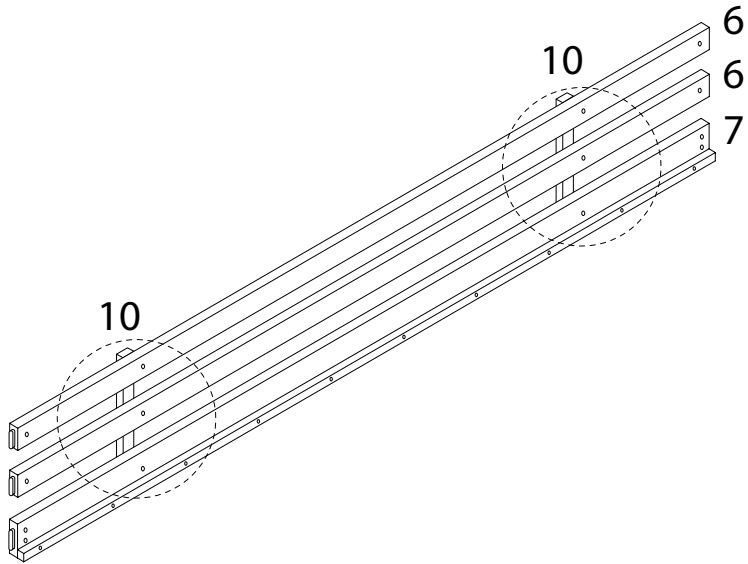
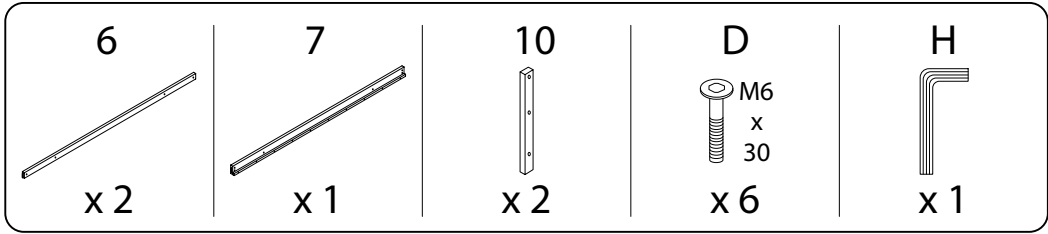
1



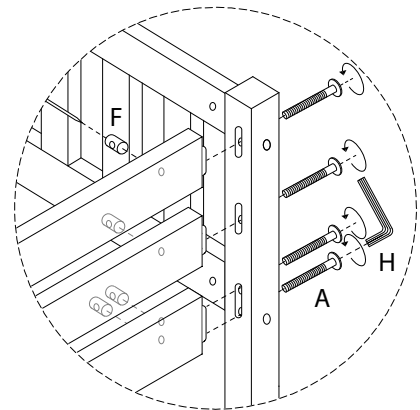
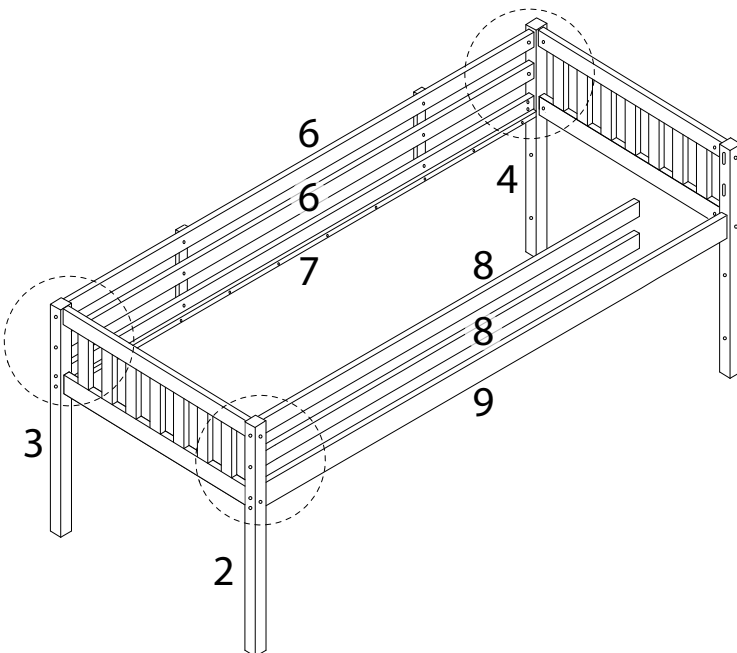
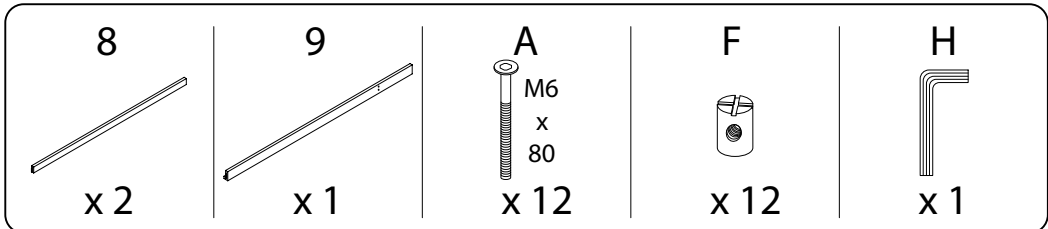
2



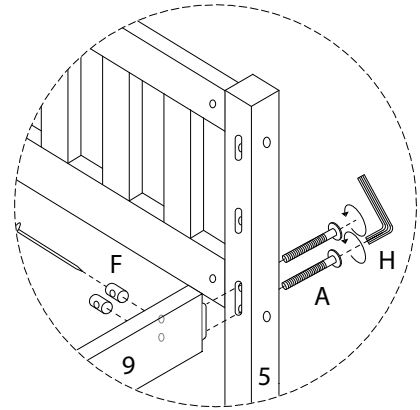
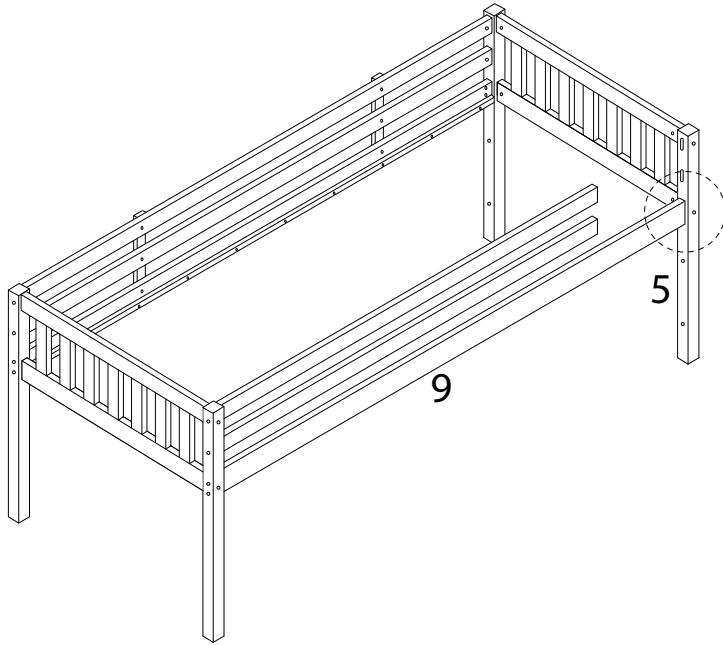
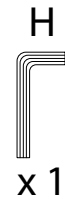
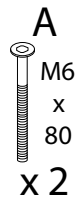
3



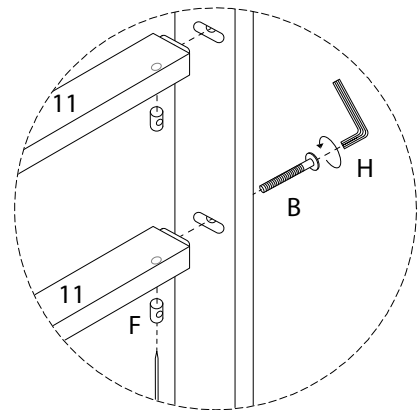
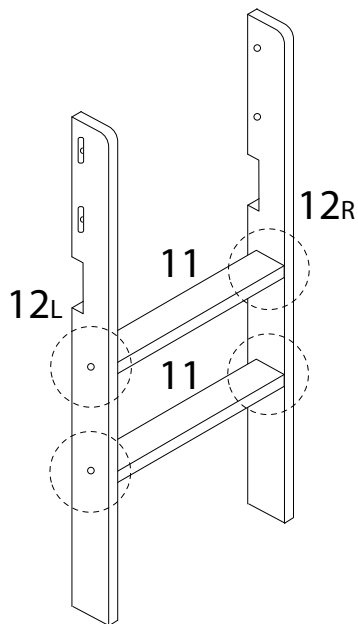
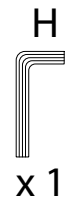
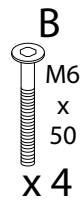
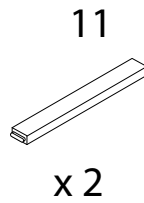
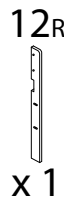
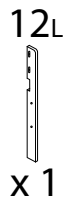
4



5



6

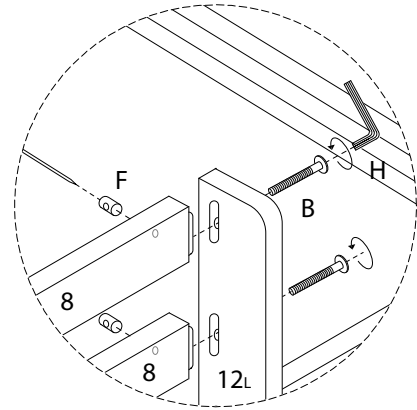
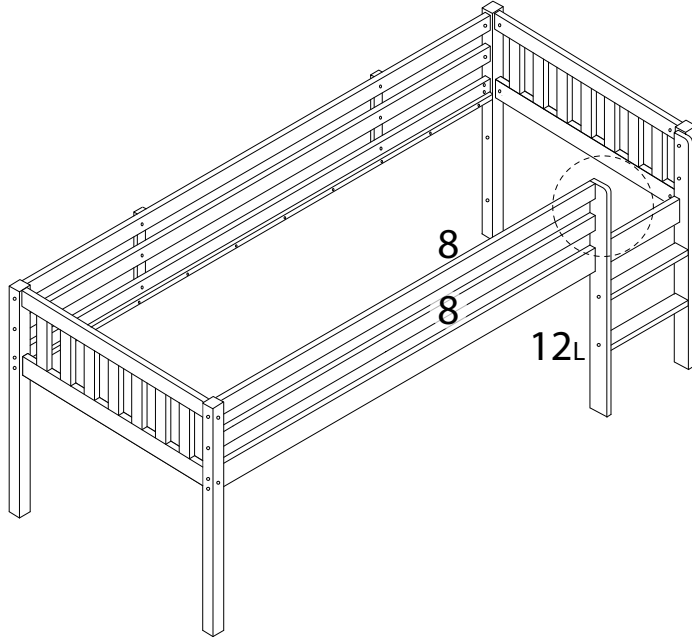


7

B
M6
x
50
x 2

F
x 2

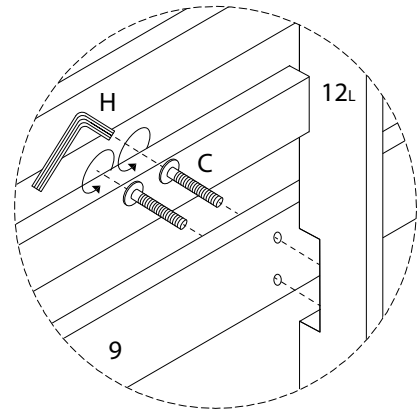
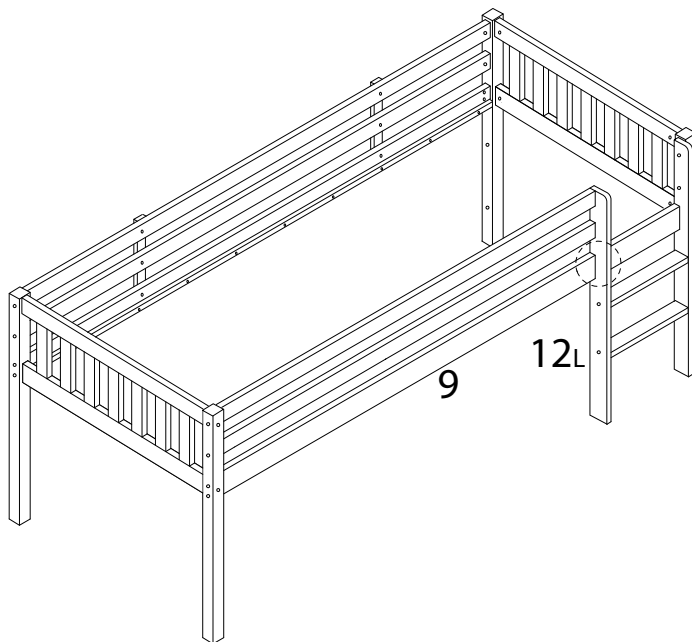
H
x 1



8

C
M6
x
40
x 2

H
x 1

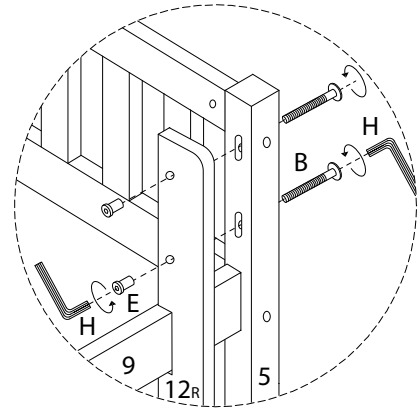
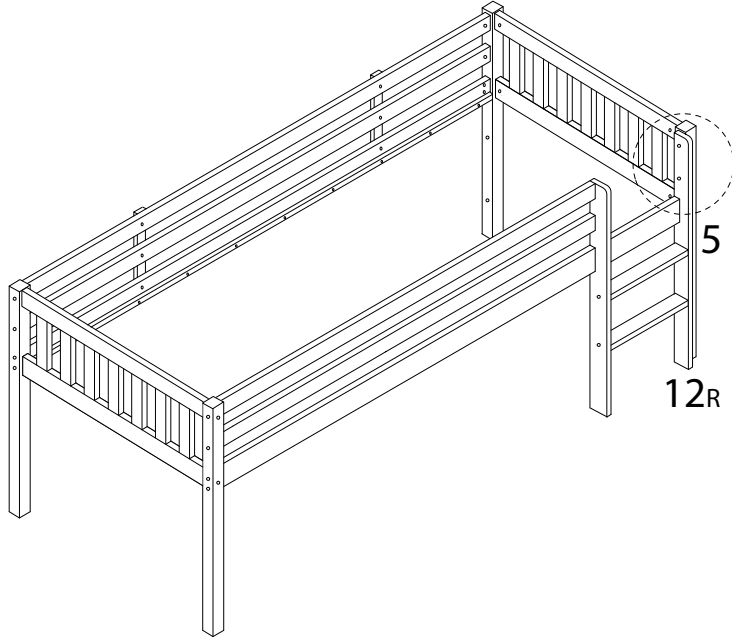


9

B
M6
x
50
x 2

E
x 2

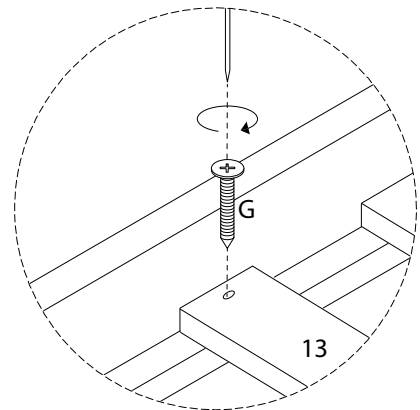
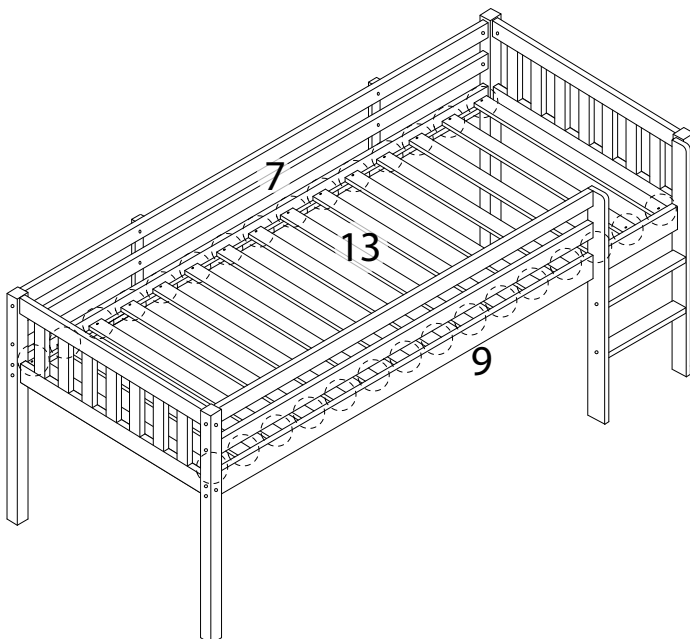
H
x 2



10

13
x 1

G
M8
x
25
x 30



11

I



x 24

