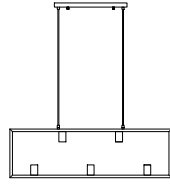


Diagram illustrating safety and installation requirements:

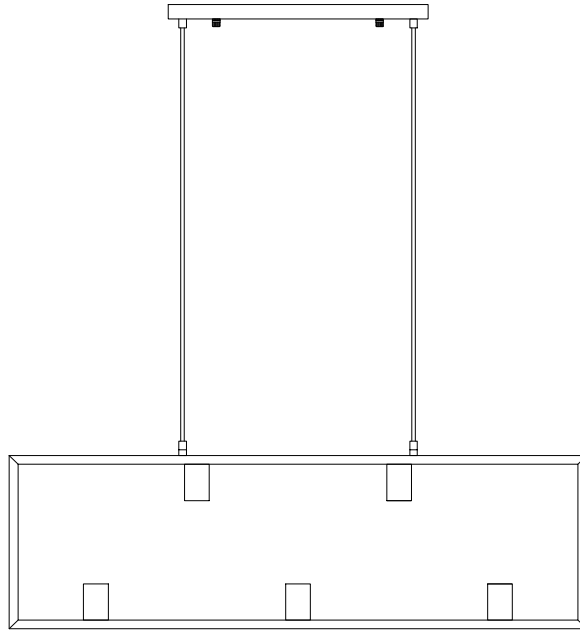
- Drill:** A circular icon containing a drill bit, indicating that drilling is required for installation.
- Warning:** A triangular warning symbol with an exclamation mark, indicating a safety hazard.
- Time:** A clock icon with the text "20'", indicating a 20-minute installation time.
- Warning:** A triangular warning symbol with an exclamation mark and a lightning bolt, indicating an electrical hazard.
- Person:** A stick figure icon with the text "1", indicating that one person is required for installation.

A

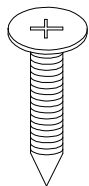


x 1

A

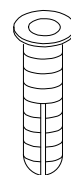


B



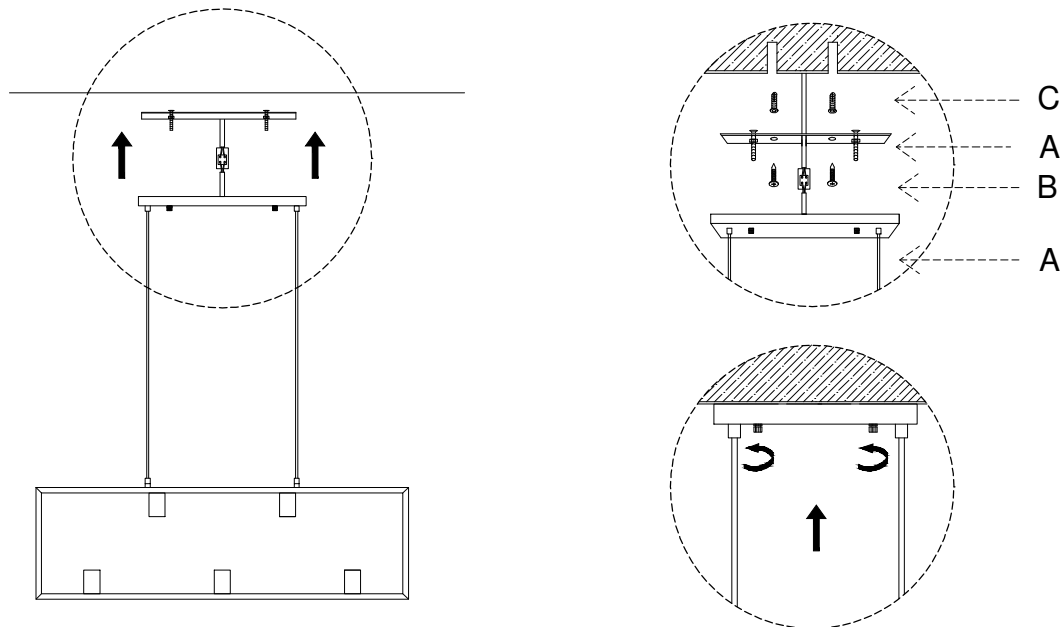
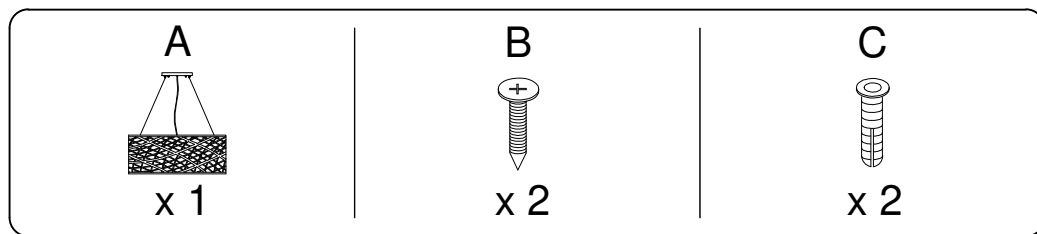
x 2

C



x 2

1



2

