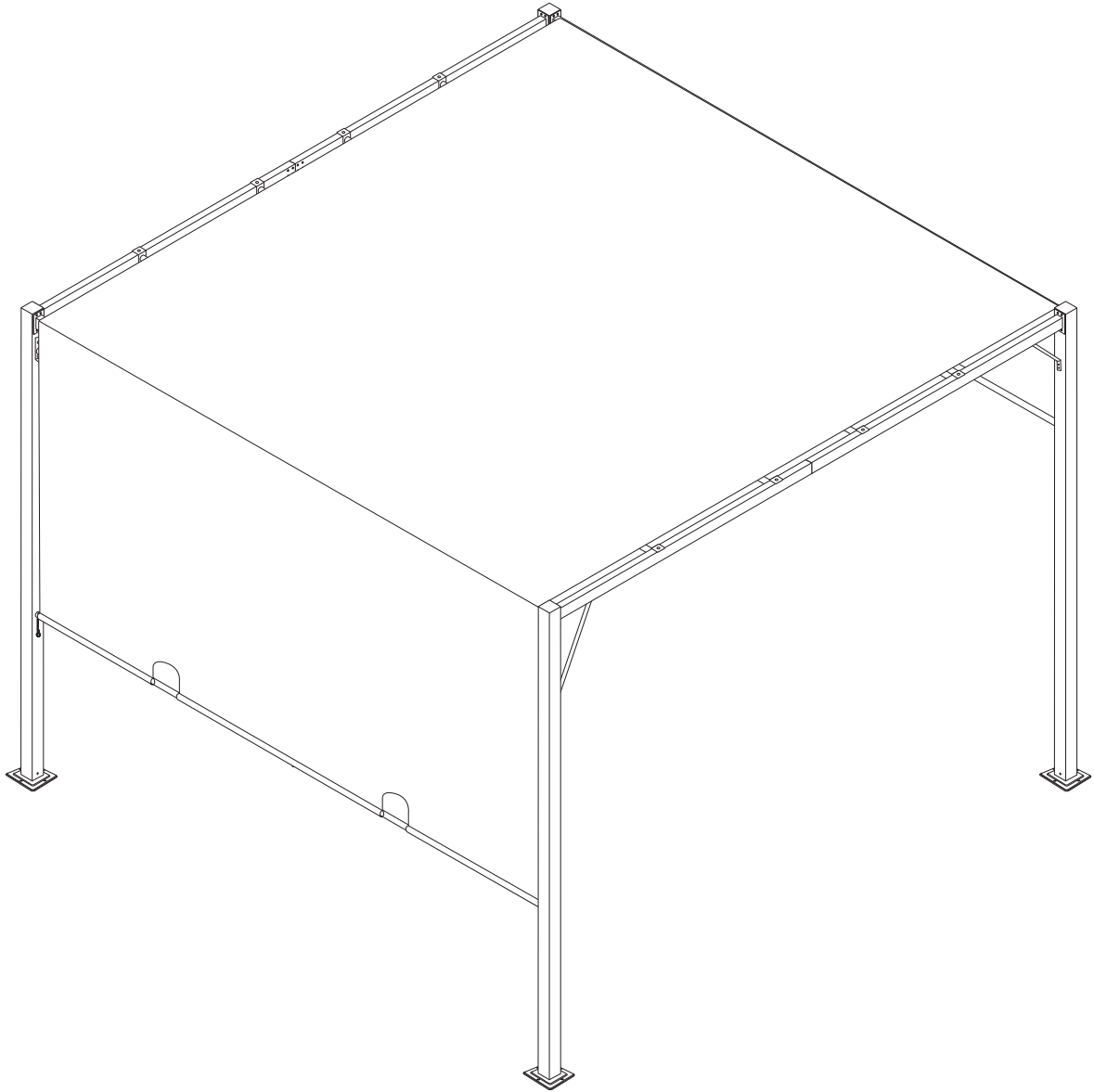
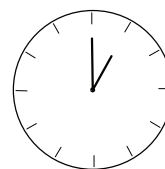
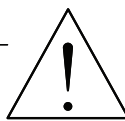
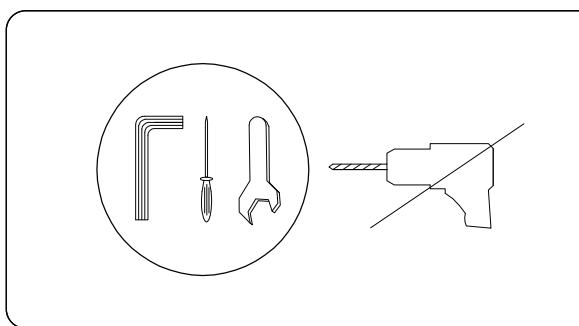
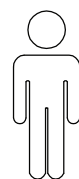
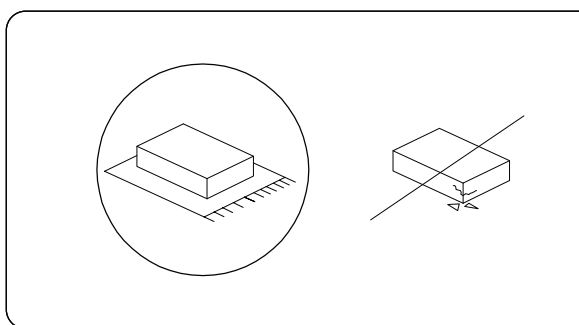


# PARGA

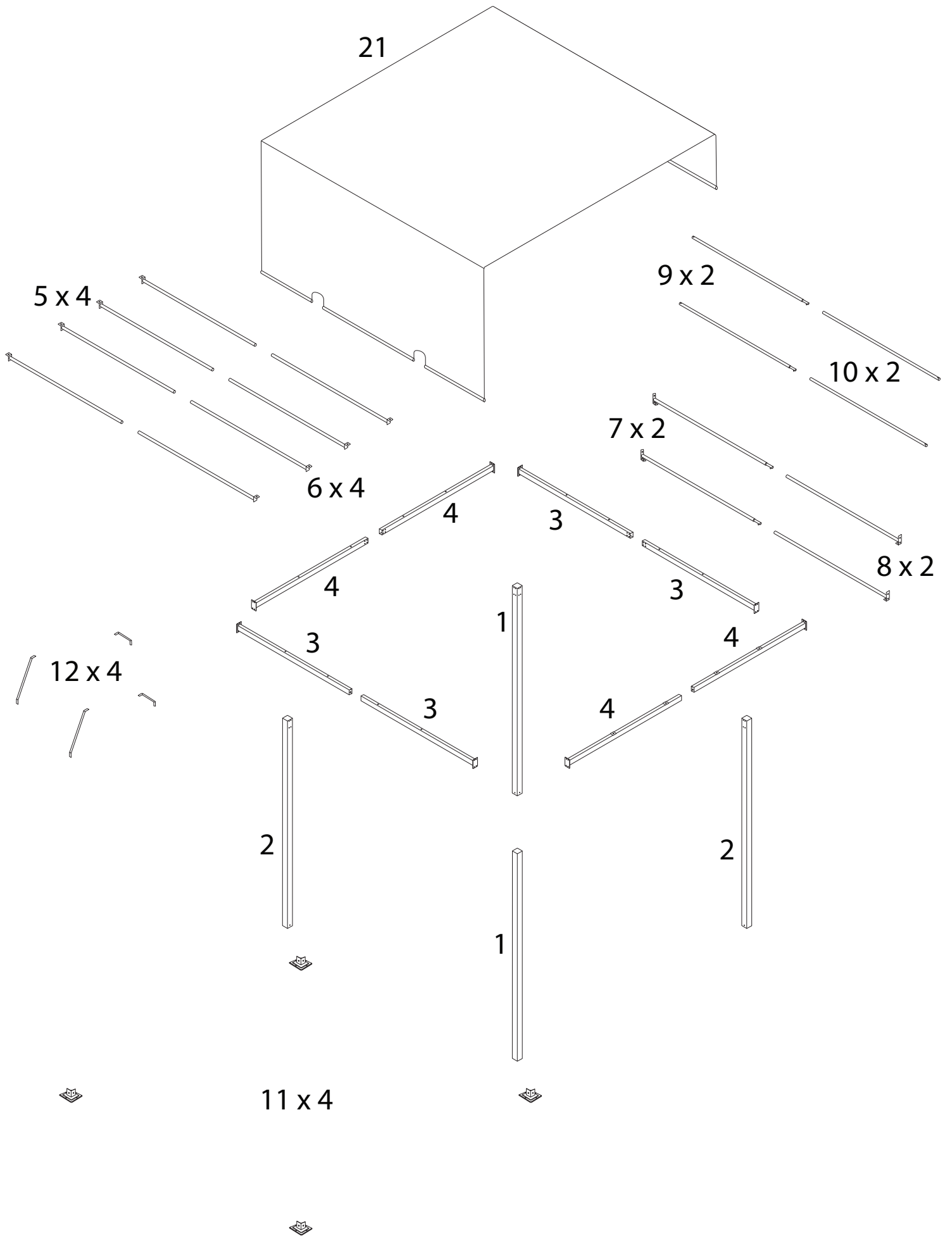




60'



3



1



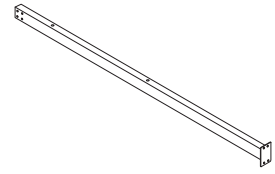
x 2

2



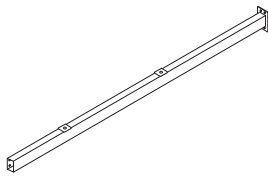
x 2

3



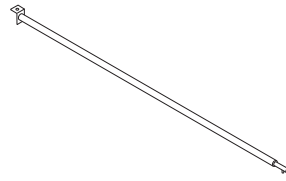
x 4

4



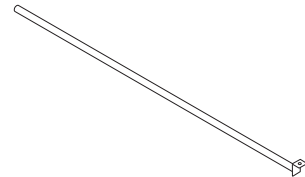
x 4

5



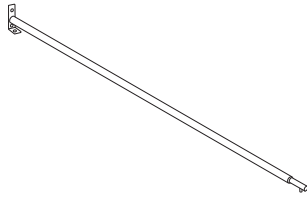
x 4

6



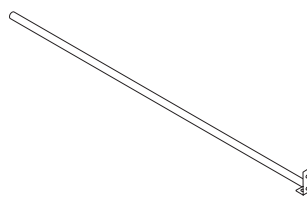
x 4

7



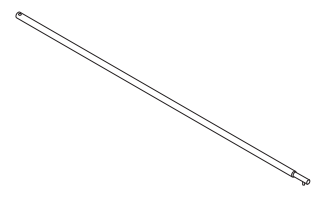
x 2

8



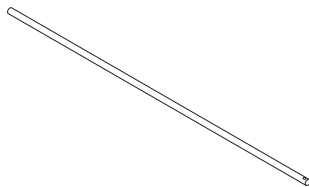
x 2

9



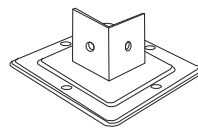
x 2

10



x 2

11



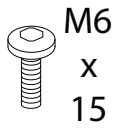
x 4

12



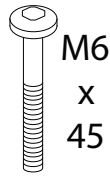
x 4

13



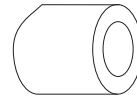
x 64

14



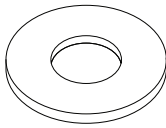
x 4

15



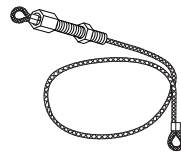
x 4

16



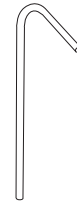
x 4

17



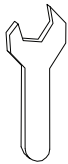
x 4

18



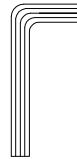
x 8

19



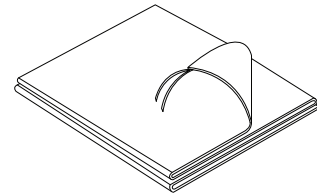
x 2

20



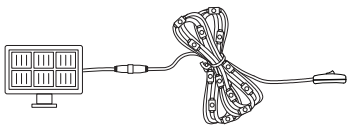
x 2

21



x 1

22a



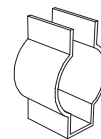
x 1

22b



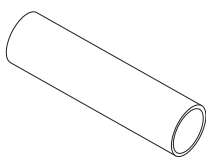
x 1

23



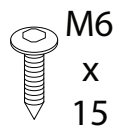
x 60

24



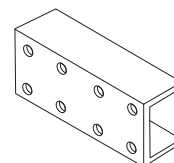
x 6

25



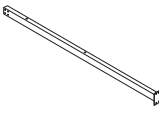
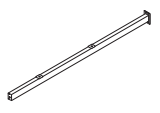
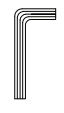

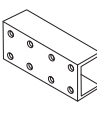
x 72

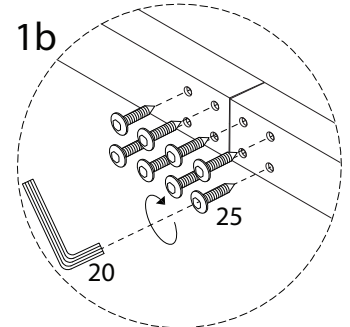
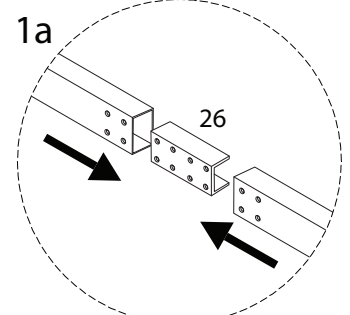
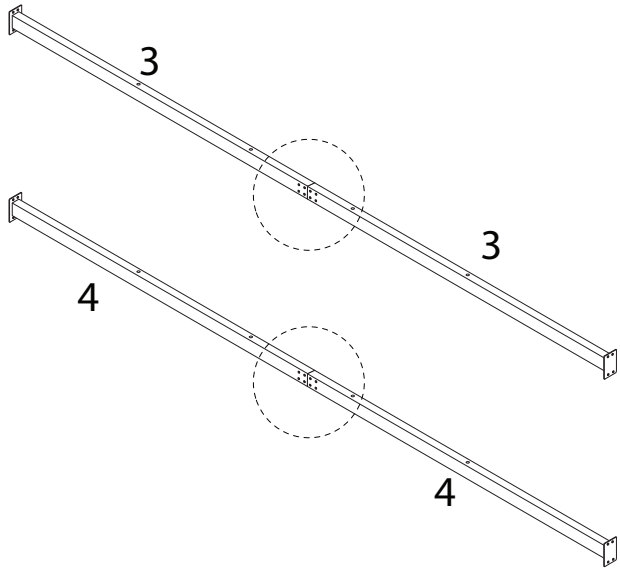
26






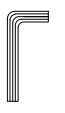
x 8

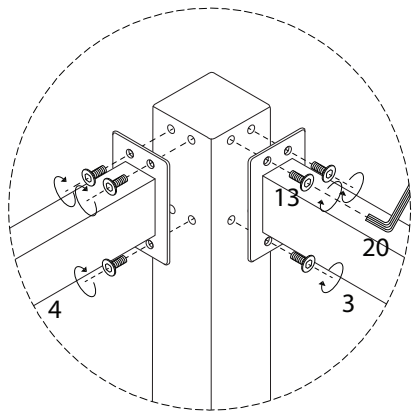
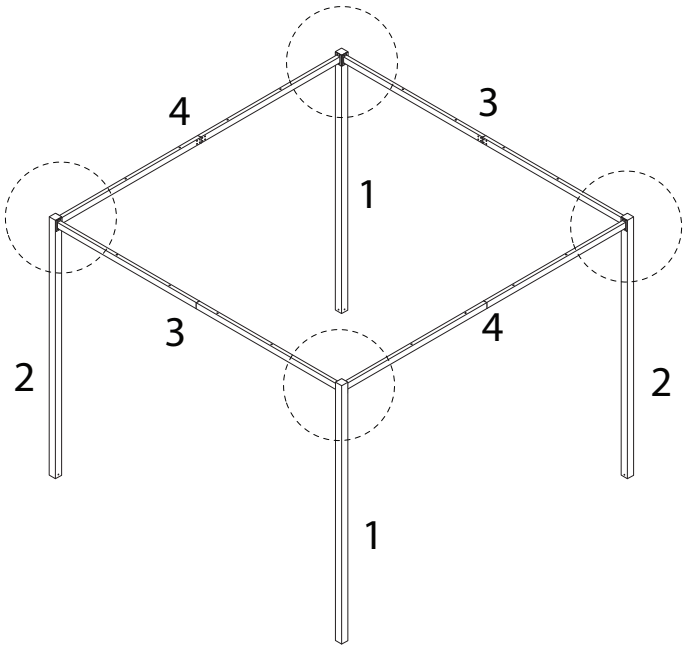
1 x 2

3  x 2	4  x 2	20  x 1	25  M6 x 15 x 16	26  x 2
---	---	--	--	--

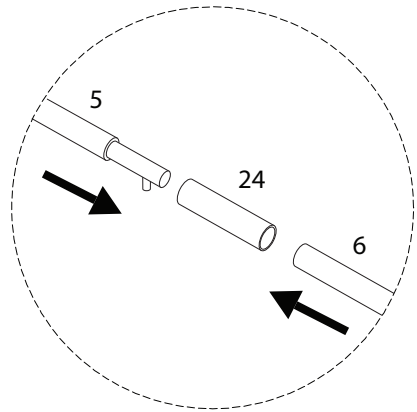
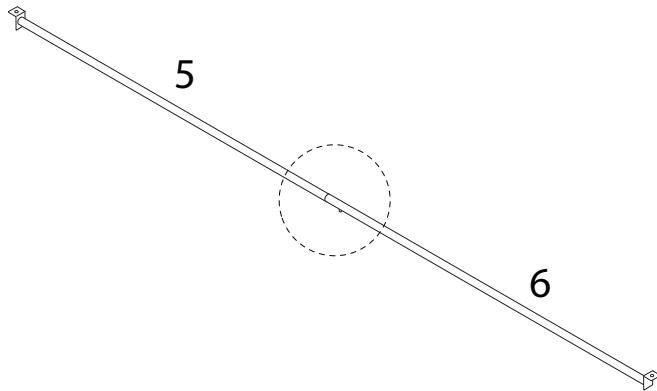
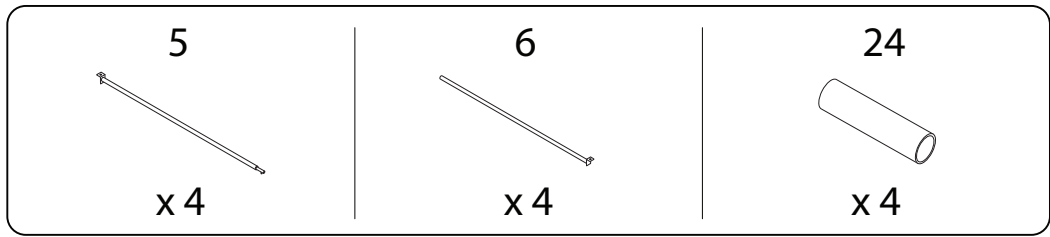


2

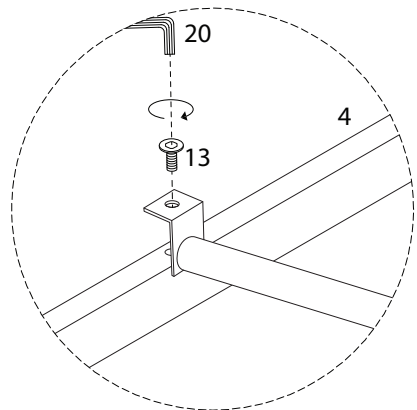
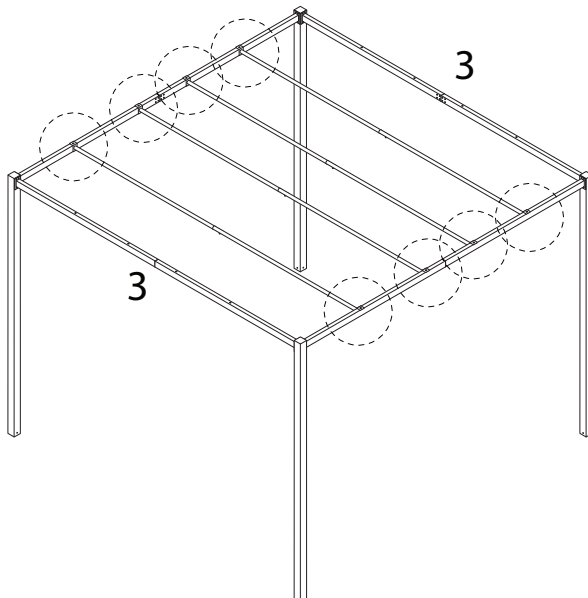
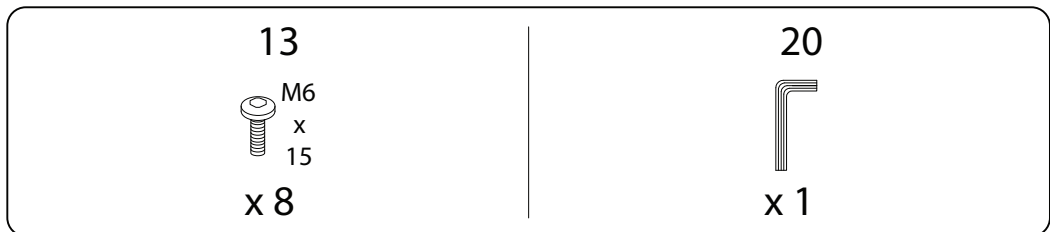
1  x 2	2  x 2	13  M6 x 15 x 32	20  x 1
---	---	---	--



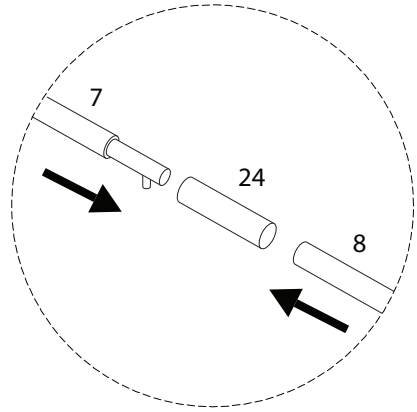
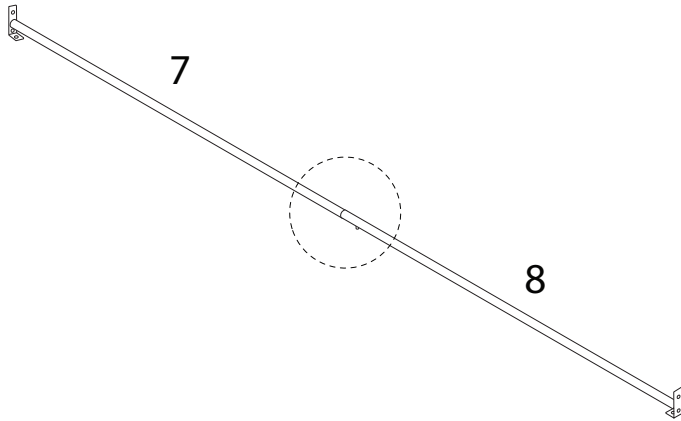
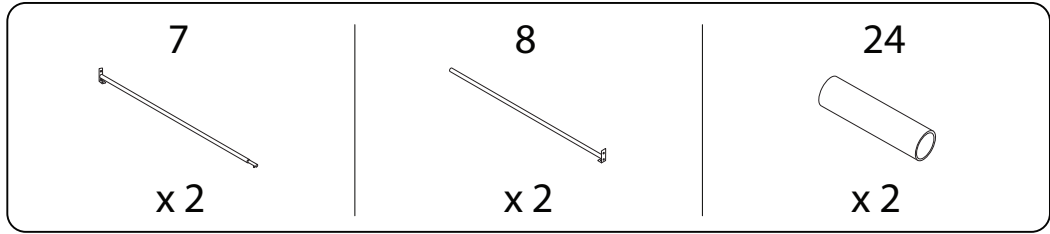
3 x 4



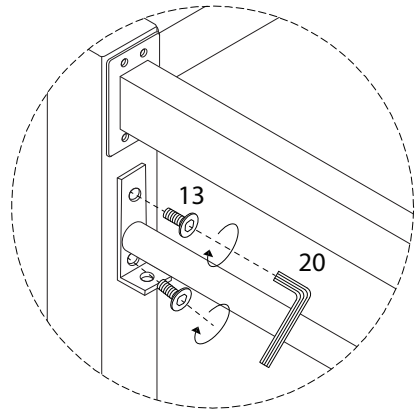
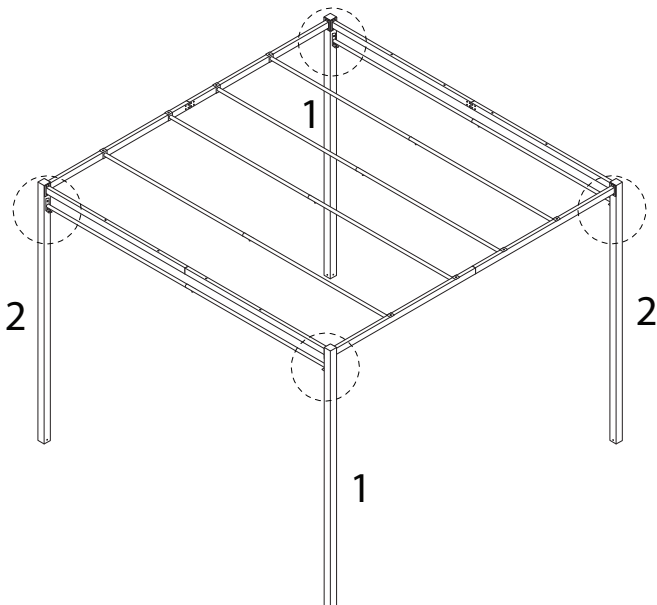
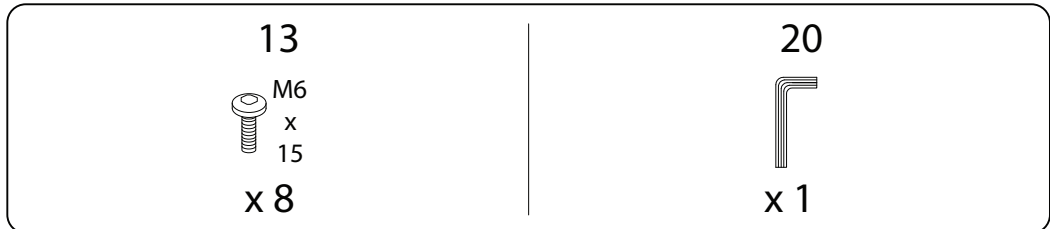
4



5 x 2

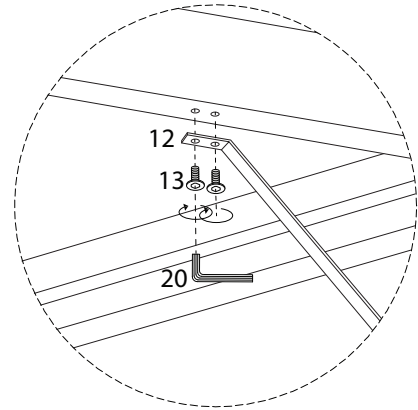
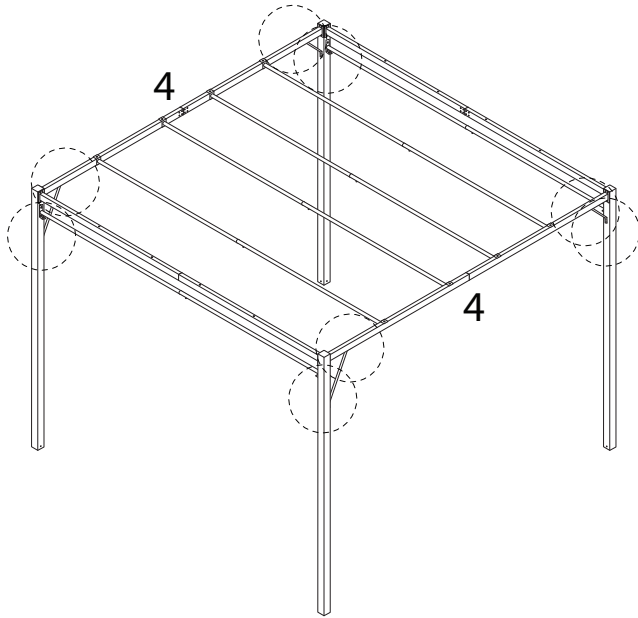
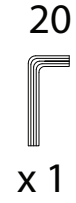
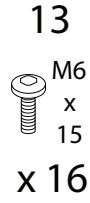


6

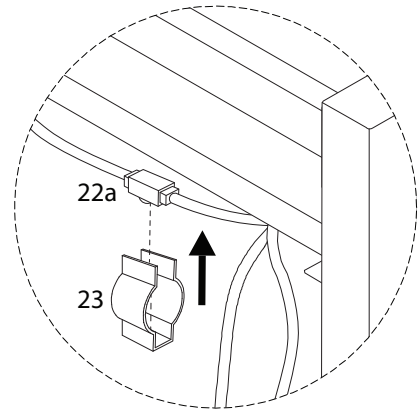
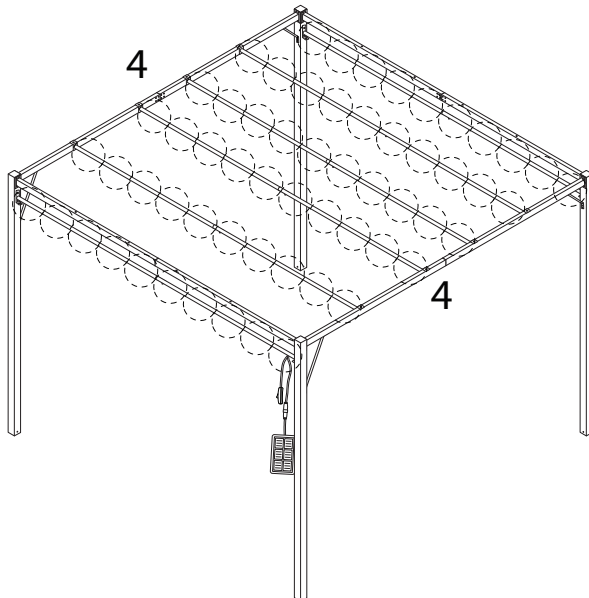
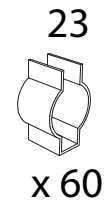
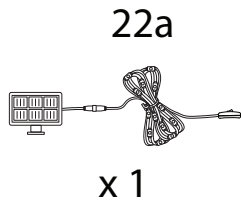




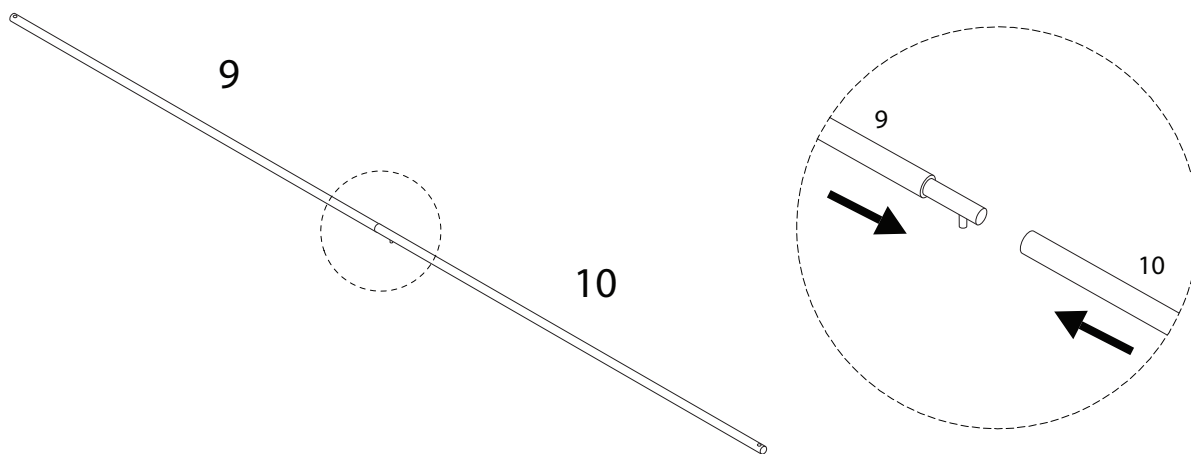
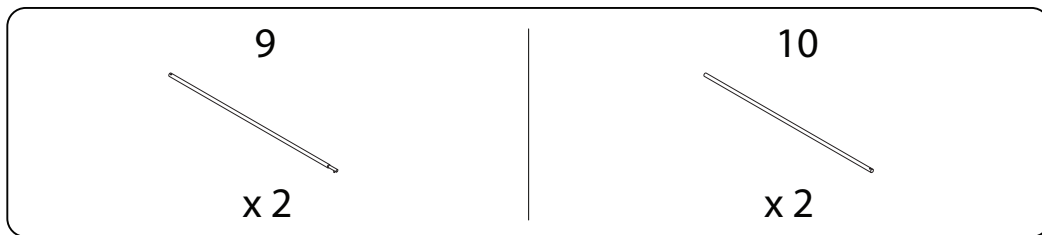
7



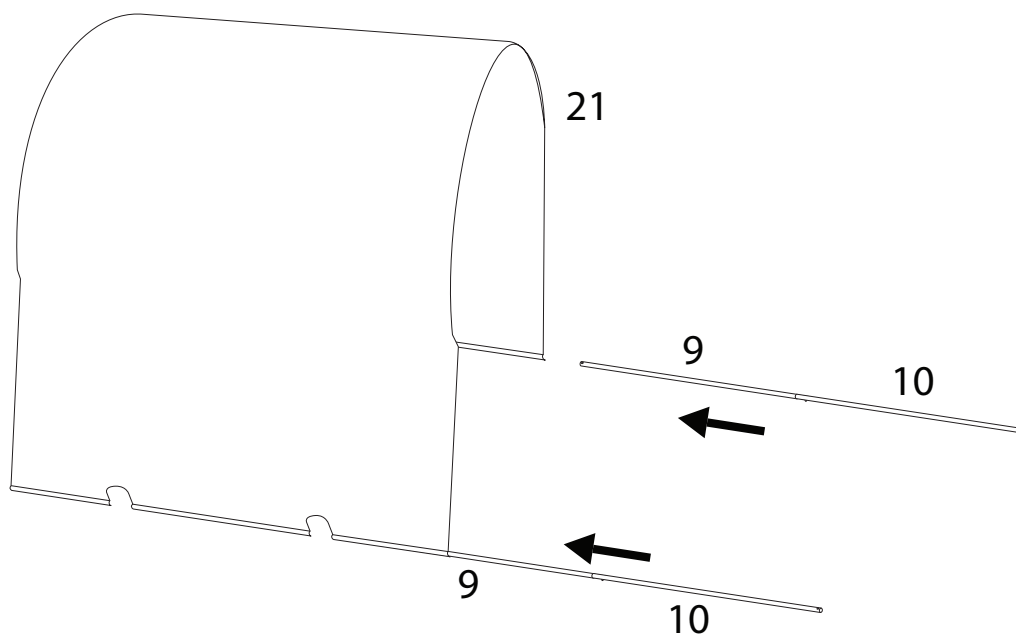
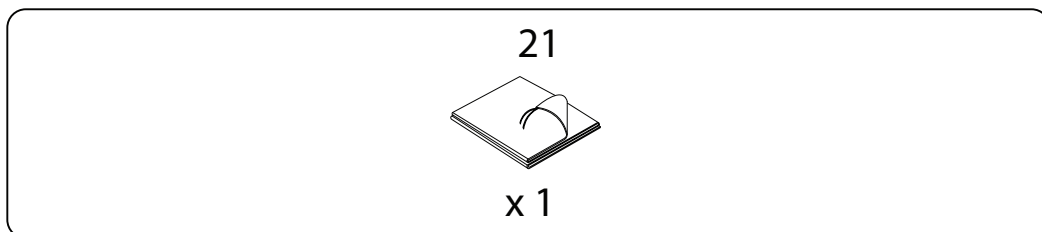
8



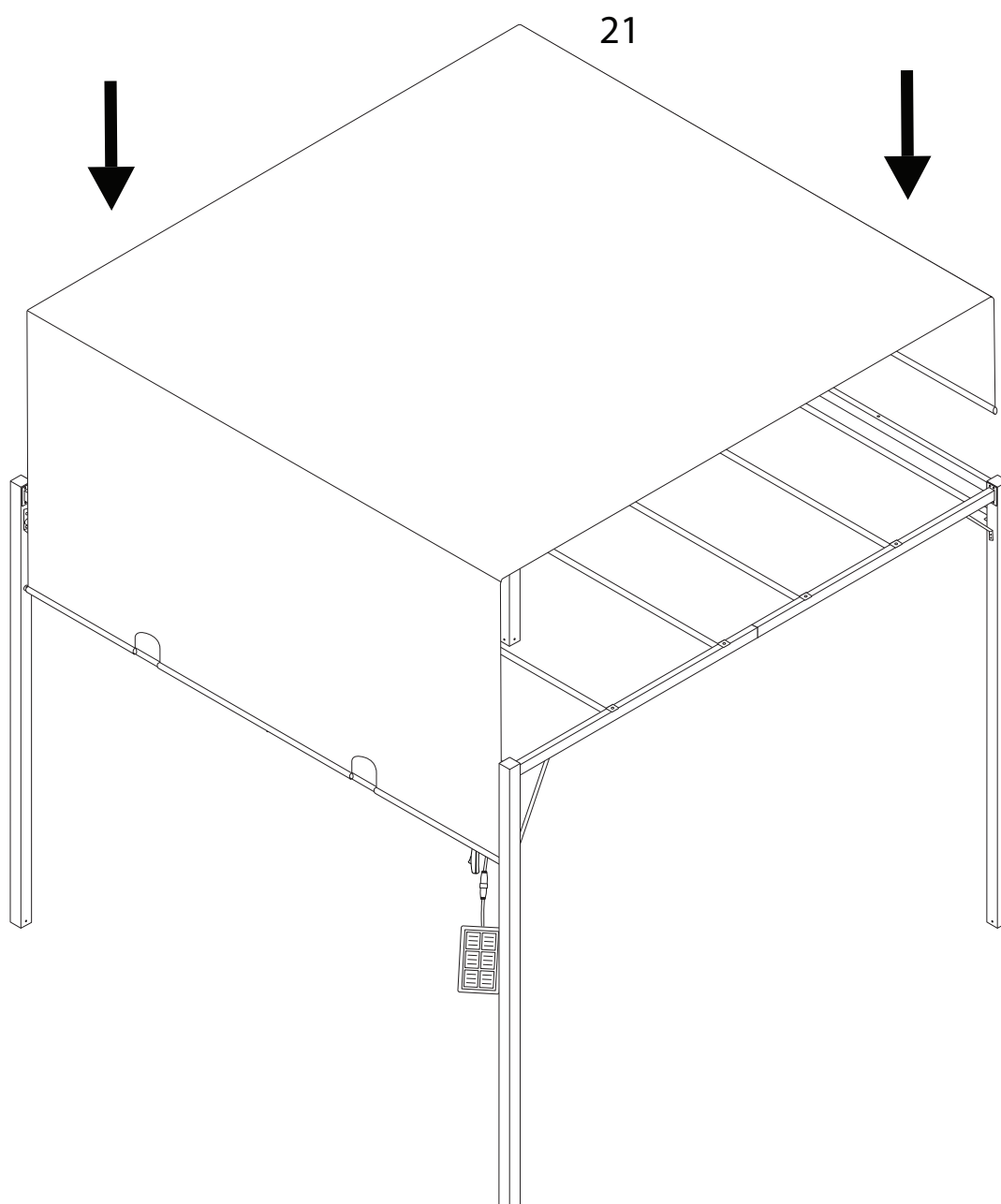
9 x 2



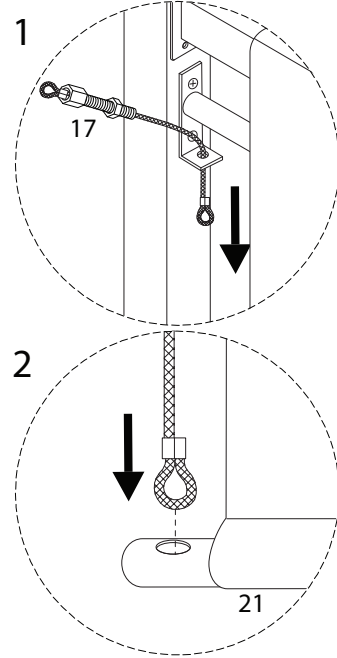
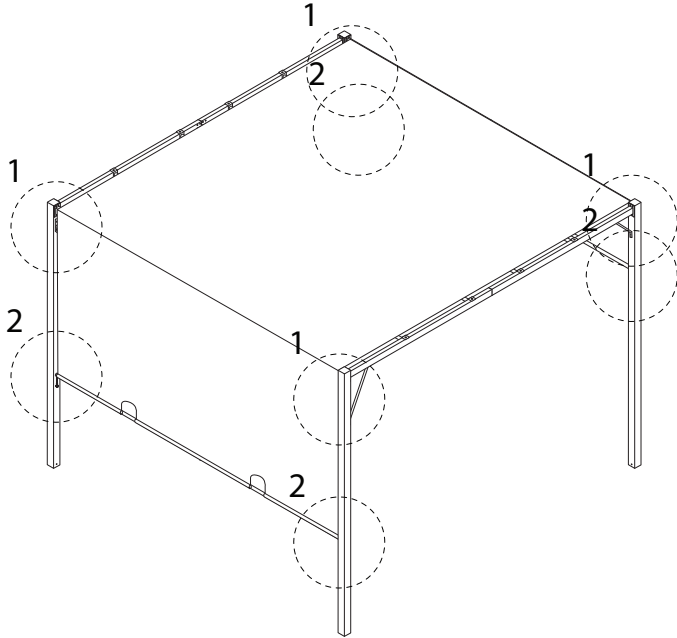
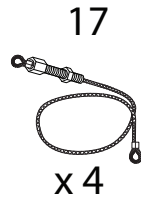
10



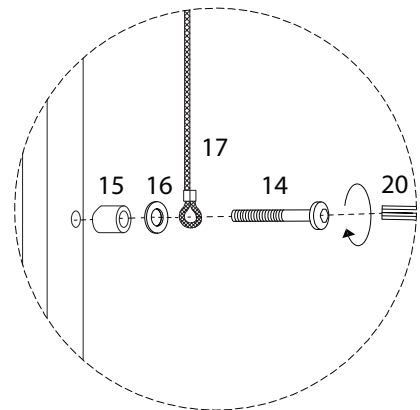
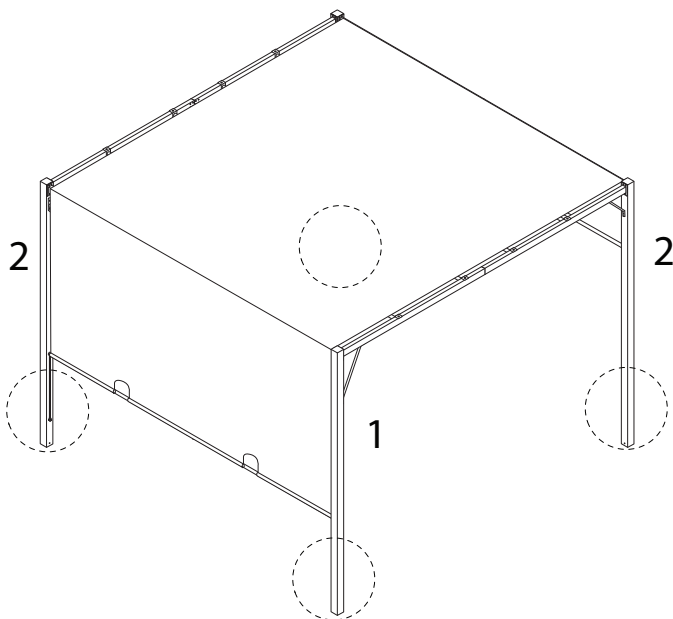
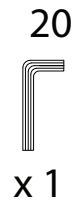
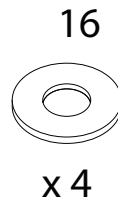
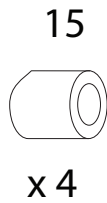
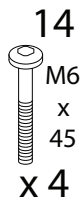
11



12



13

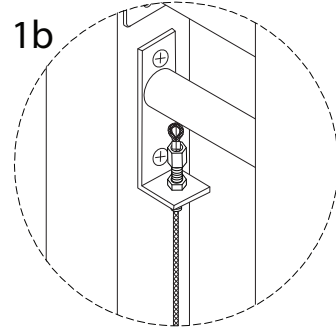
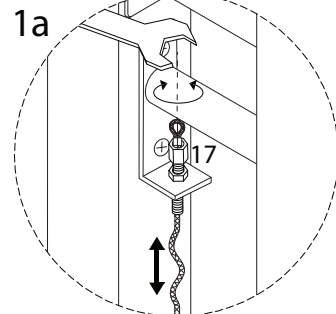
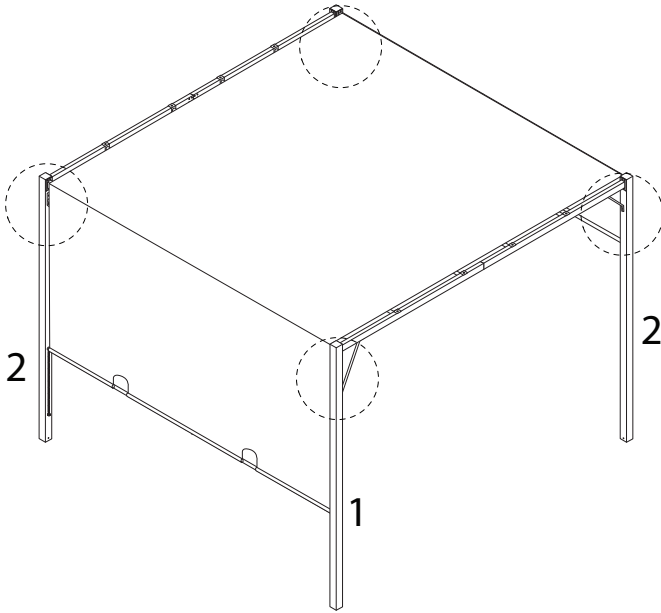


14

19

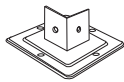


x 1



15

11



x 4

20



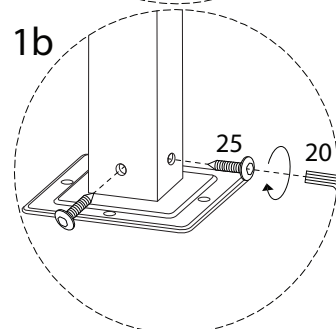
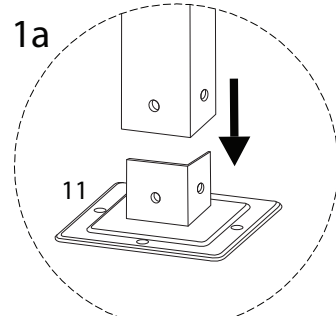
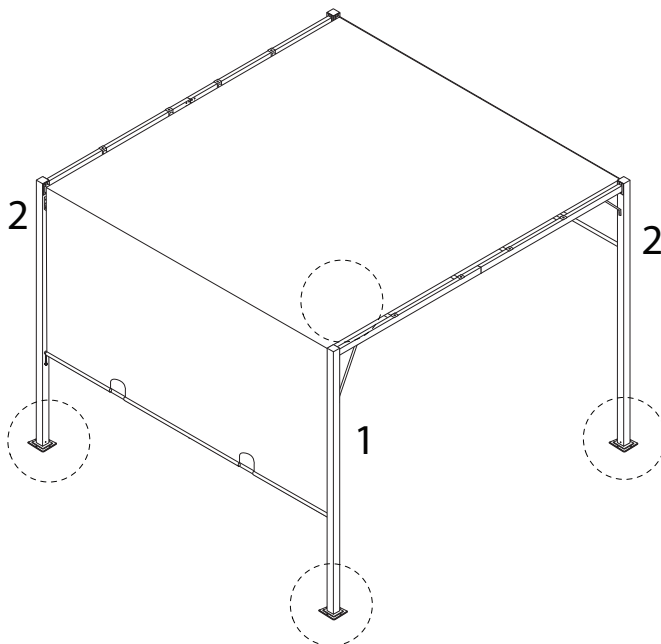
x 1

25



M6  
x 15

x 8

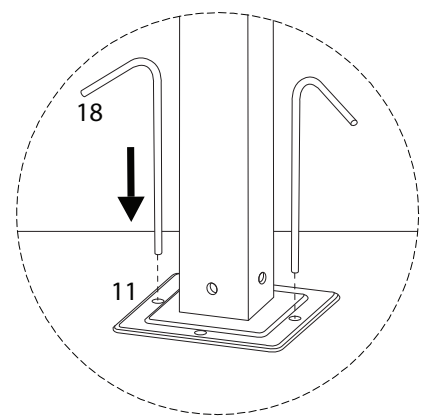
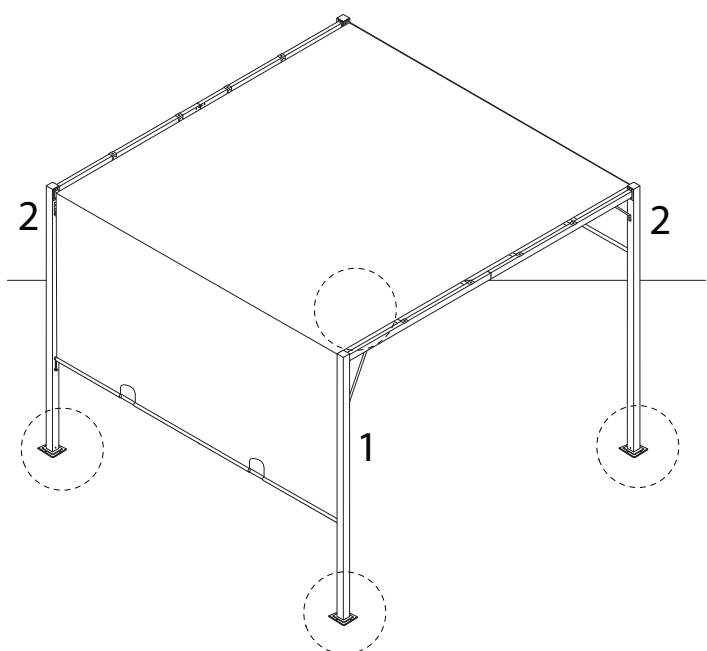


16

18

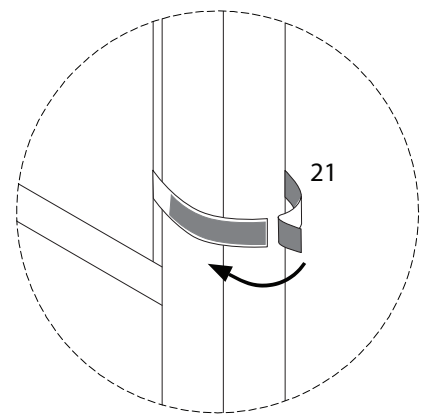
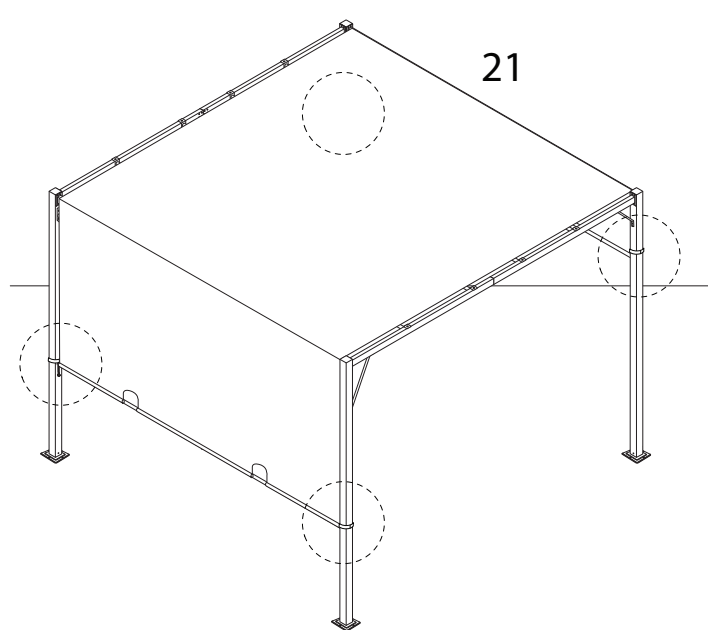


x 8



17

21



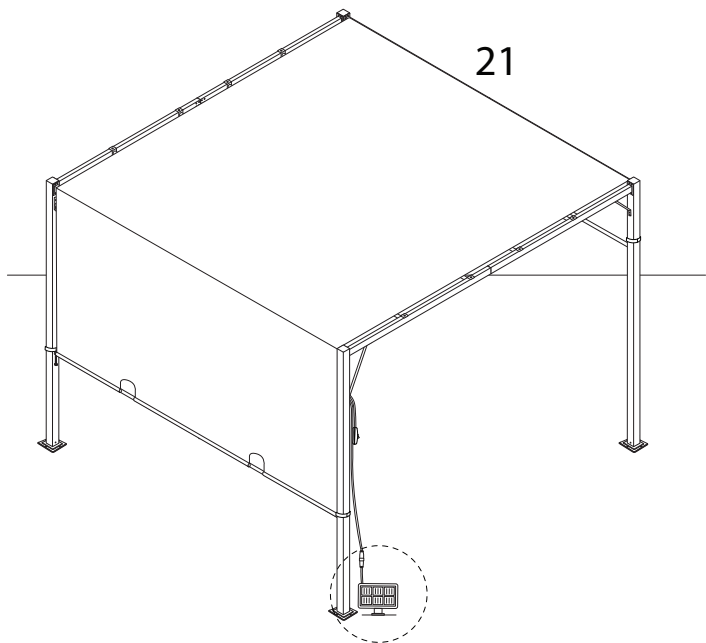
18

22b

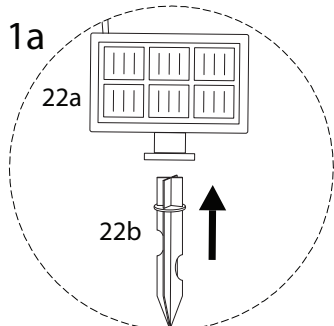


x 1

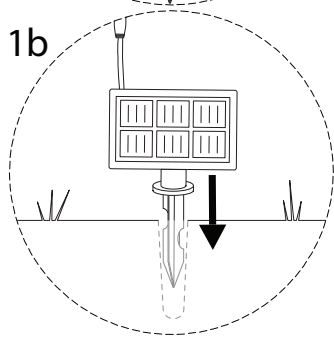
21



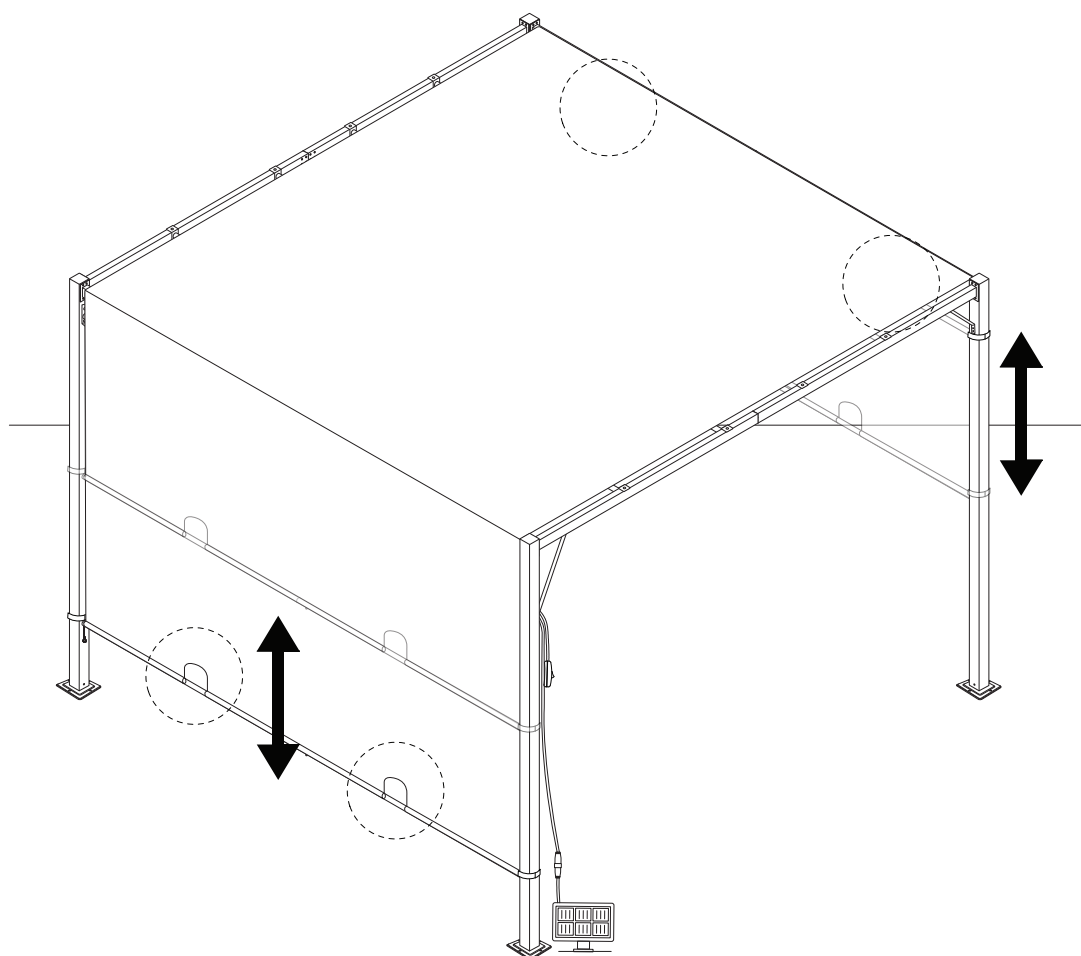
1a



1b



19





!

