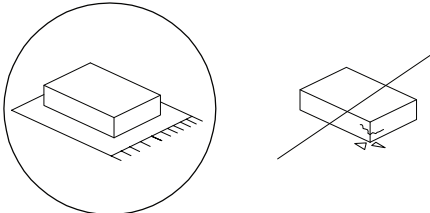
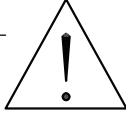

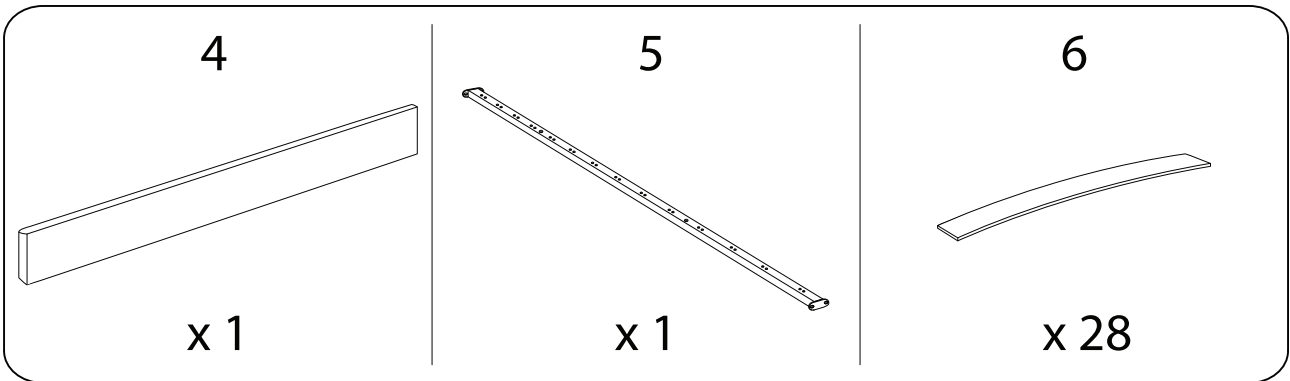
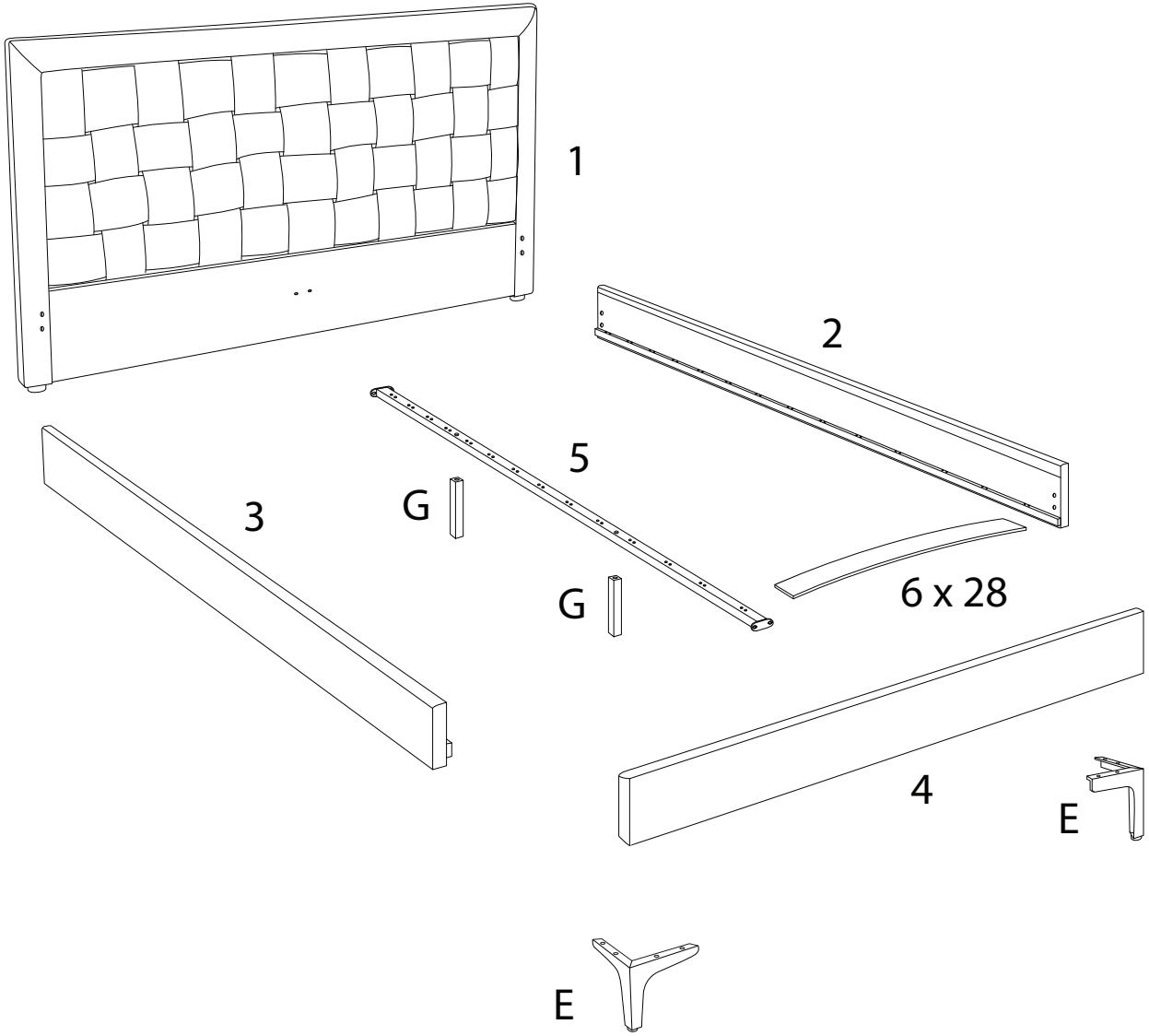
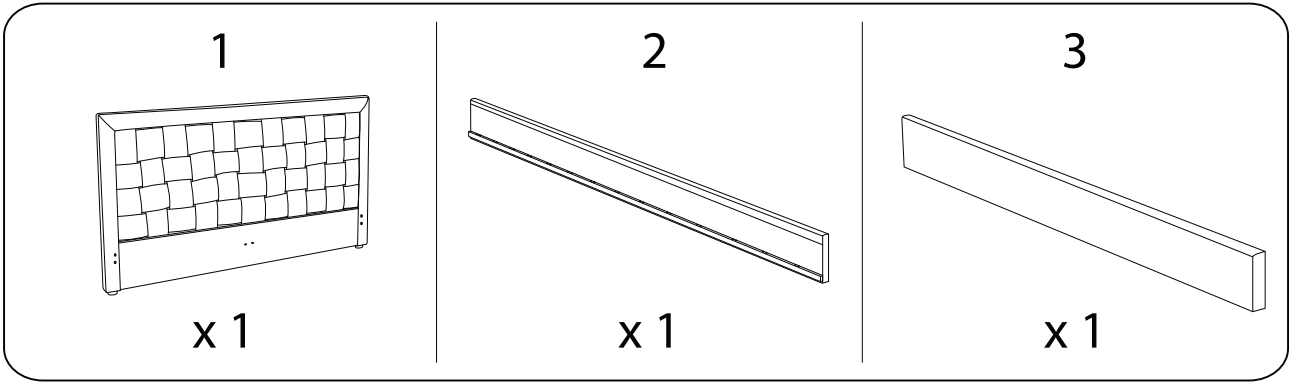

		<b>30'</b>
		
		<b>2</b>

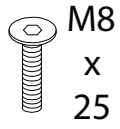


A



x 1

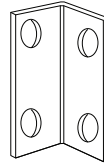
B



M8  
x  
25

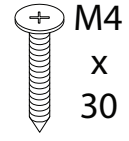
x 20

C



x 4

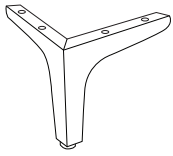
D



M4  
x  
30

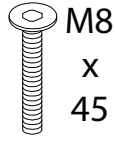
x 8

E



x 2

F



M8  
x  
45

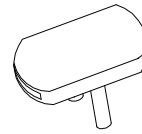
x 2

G



x 2

H



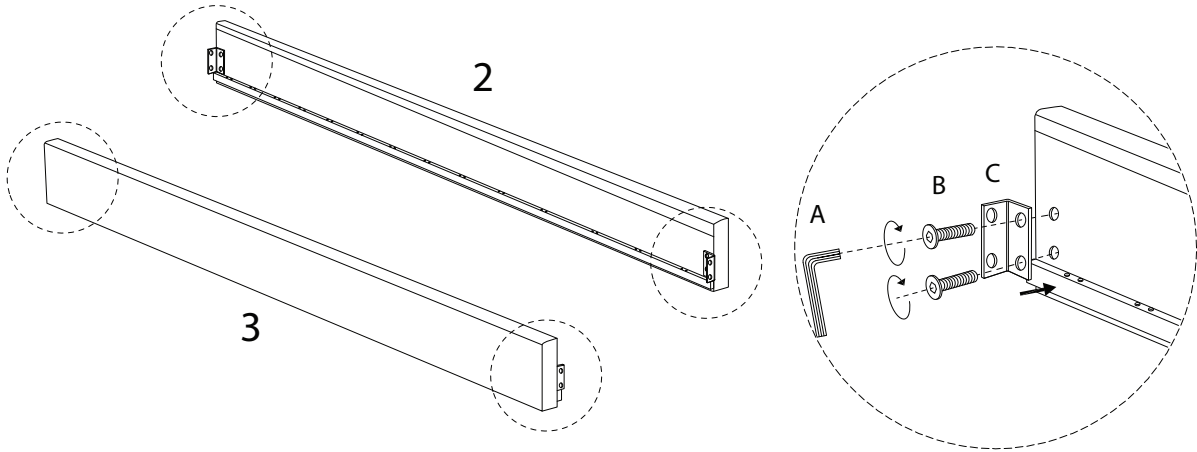
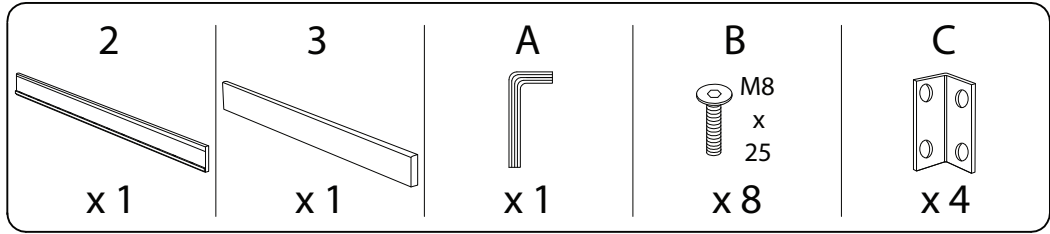
x 14

I

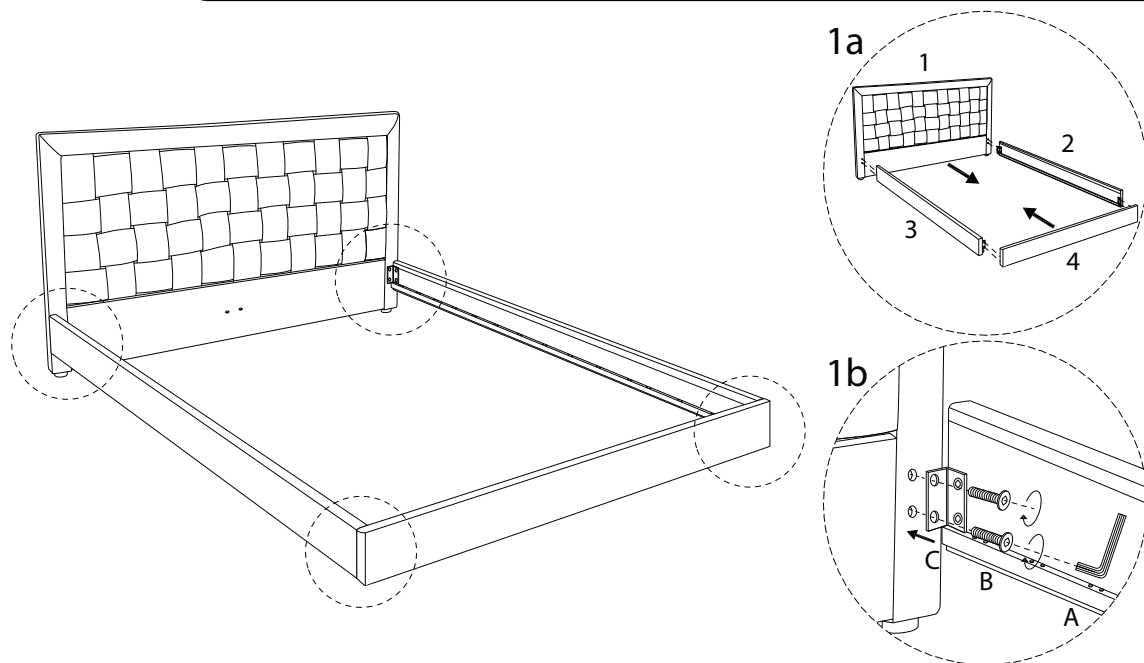
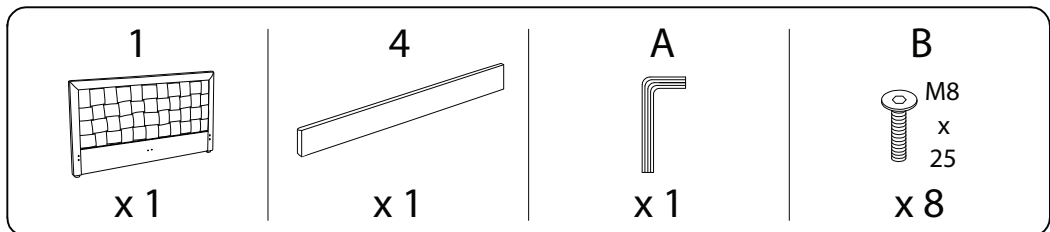


x 28


1




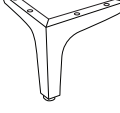
2

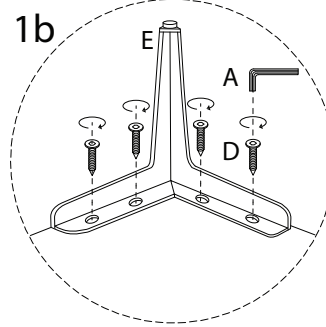
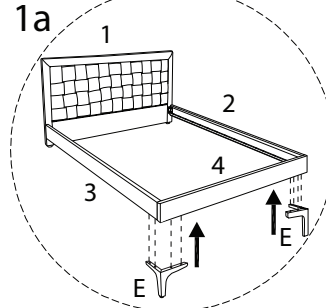
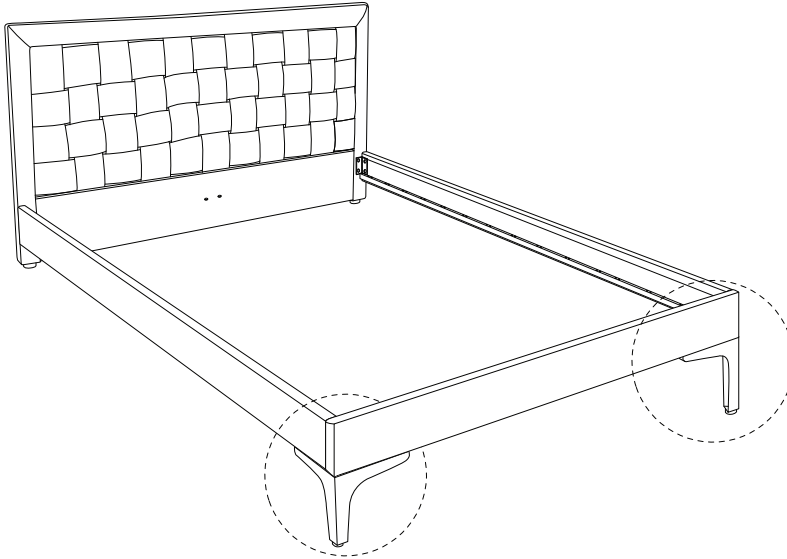


3

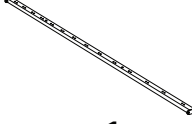
A  
  
x 1

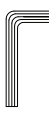
D  
  
x 8


E  
  
x 2

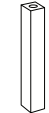


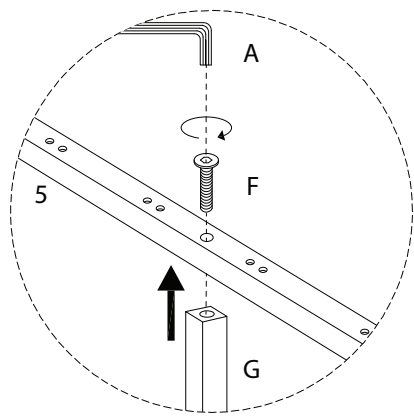
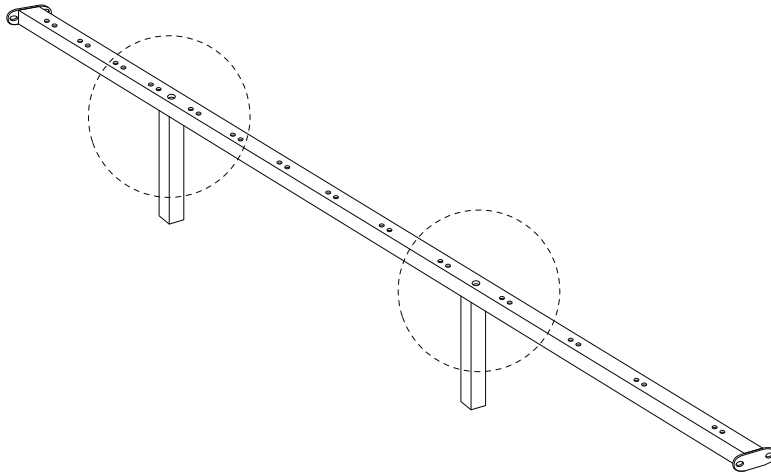
4

5  
  
x 1

A  
  
x 1

F  
  
x 2

G  
  
x 2



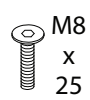
5

A

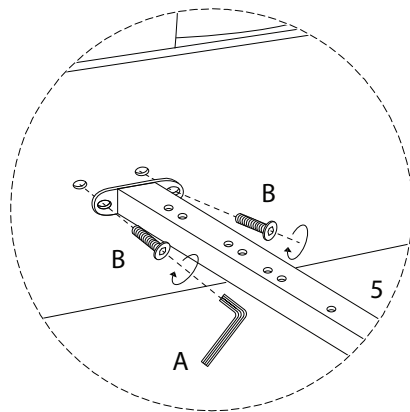
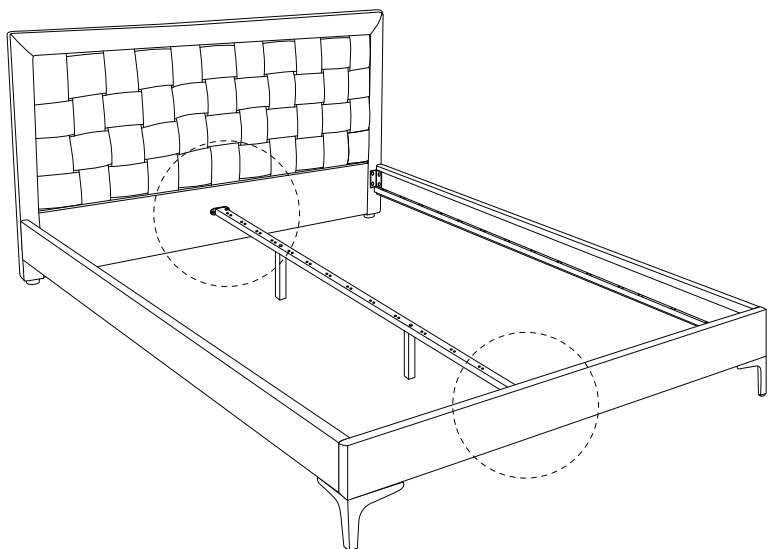


x 1

B

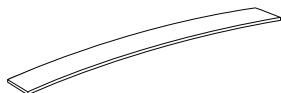


x 4



6

6



x 28

H

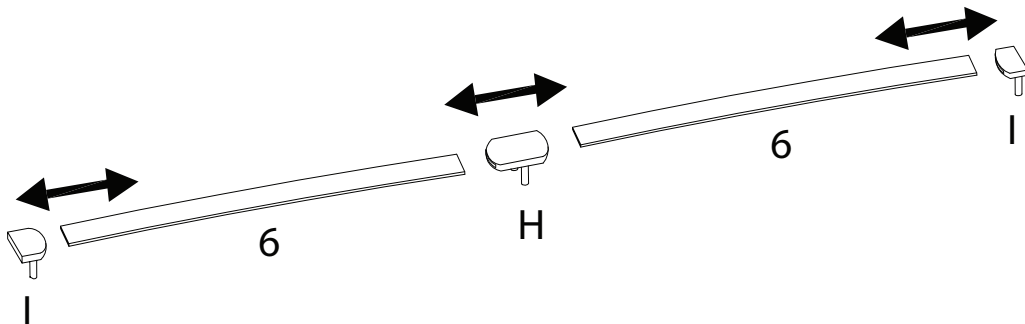


x 14

I



x 28



7

