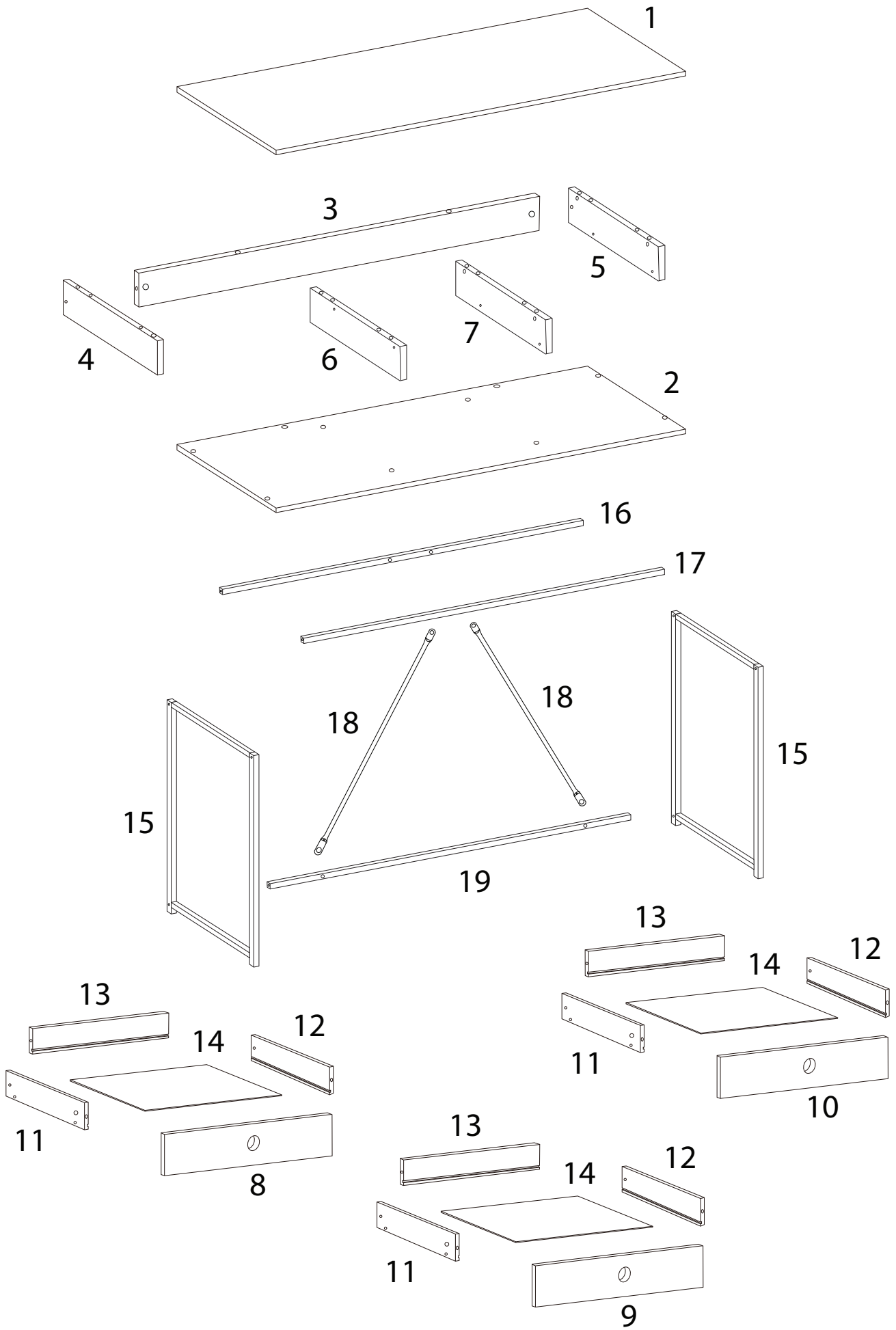
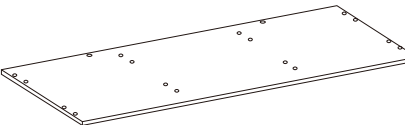
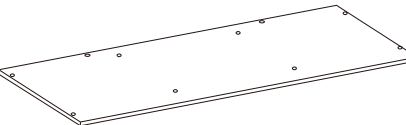
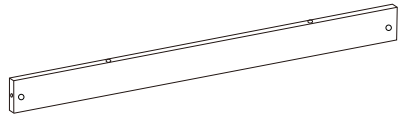
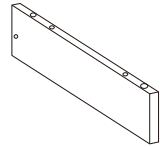
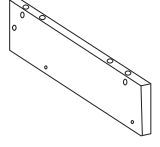
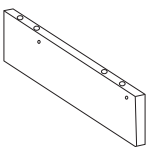
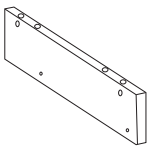
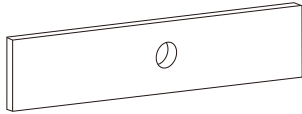
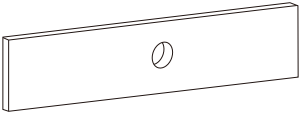
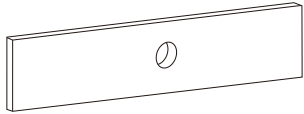
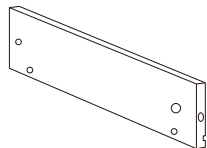
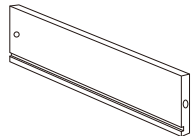
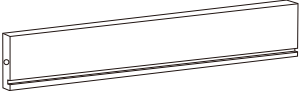

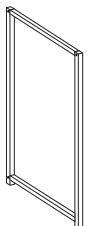


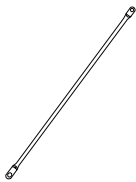



|   |   |
|---|---|
| A rectangular box containing two circular icons. The left icon shows a screwdriver. The right icon shows a power drill with a diagonal line through it, indicating it should not be used. To the right of the box is a warning triangle with an exclamation mark.                                 | A circular clock face with tick marks around the perimeter and two hands. |
| <p>60'</p>  |   |
| A rectangular box containing two circular icons. The left icon shows a rectangular cushion on a textured mat. The right icon shows a rectangular block with a diagonal line through it, indicating it should not be used. To the right of the box is a warning triangle with an exclamation mark. | A simple line drawing of a person standing.                               |
| <p>1</p>  |   |



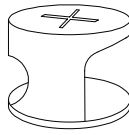
|  |  |   |  |
|--|--|---|--|
| <p>1</p>  <p>x 1</p>    | <p>2</p>  <p>x 1</p>    | <p>3</p>  <p>x 1</p>   |  |
| <p>4</p>  <p>x 1</p>    | <p>5</p>  <p>x 1</p>    | <p>6</p>  <p>x 1</p>    | <p>7</p>  <p>x 1</p>    |
| <p>8</p>  <p>x 1</p>  | <p>9</p>  <p>x 1</p>  | <p>10</p>  <p>x 1</p> | <p>11</p>  <p>x 3</p> |
| <p>12</p>  <p>x 3</p> | <p>13</p>  <p>x 3</p> | <p>14</p>  <p>x 3</p> | <p>15</p>  <p>x 2</p> |
| <p>16</p>  <p>x 1</p> | <p>17</p>  <p>x 1</p> | <p>18</p>  <p>x 2</p> | <p>19</p>  <p>x 1</p> |

A1



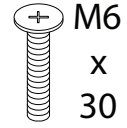
x 18

A2



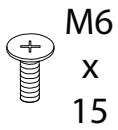
x 18

B1



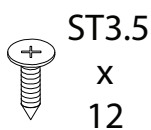
x 10

B2



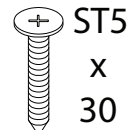
x 4

C1



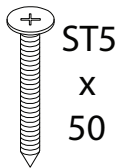
x 24

C2



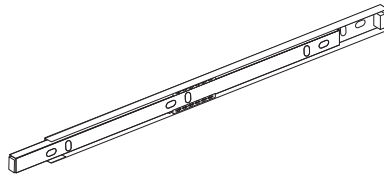
x 6

D



x 16

E



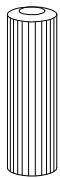
x 6

F



x 4

G



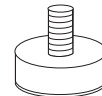
x 16

H



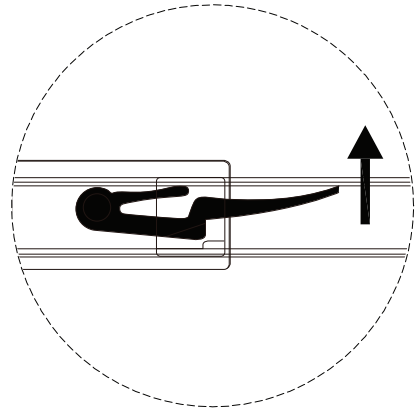
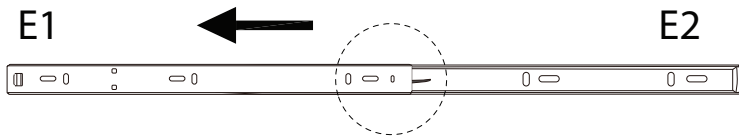
x 3

I

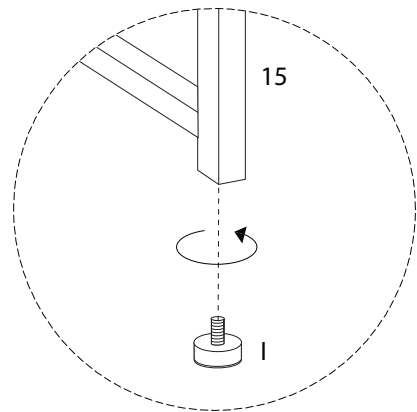
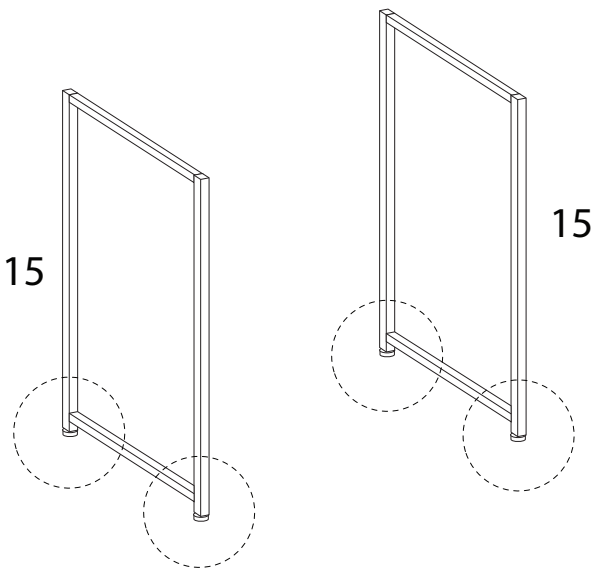
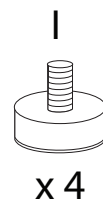


x 4

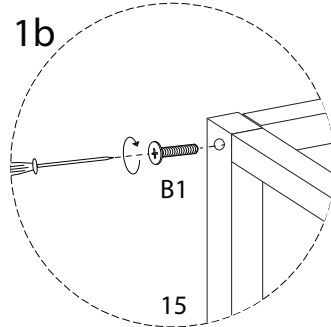
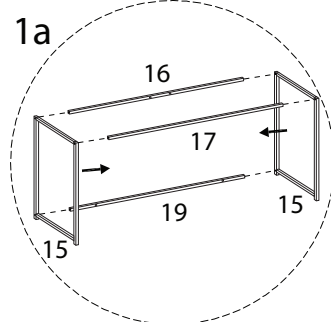
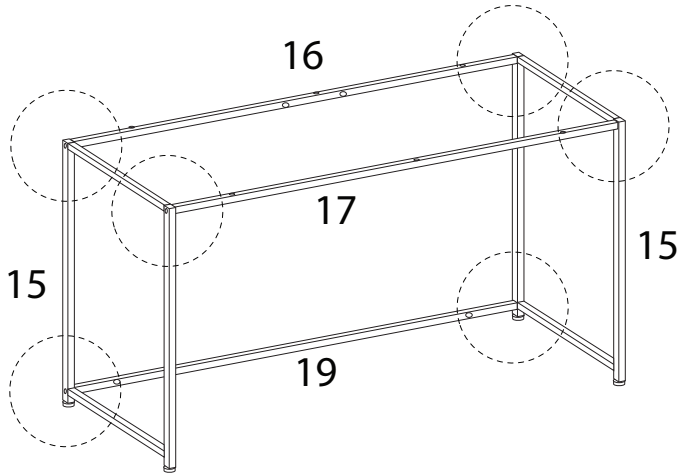
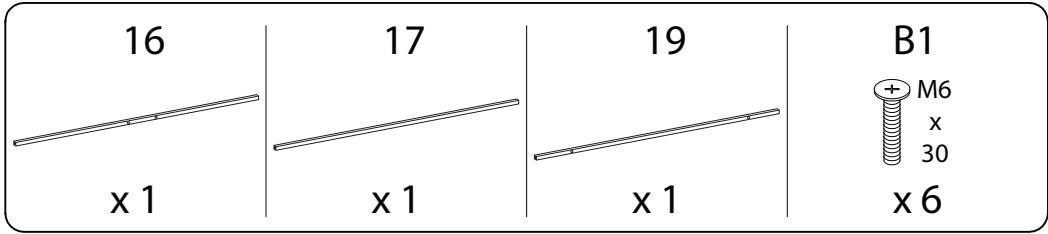
!



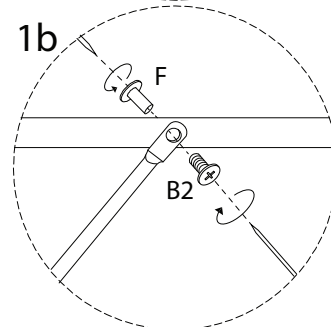
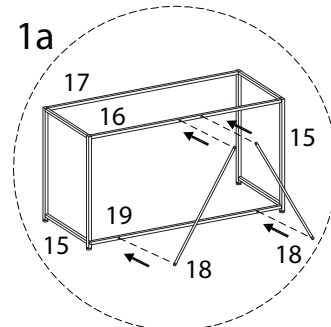
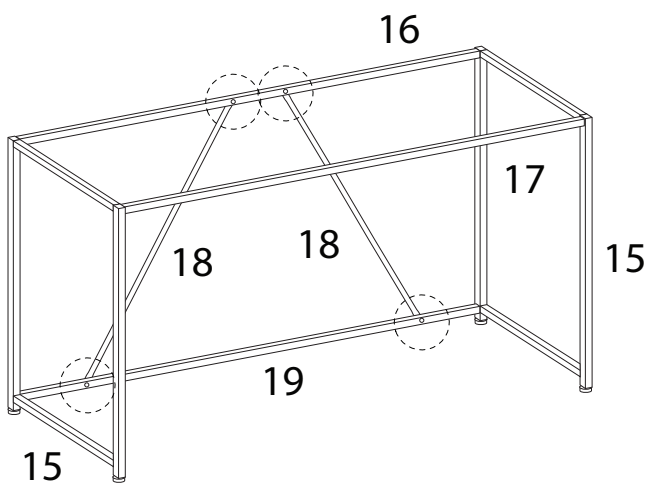
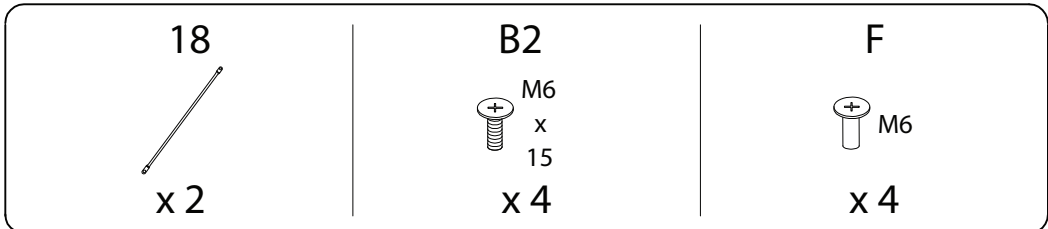
1



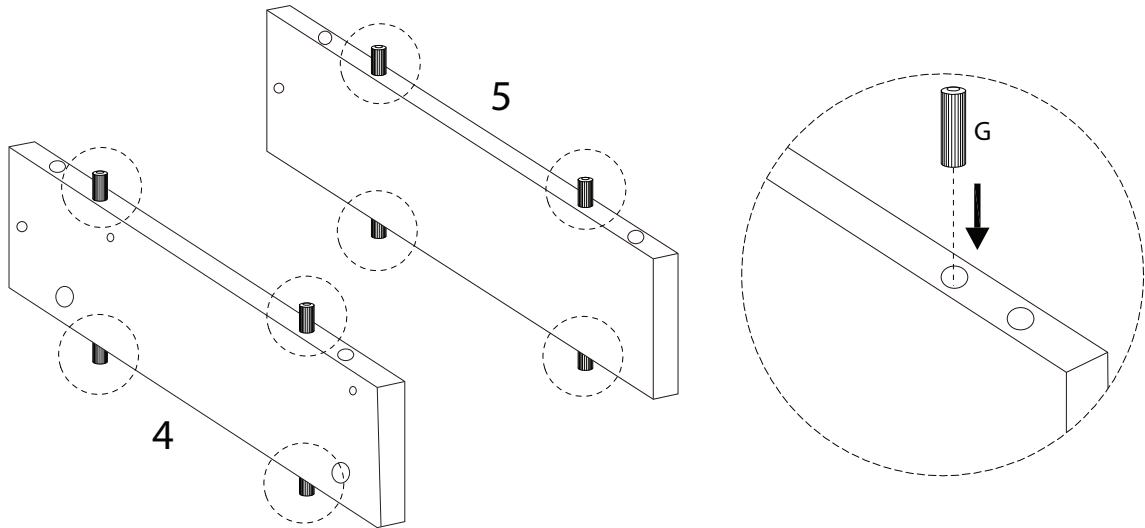
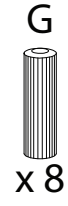
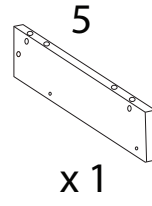
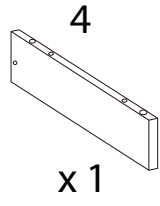
2



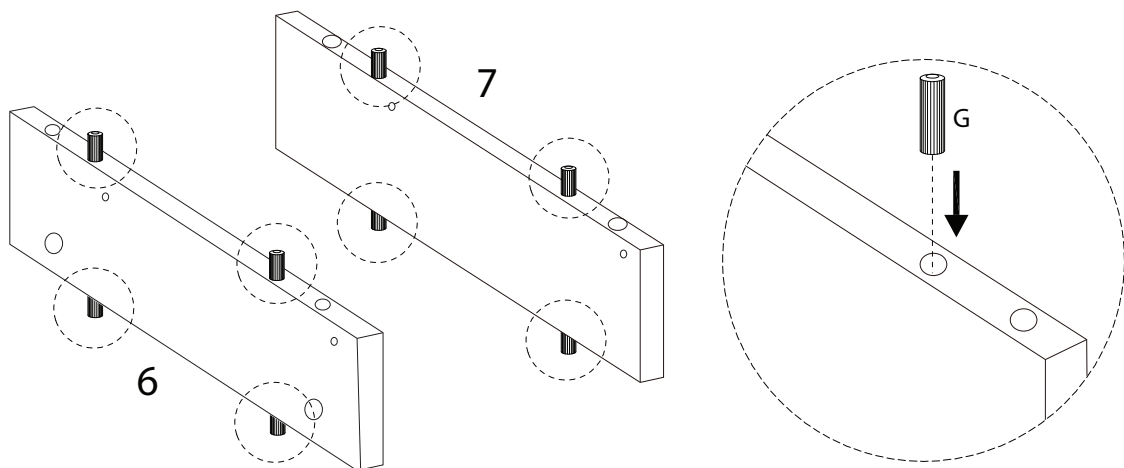
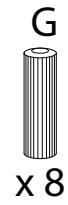
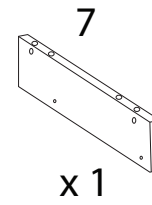
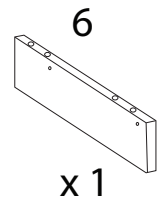
3



4



5

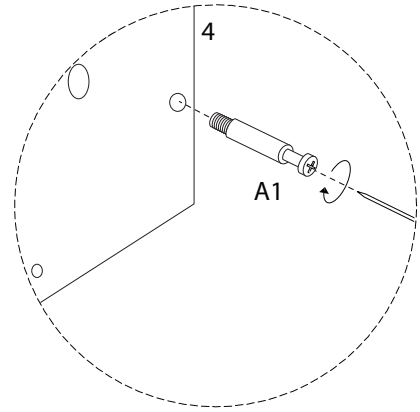
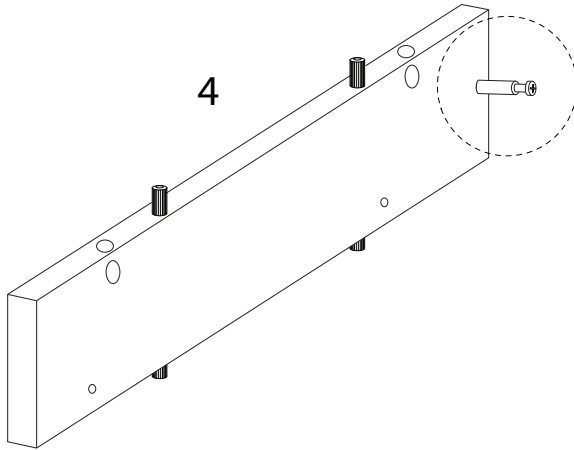


6

A1



x 1

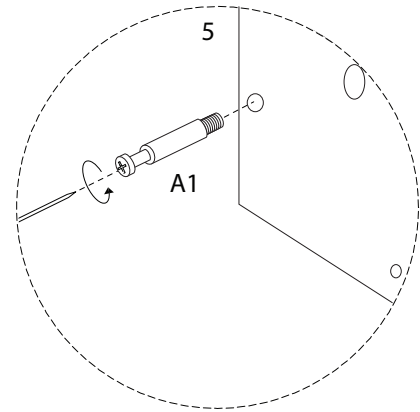
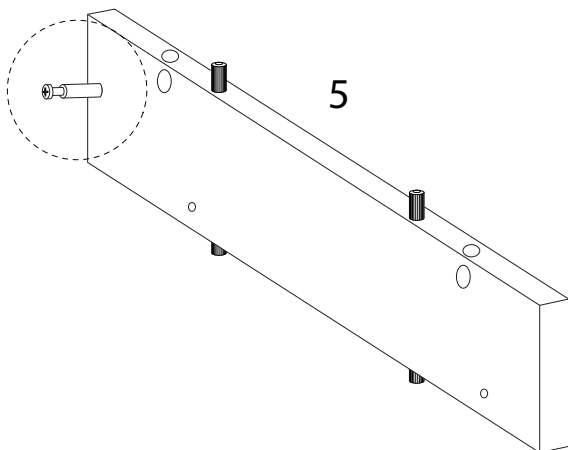


7

A1



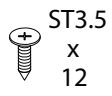
x 1





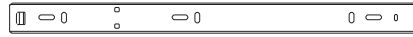
8

C1

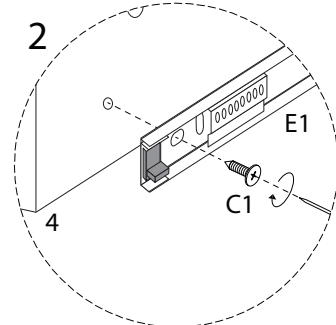
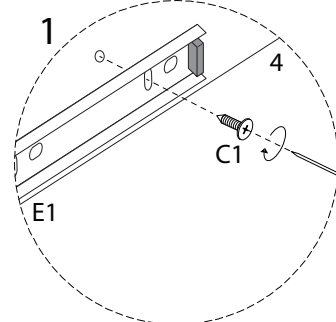
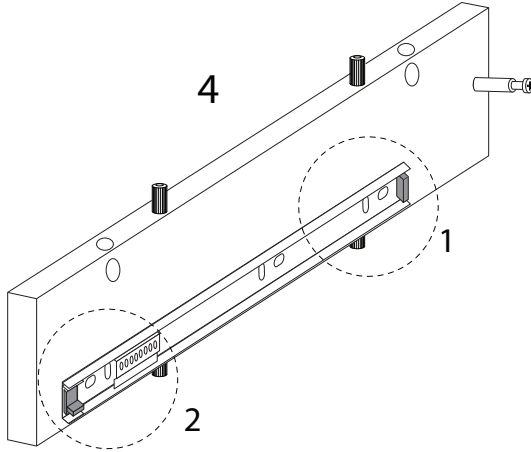


x 2

E1

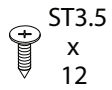


x 1



9

C1

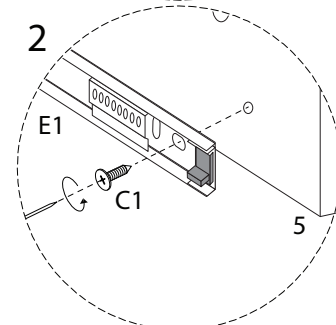
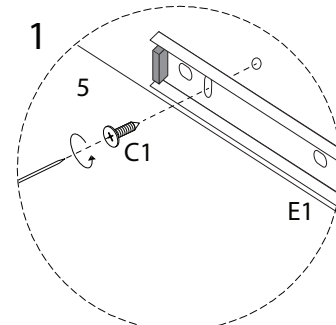
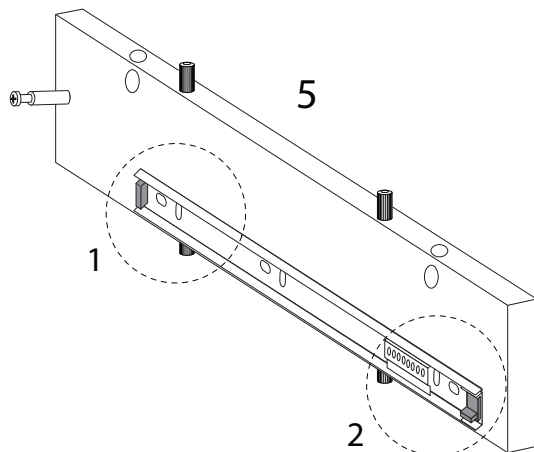


x 2

E1

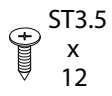


x 1



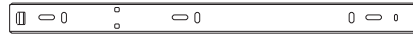
10

C1

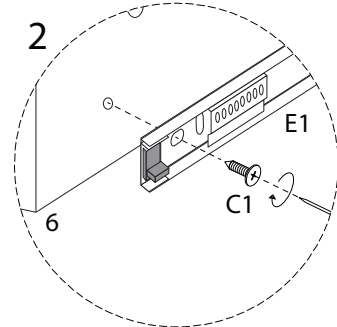
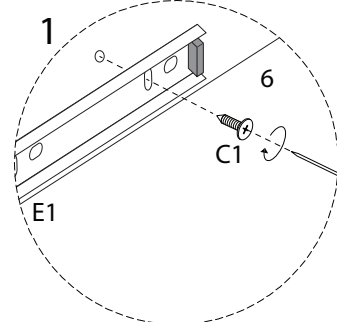
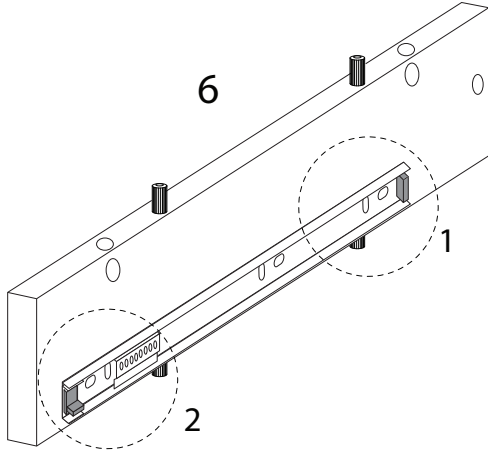


x 2

E1

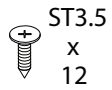


x 1



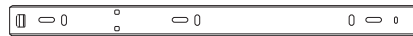
11

C1

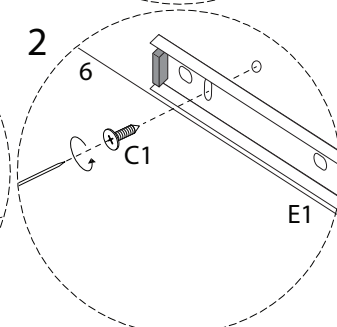
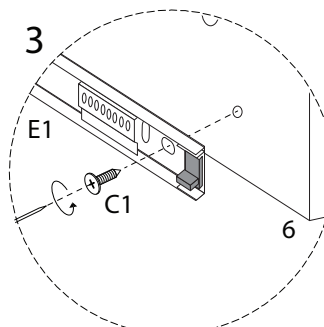
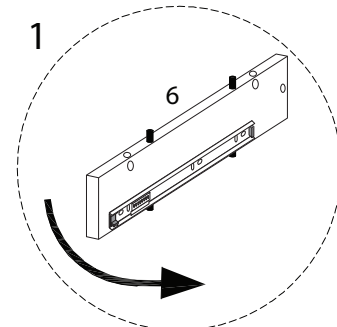
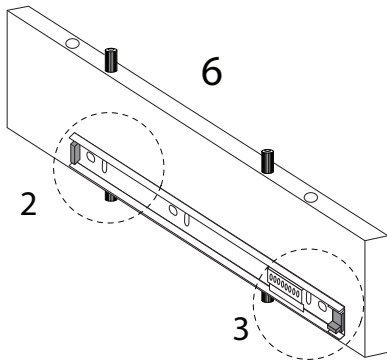


x 2

E1



x 1



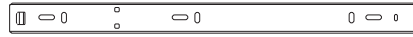
12

C1

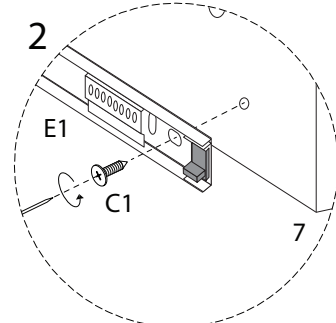
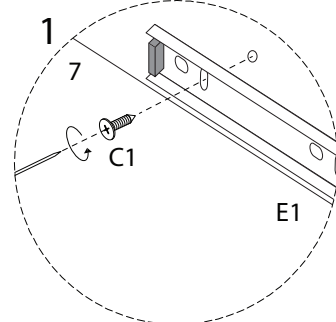
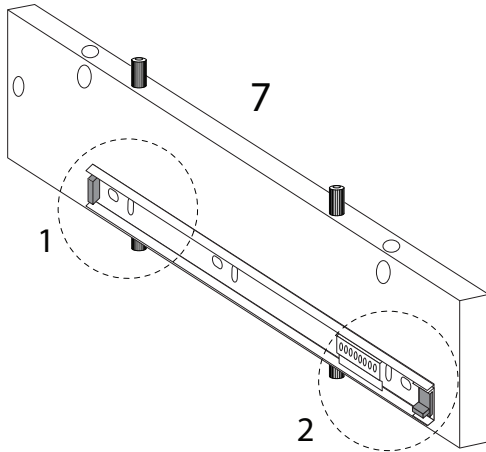
ST3.5  
x  
12

x 2

E1



x 1



13

C1

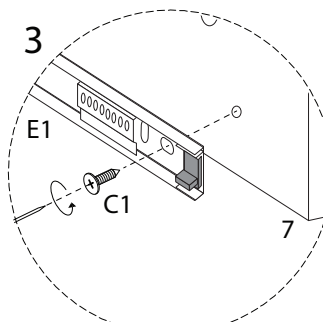
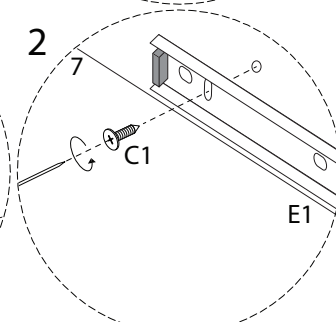
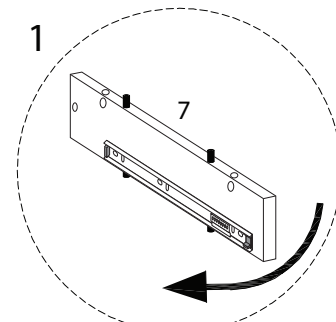
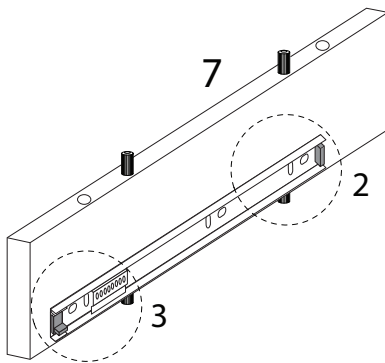
ST3.5  
x  
12

x 2

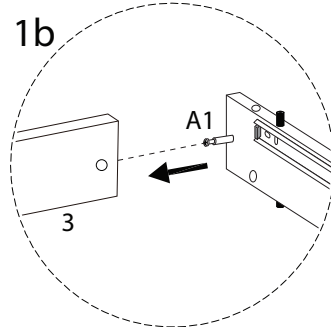
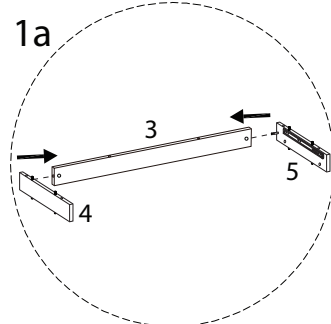
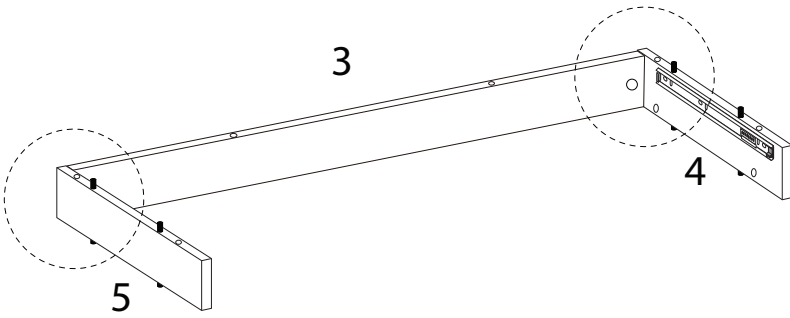
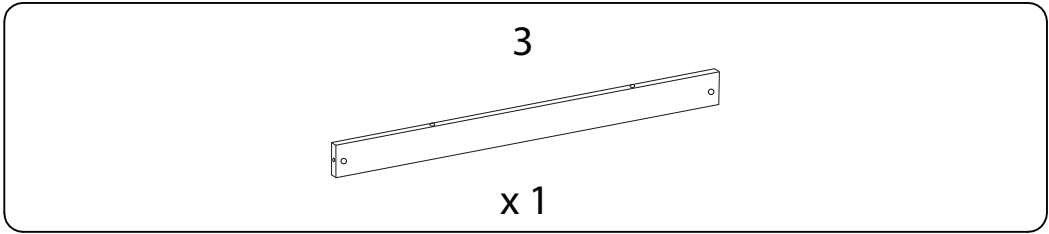
E1



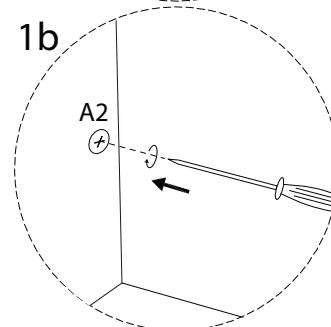
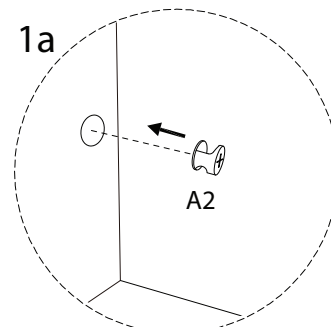
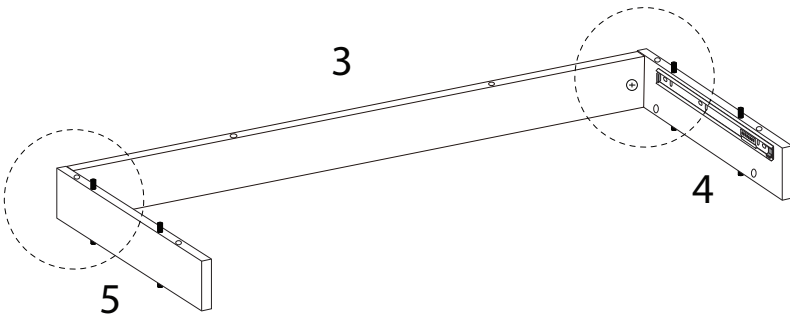
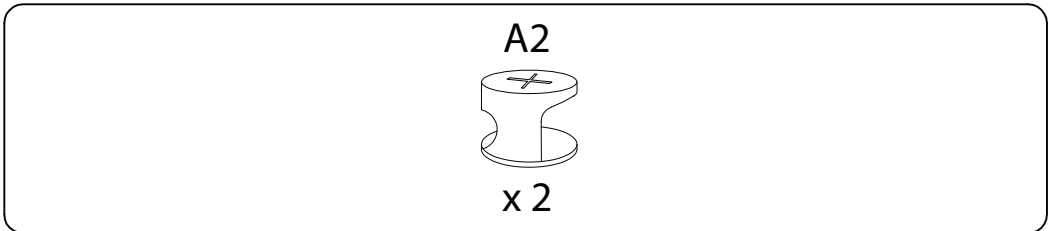
x 1



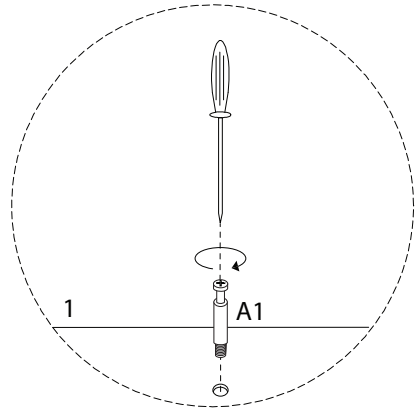
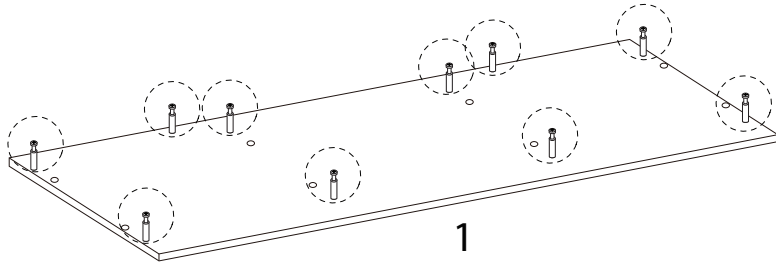
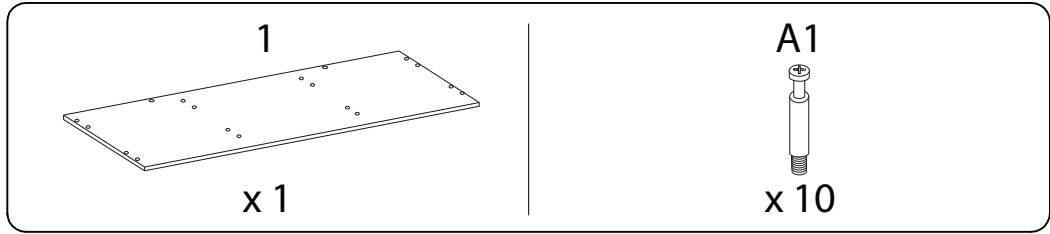
14



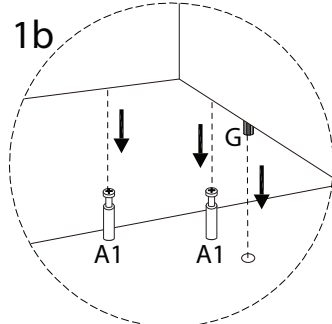
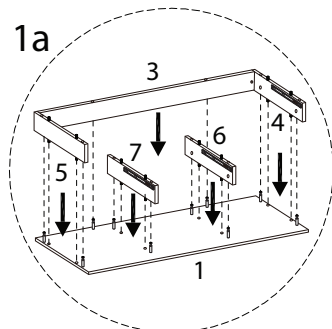
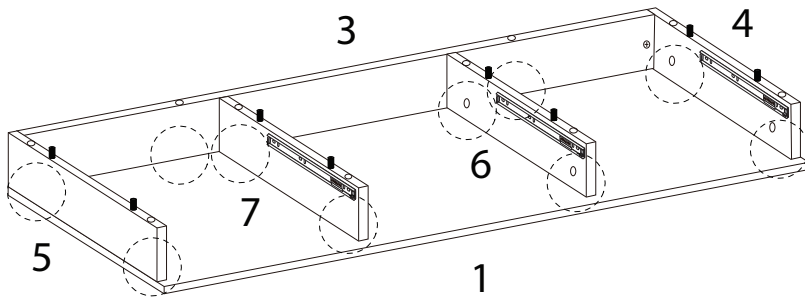
15



16

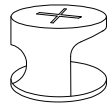


17

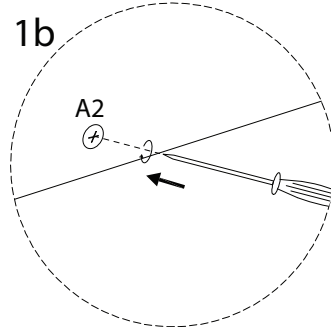
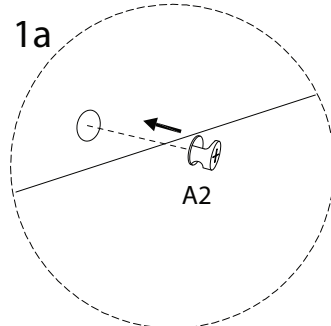
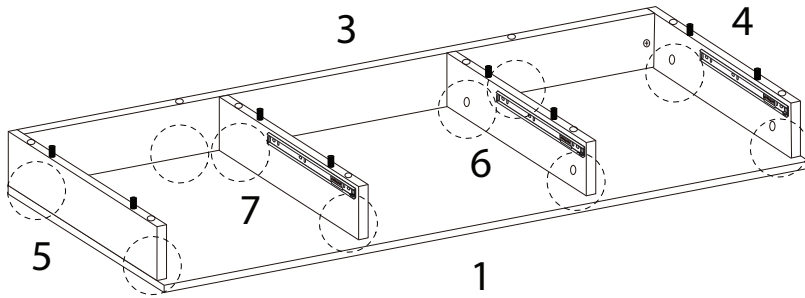


18

A2

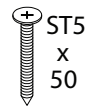


x 10

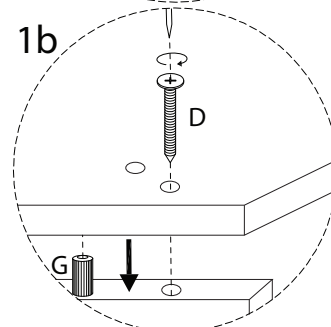
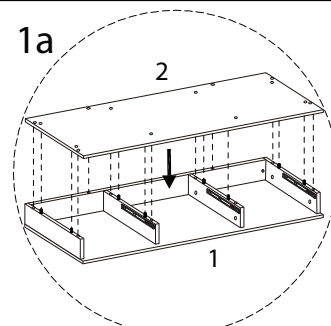
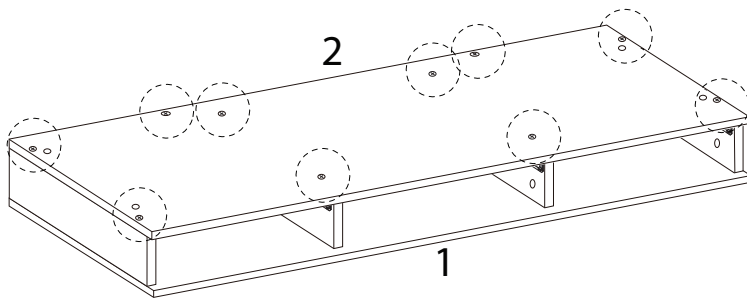


19

D



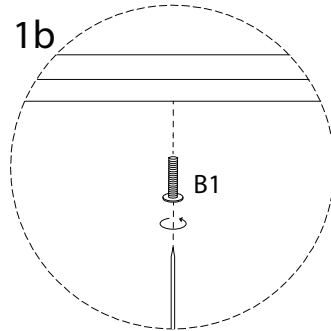
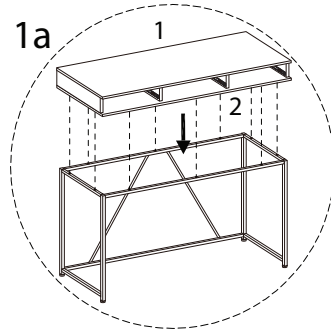
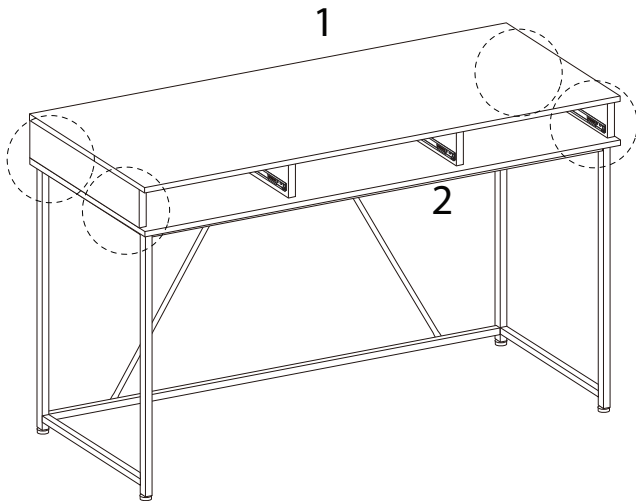
x 10



20

B1

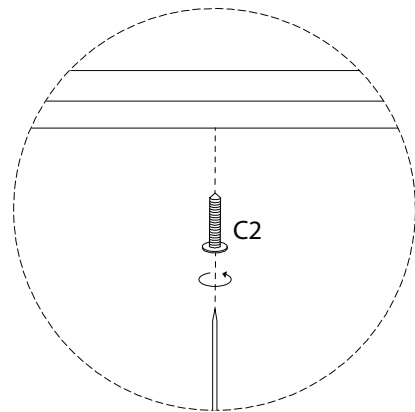
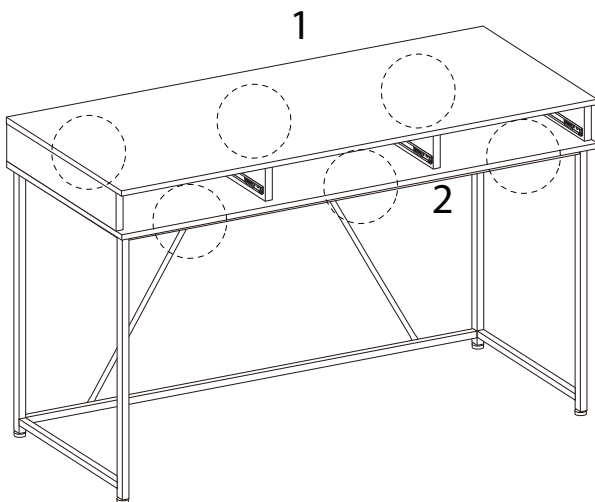
M6  
x  
30  
x 4



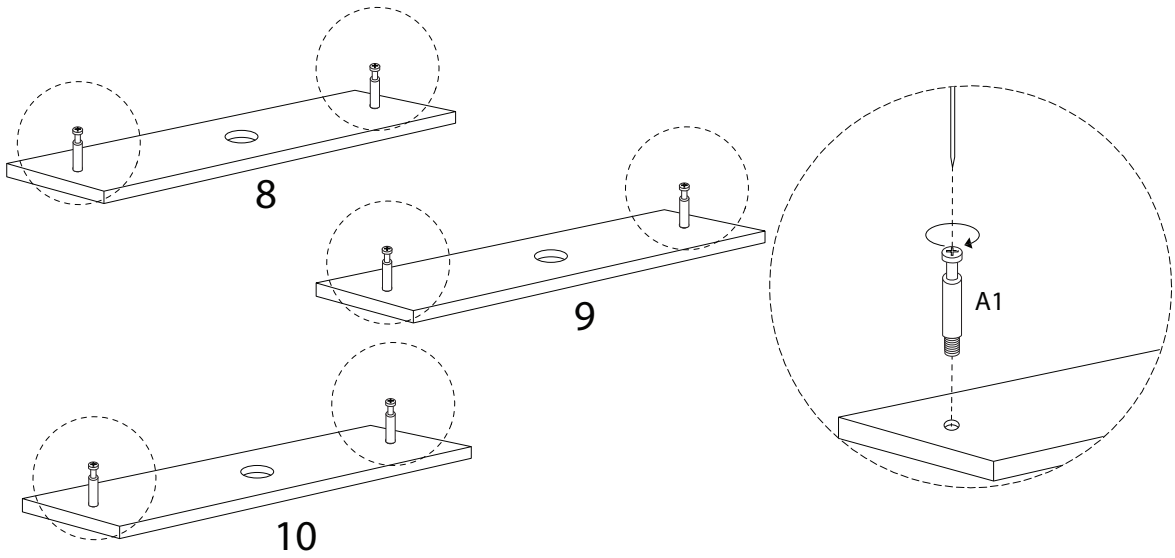
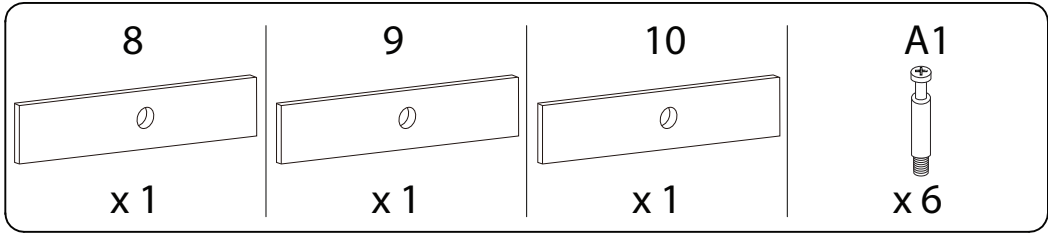
21

C2

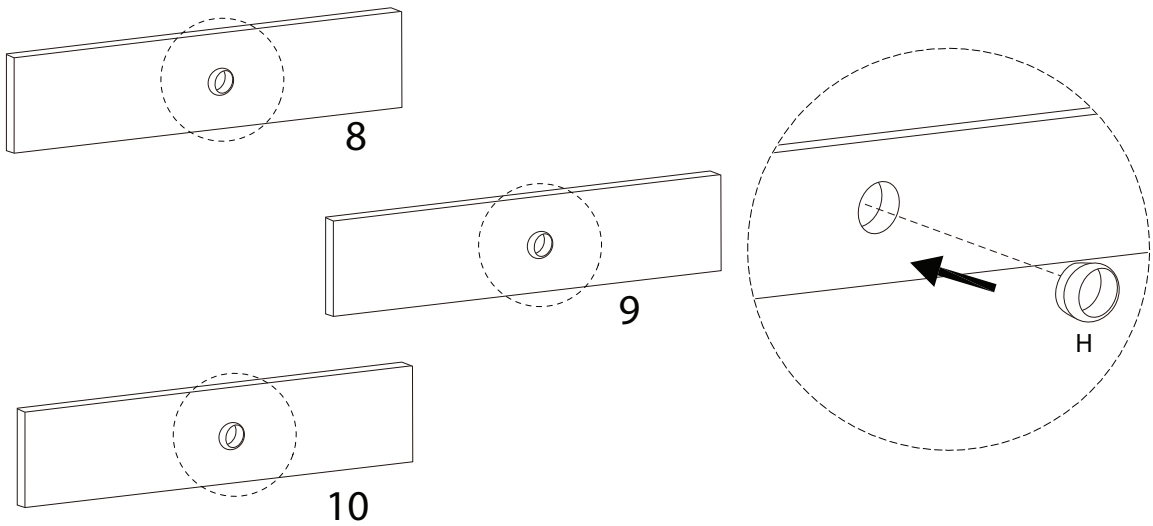
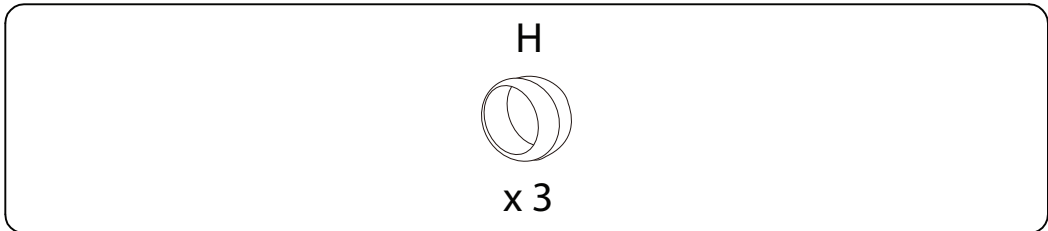
ST5  
x  
30  
x 6



22

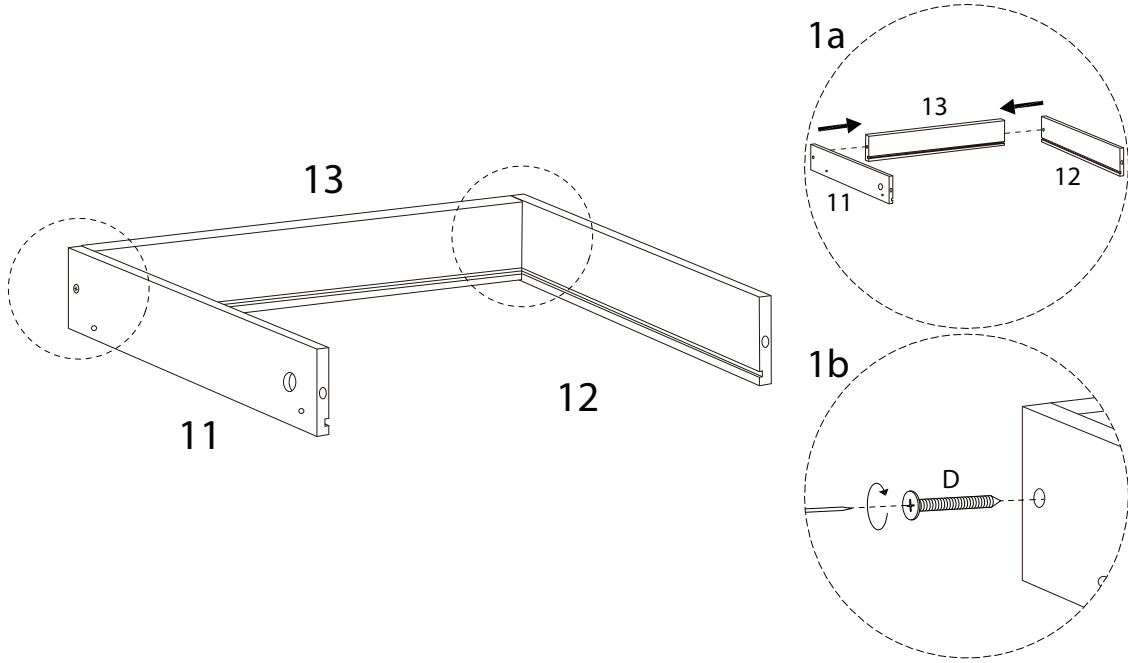
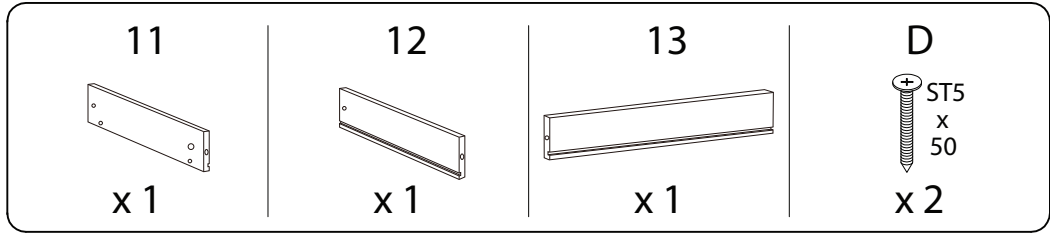


23

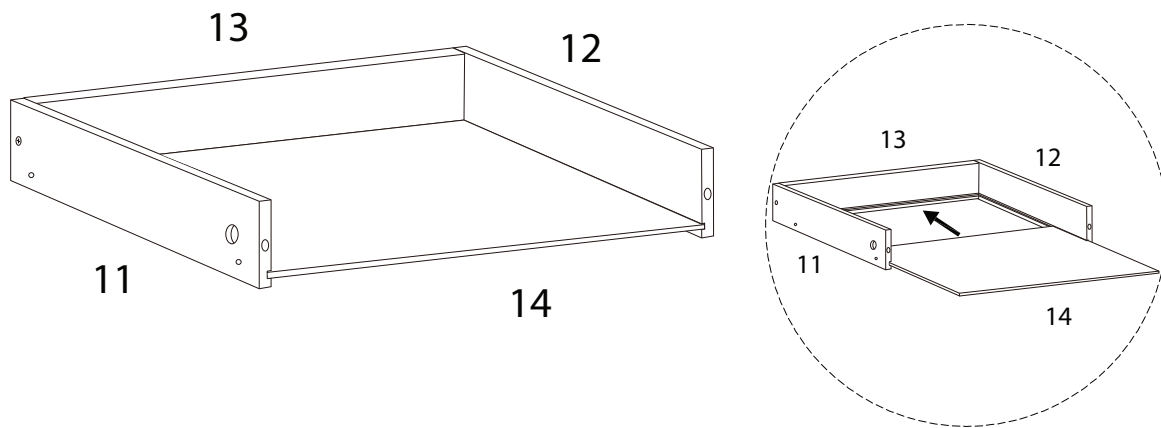
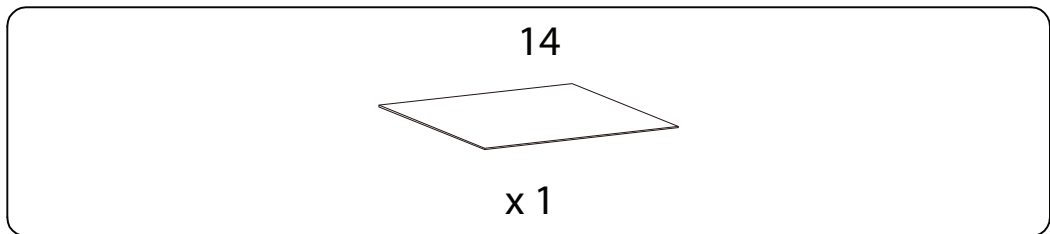




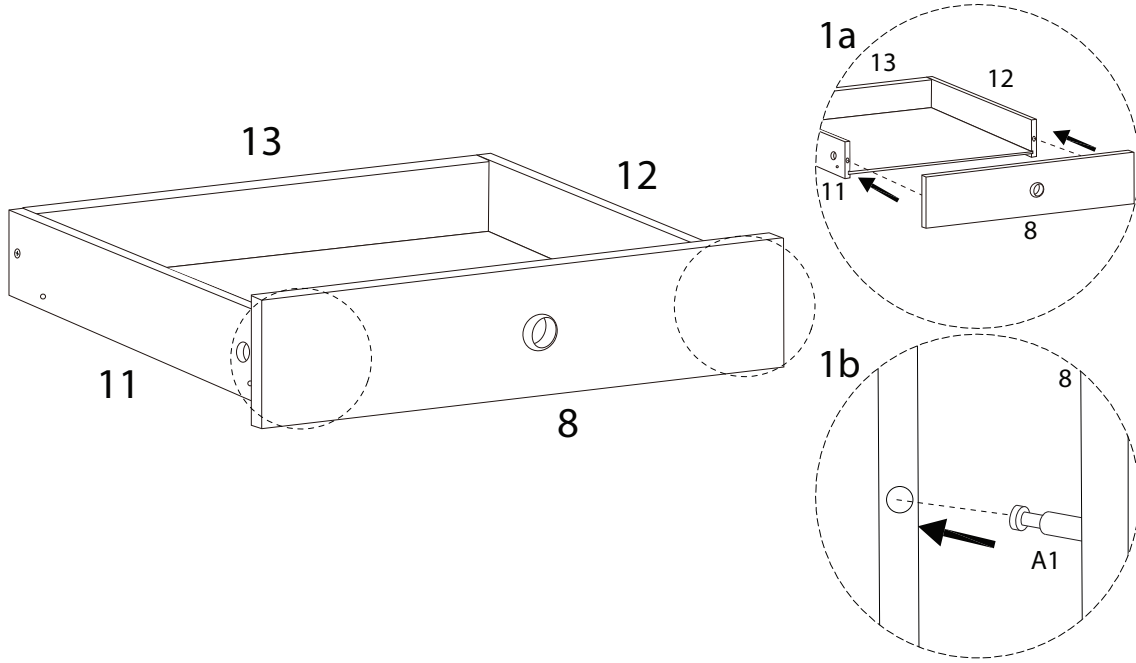
24 x 3



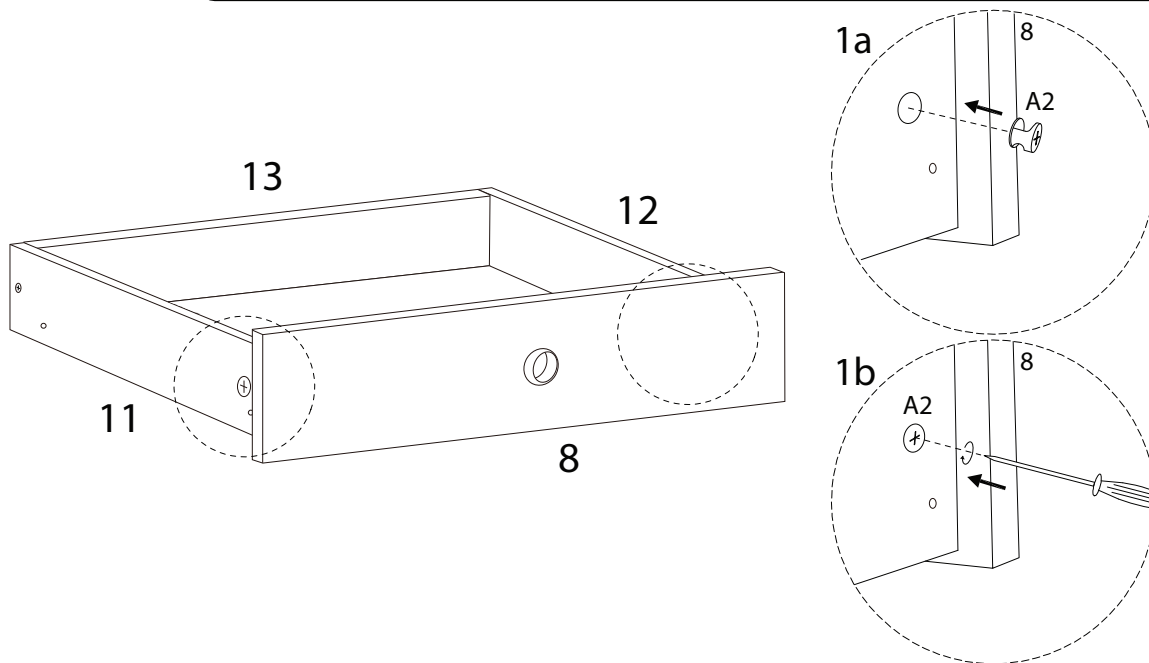
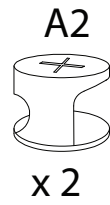
25 x 3



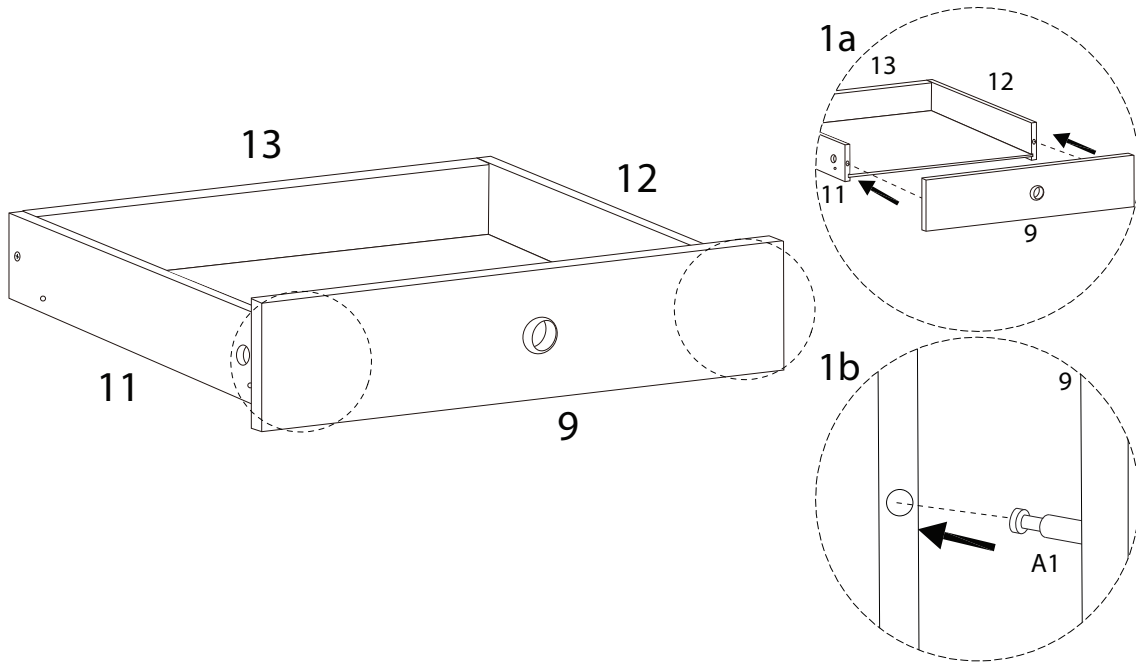
26



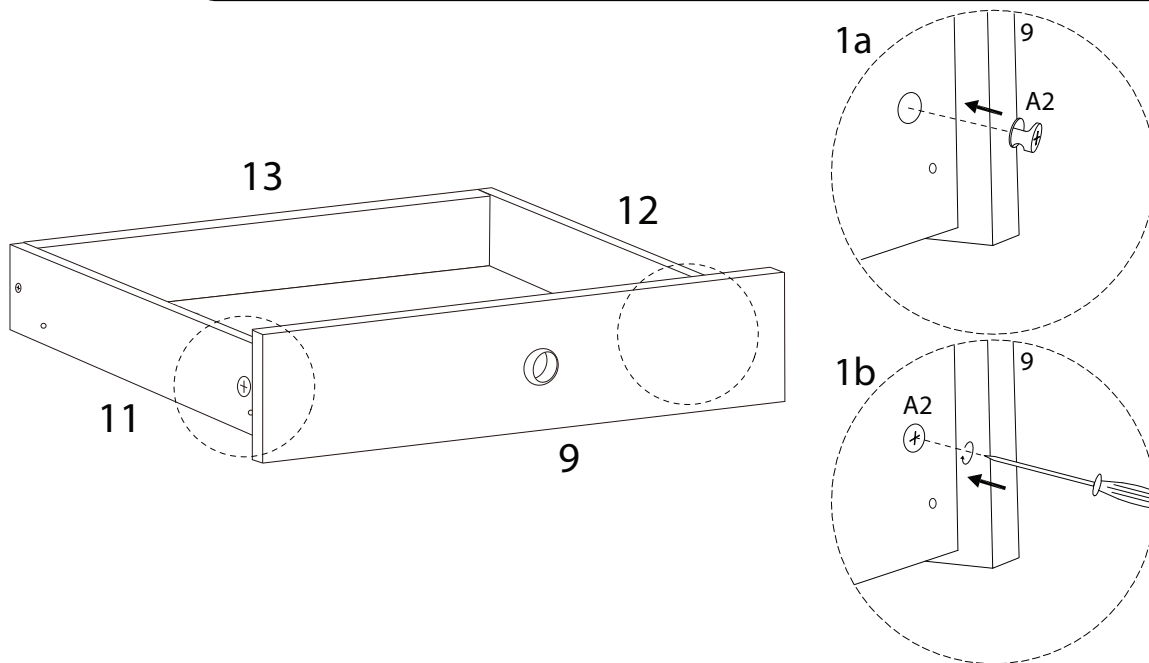
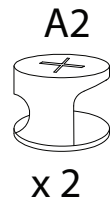
27



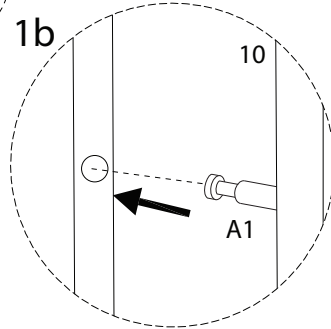
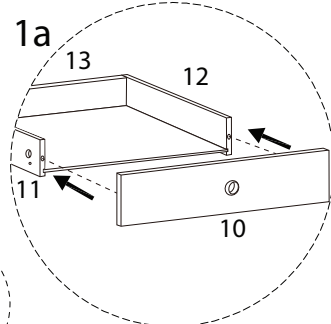
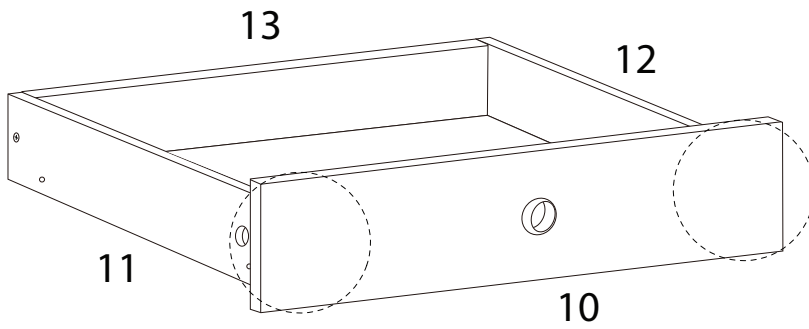
28



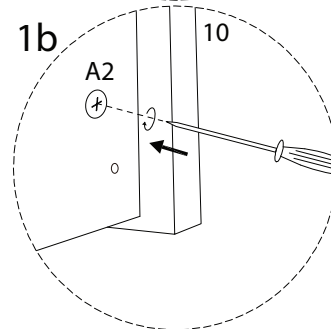
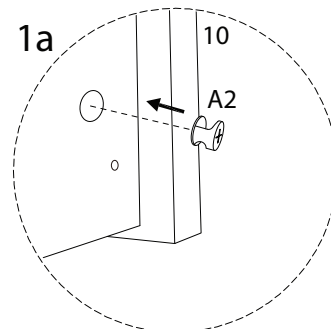
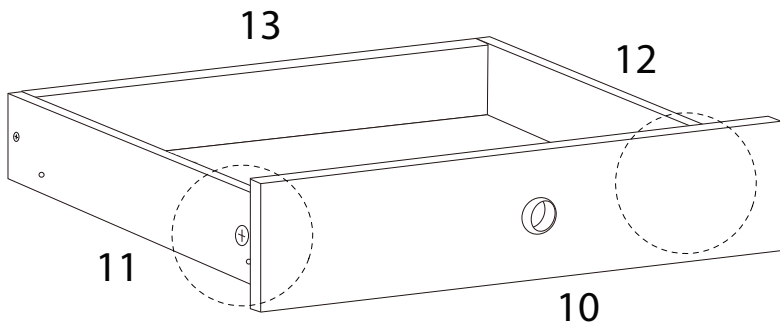
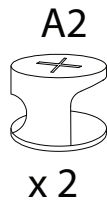
29



30

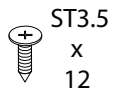


31



32

C1

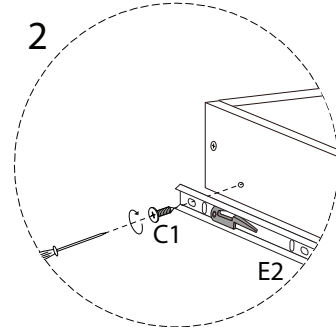
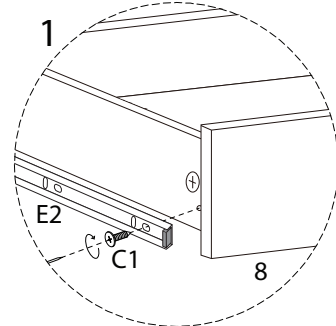
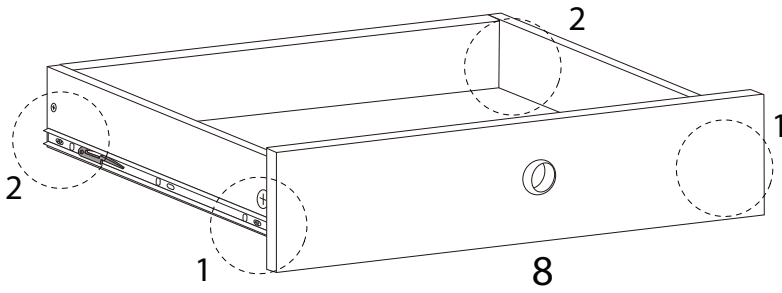


x 4

E2

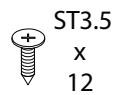


x 2



33

C1

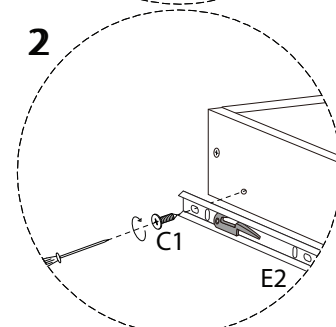
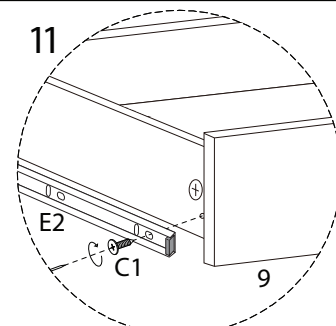
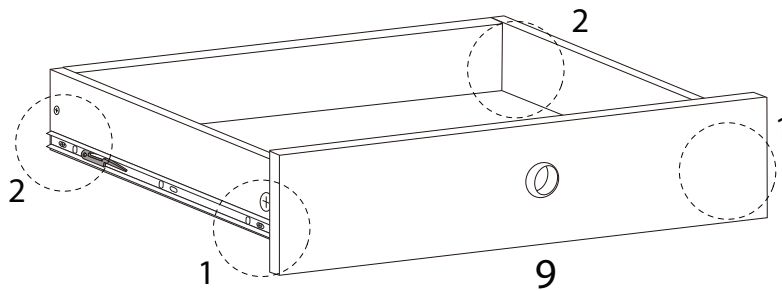


x 4

E2

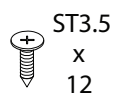


x 2



34

C1

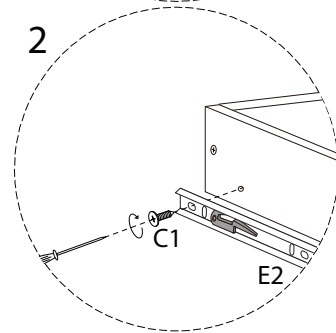
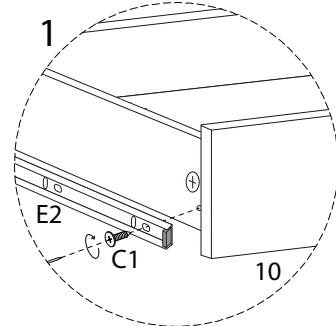
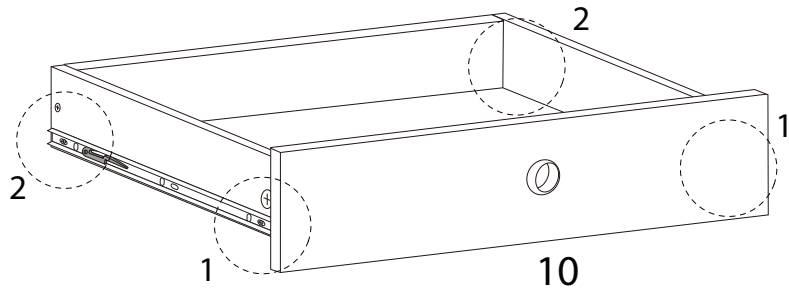


x 4

E2



x 2



35

