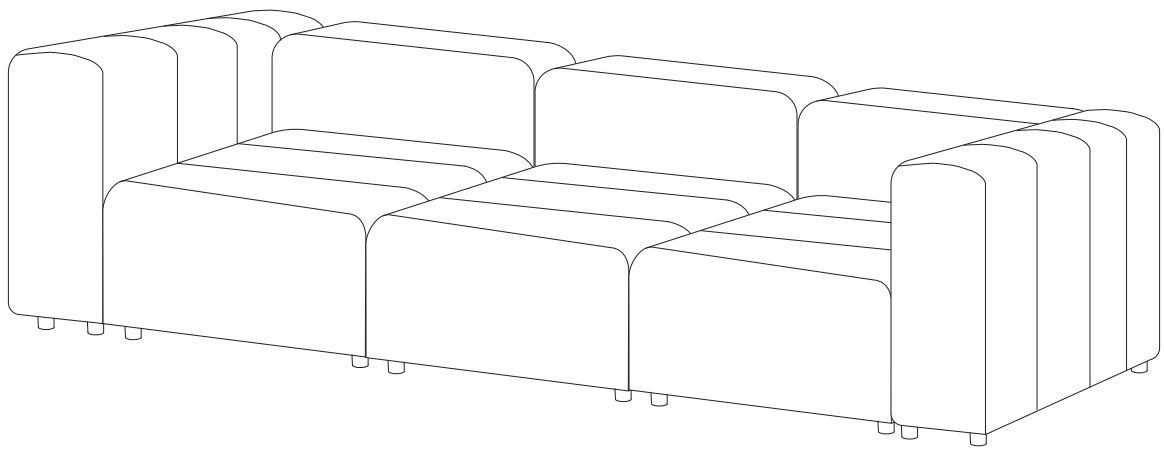


FALSTERBO



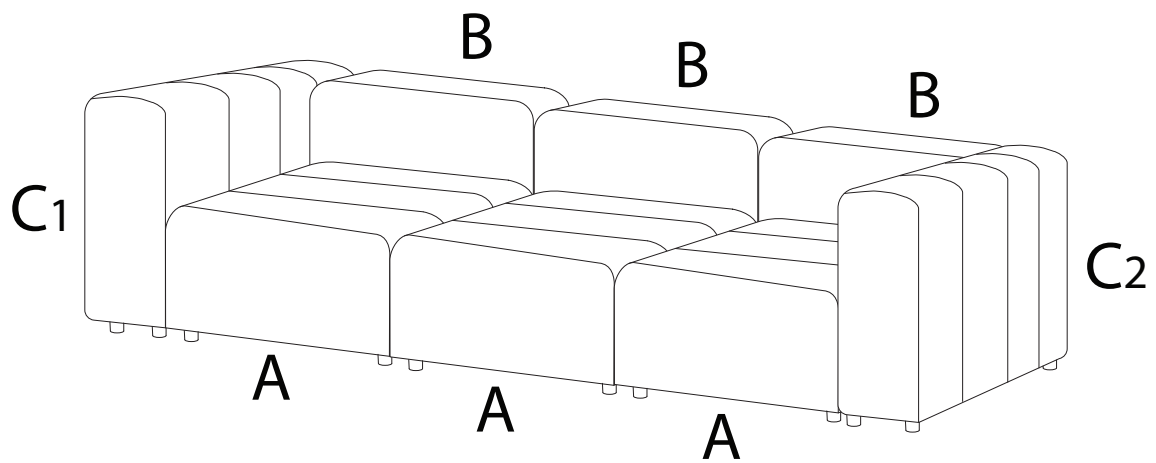
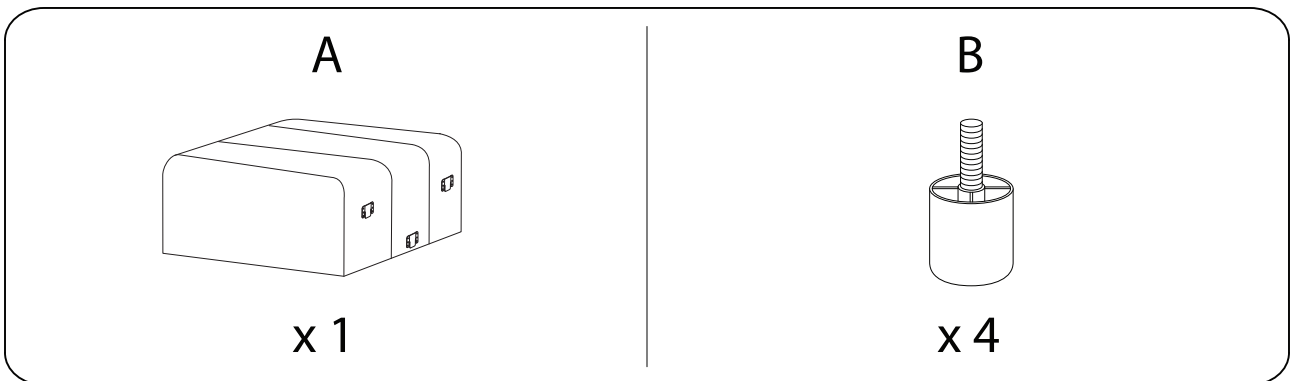
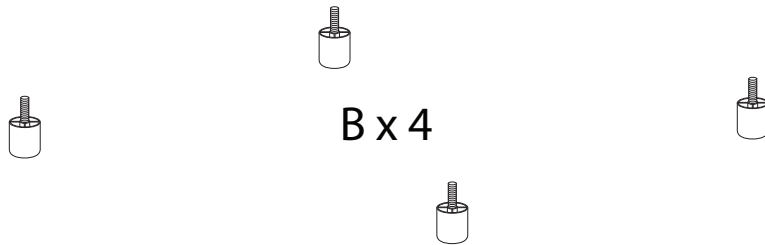
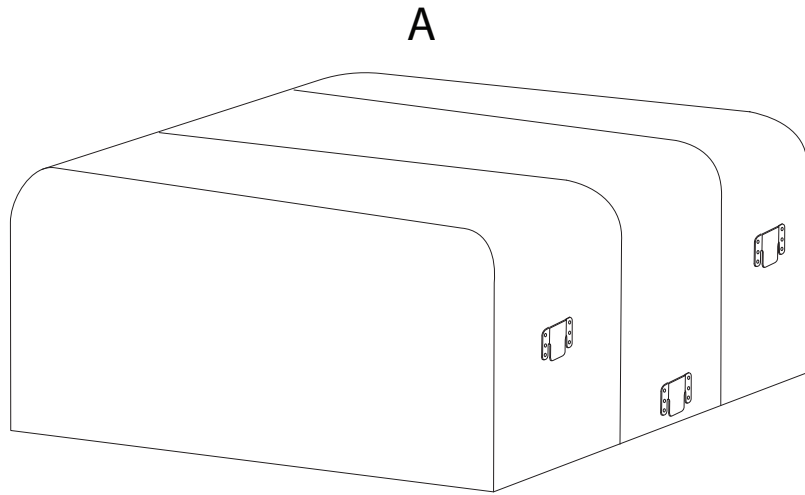


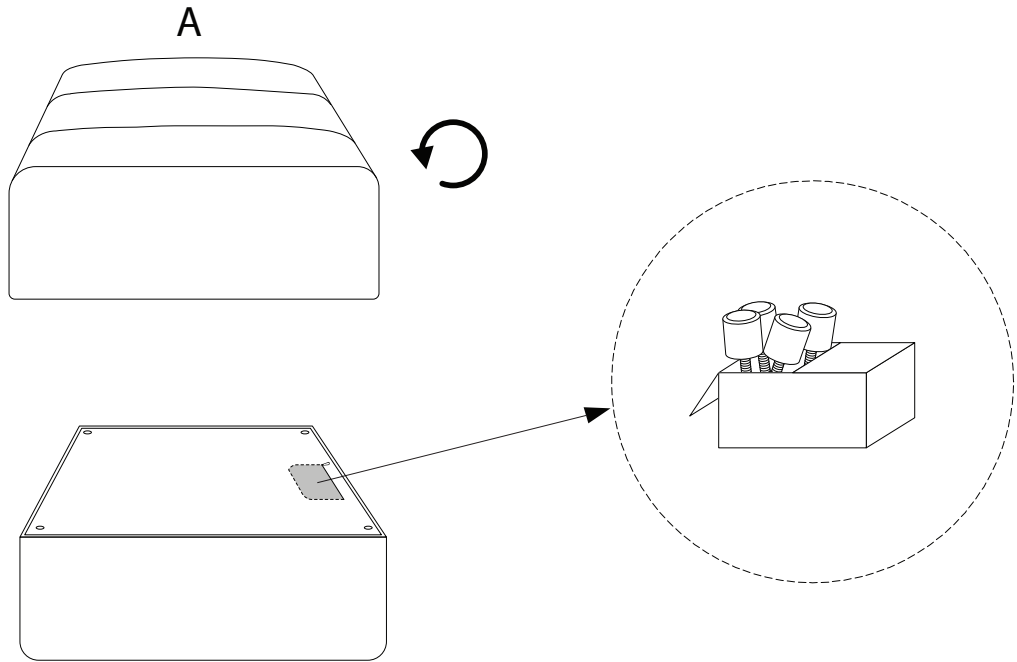
Diagram illustrating assembly instructions and warnings:

- Warning 1:** A crossed-out power drill icon indicates that a power drill should not be used for this step.
- Warning 2:** A crossed-out icon of a rectangular block being drilled from the bottom indicates that drilling should not be performed on the underside of the component.
- Time:** A clock icon with the text "45'" indicates that this step should take 45 minutes.
- Personnel:** An icon of a person with the text "1" indicates that one person is required for this step.

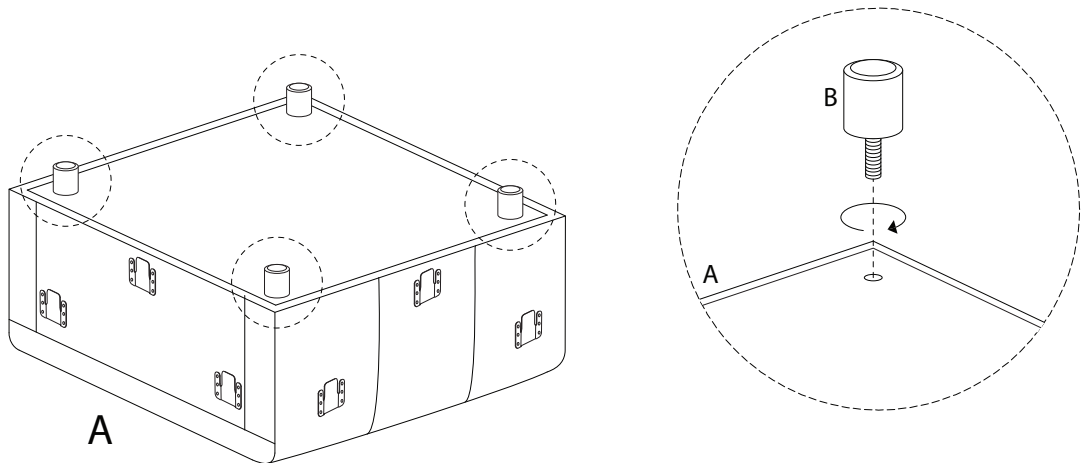
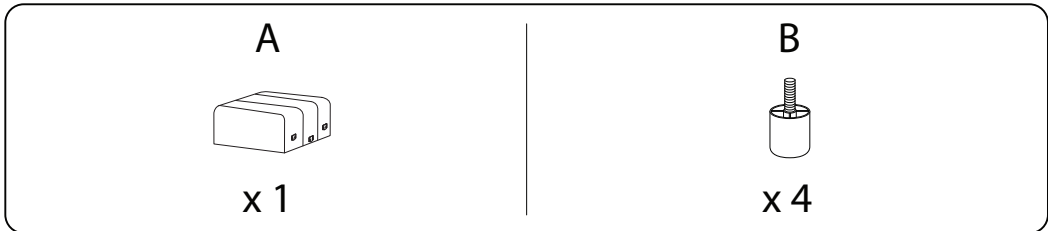
A



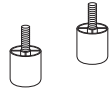
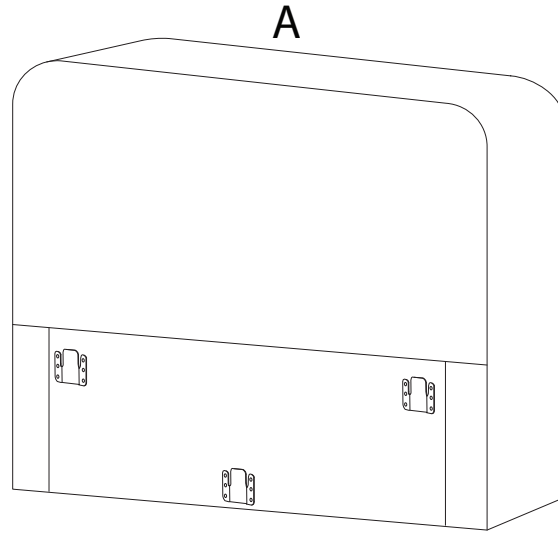
!



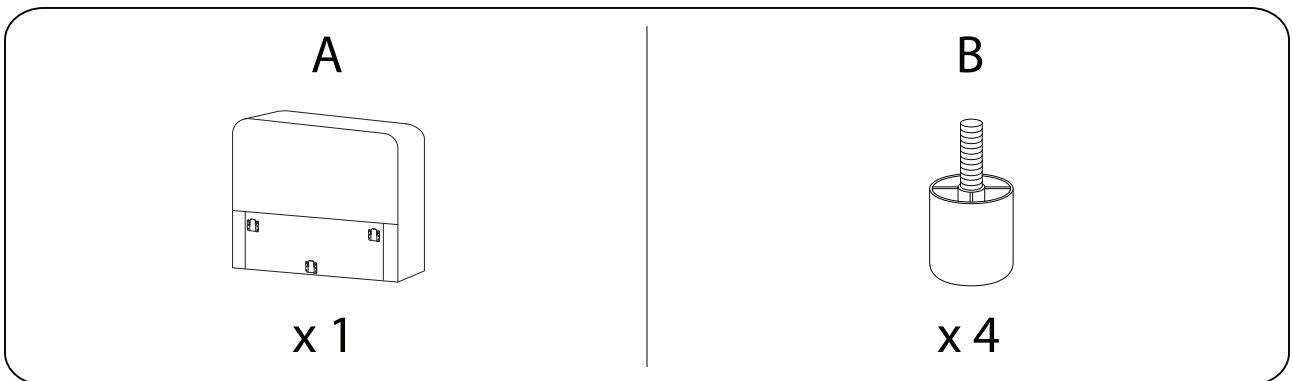
1



B

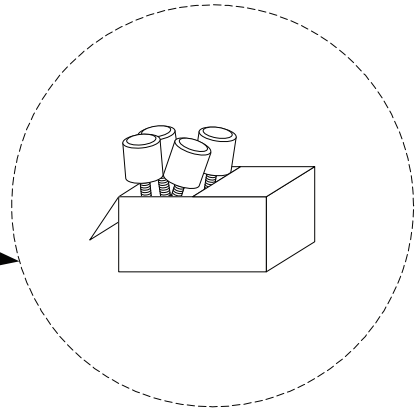
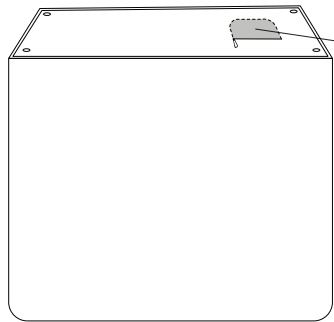
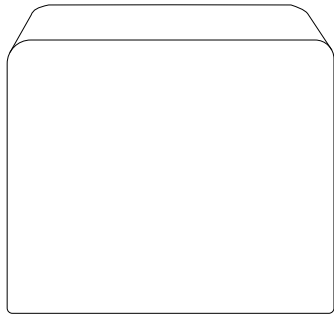


B x 4



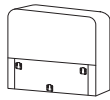
!

A



1

A

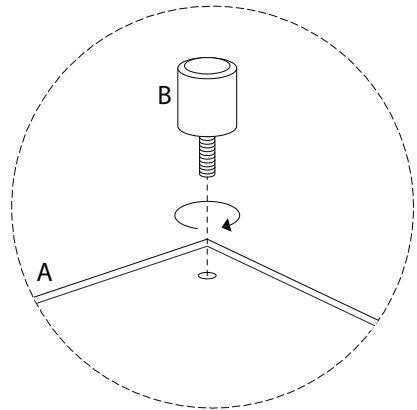
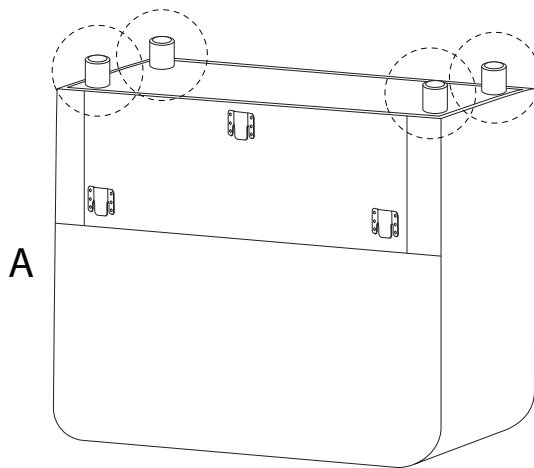


x 1

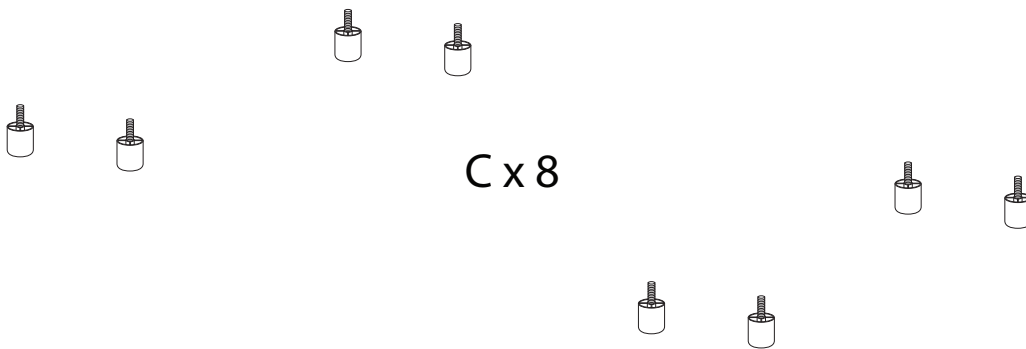
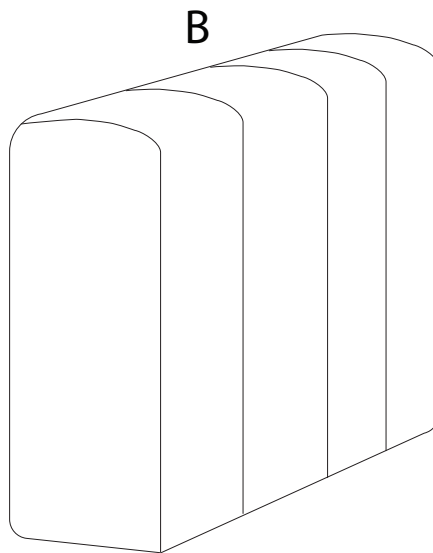
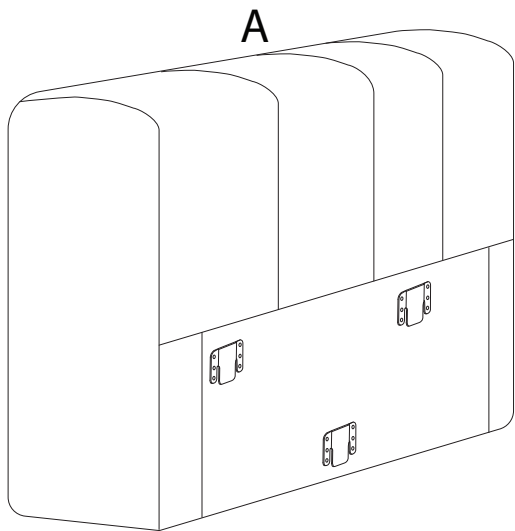
B

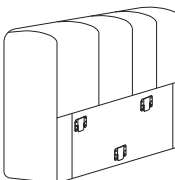
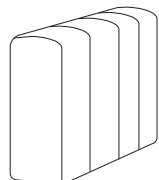
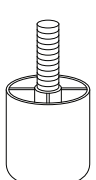


x 4



C

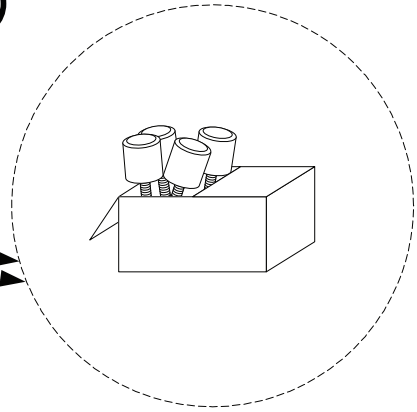
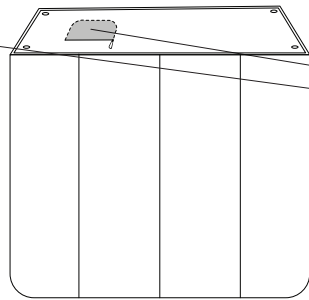
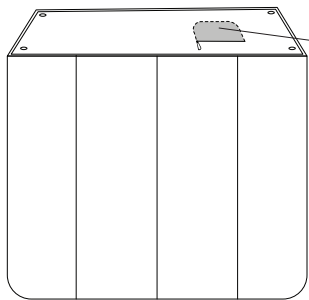
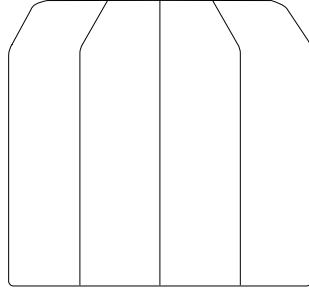
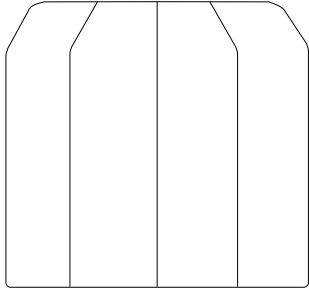


A	B	C
 x 1	 x 1	 x 8

!

A

B

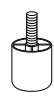
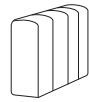
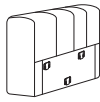


1

A

B

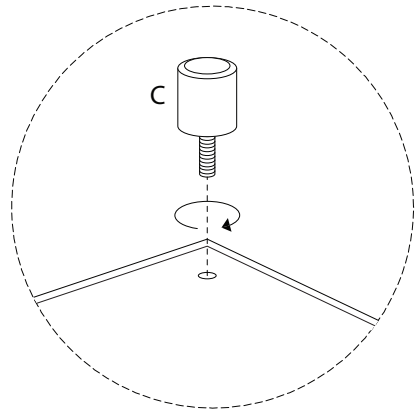
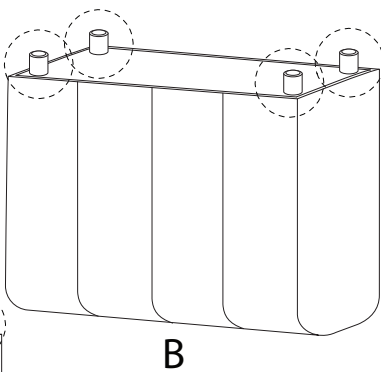
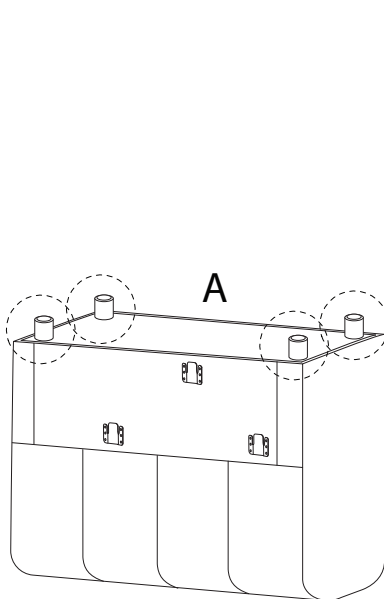
C



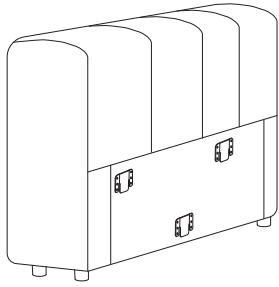
x 1

x 1

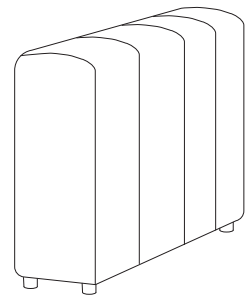
x 8



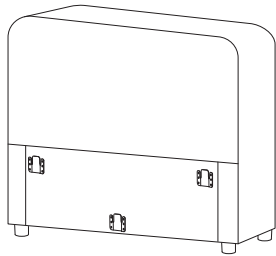
C1



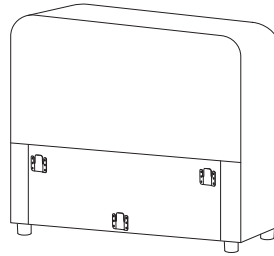
C2



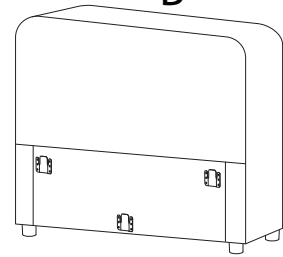
B



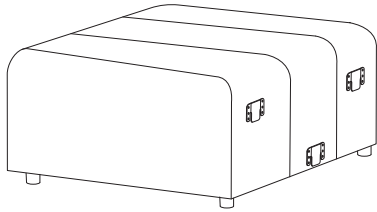
B



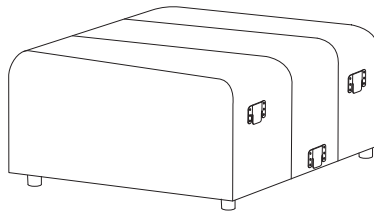
B



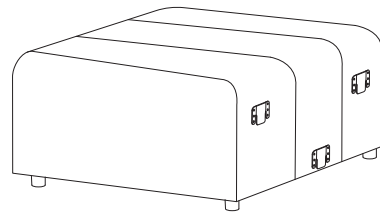
A



A



A

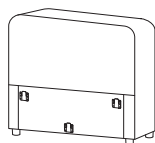


A



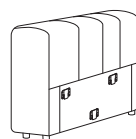
x 3

B



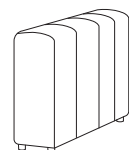
x 3

C1



x 1

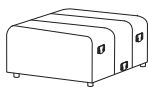
C2



x 1

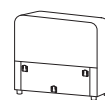
1 x 3

A

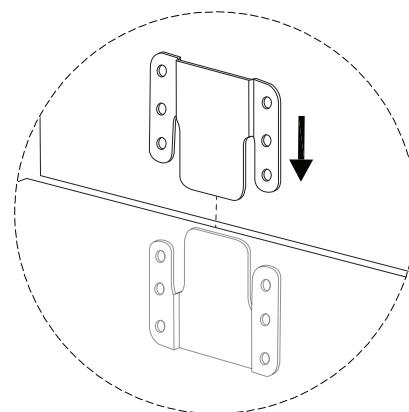
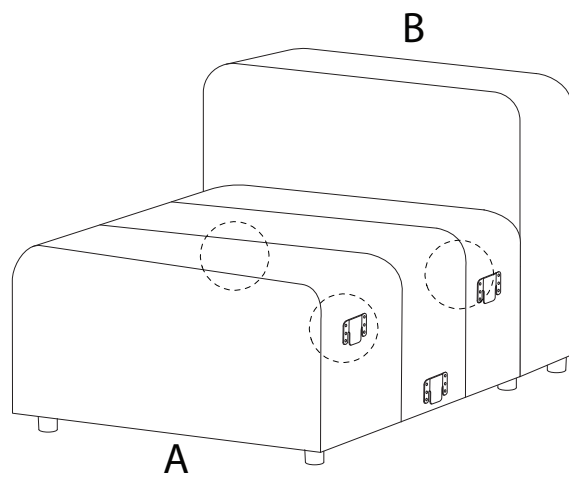


x 1

B



x 1



2

C₁

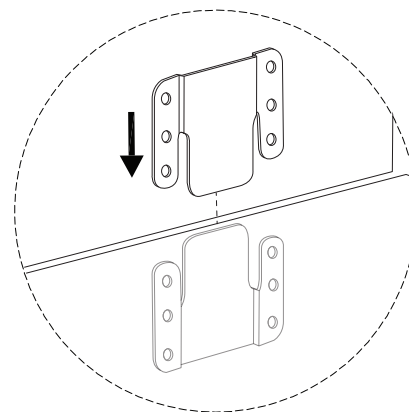
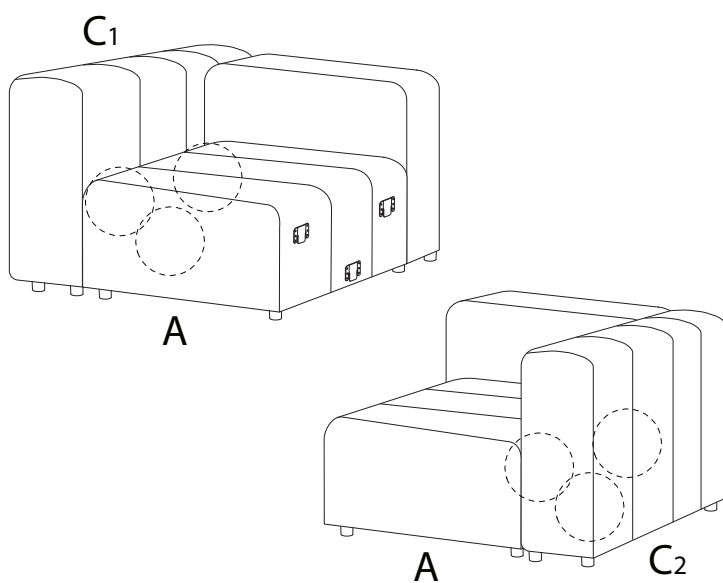


x 1

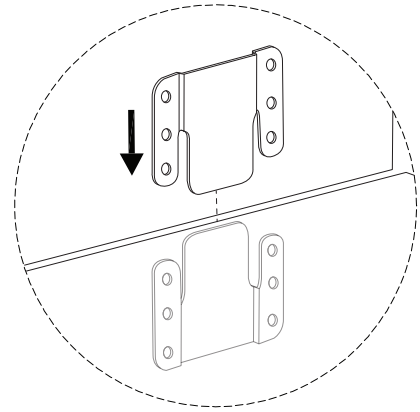
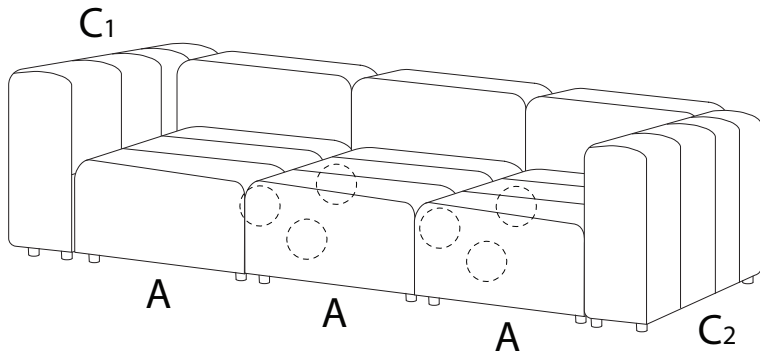
C₂



x 1



3



!

