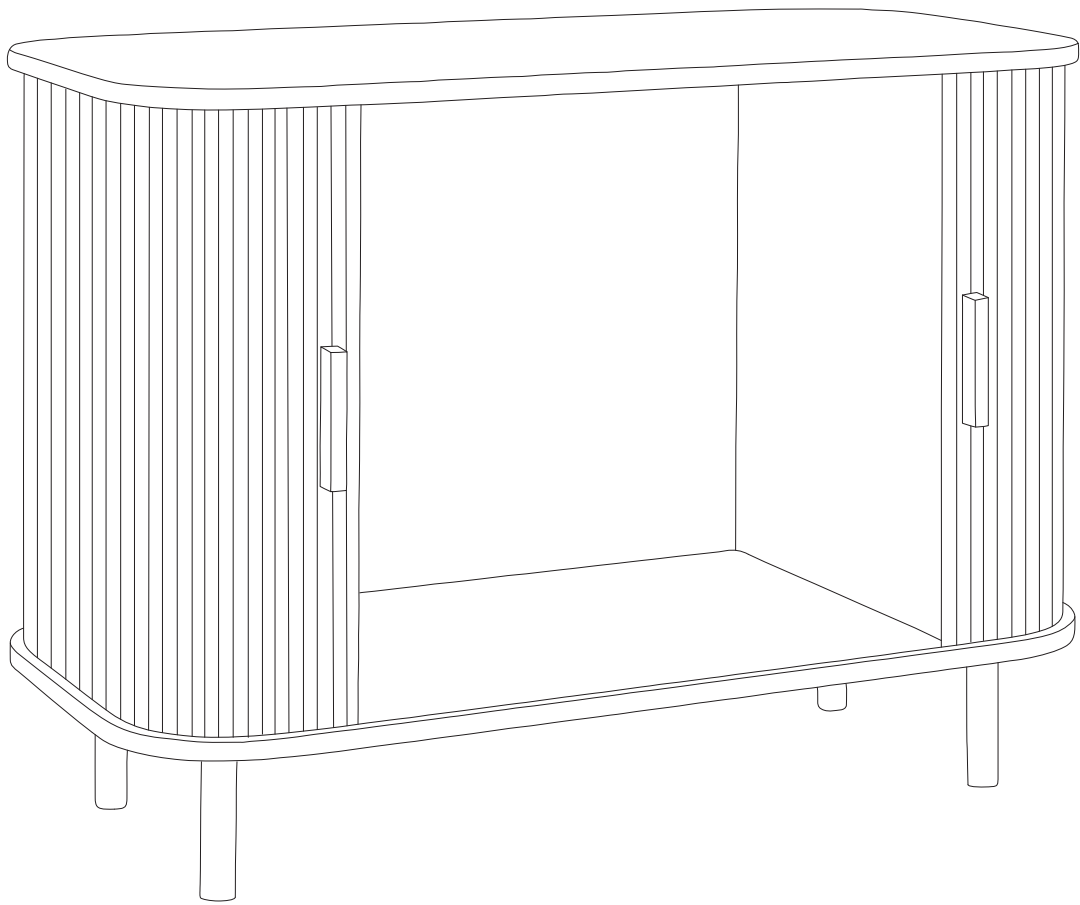
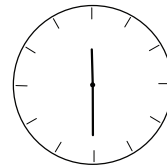
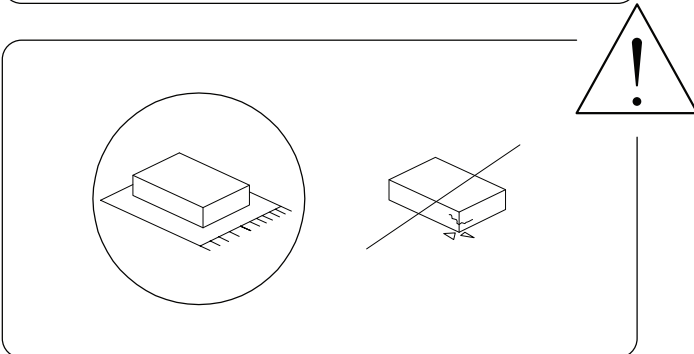
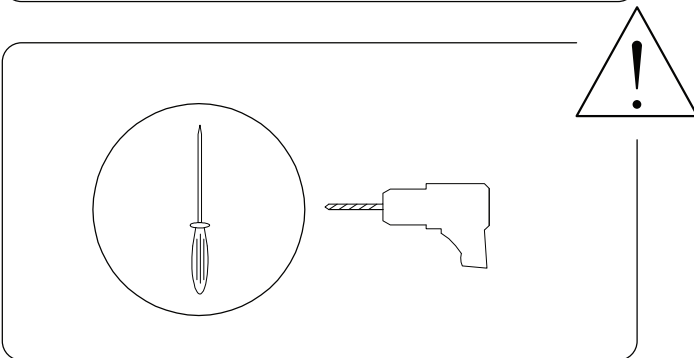
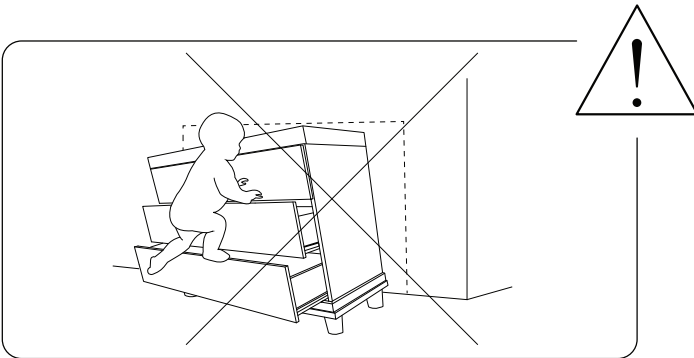
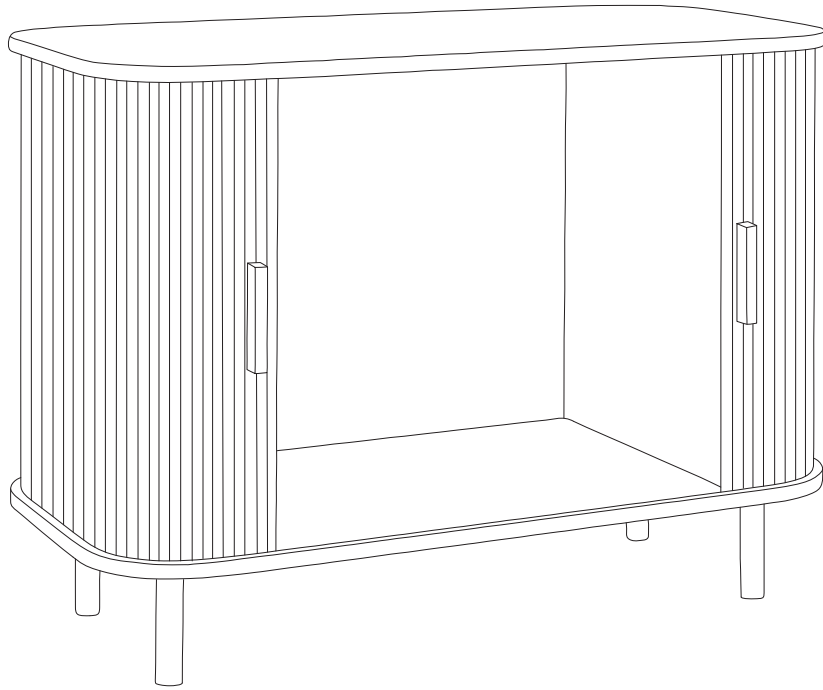


BRADLEY

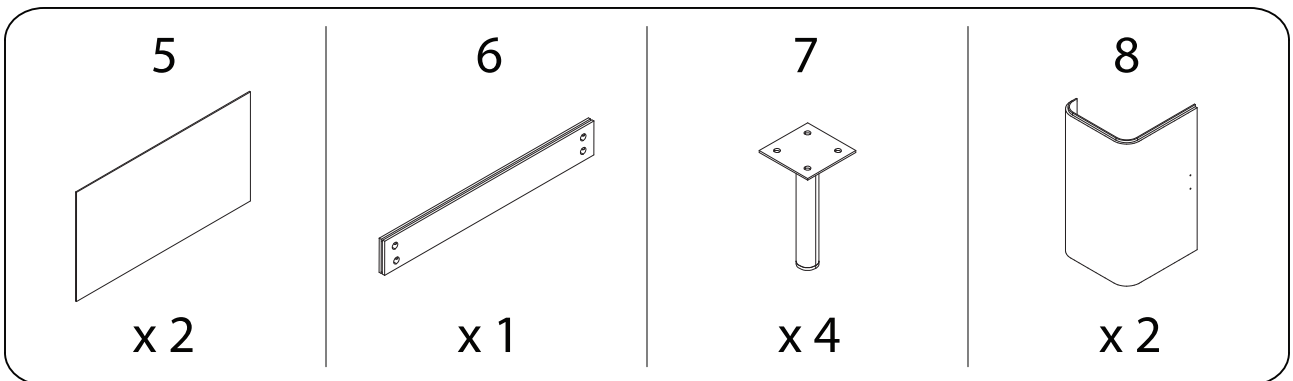
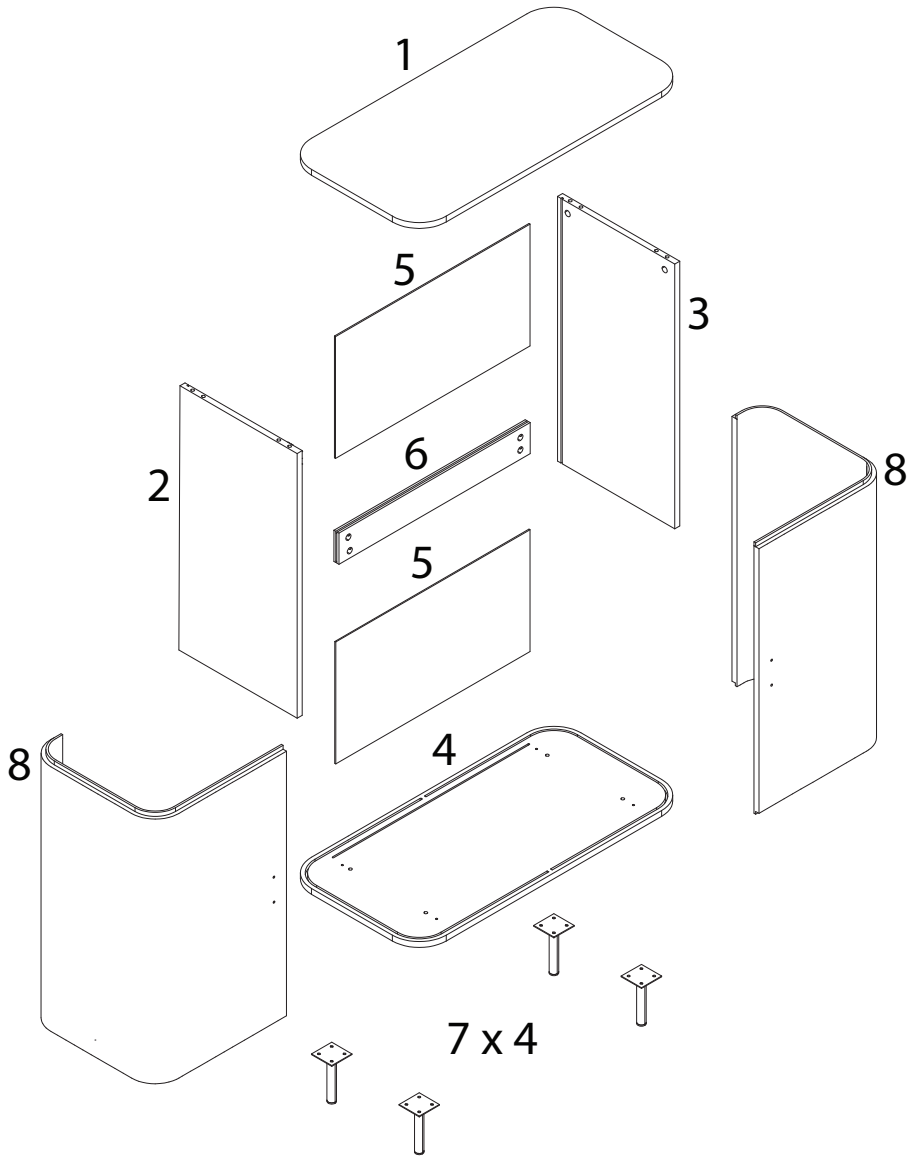
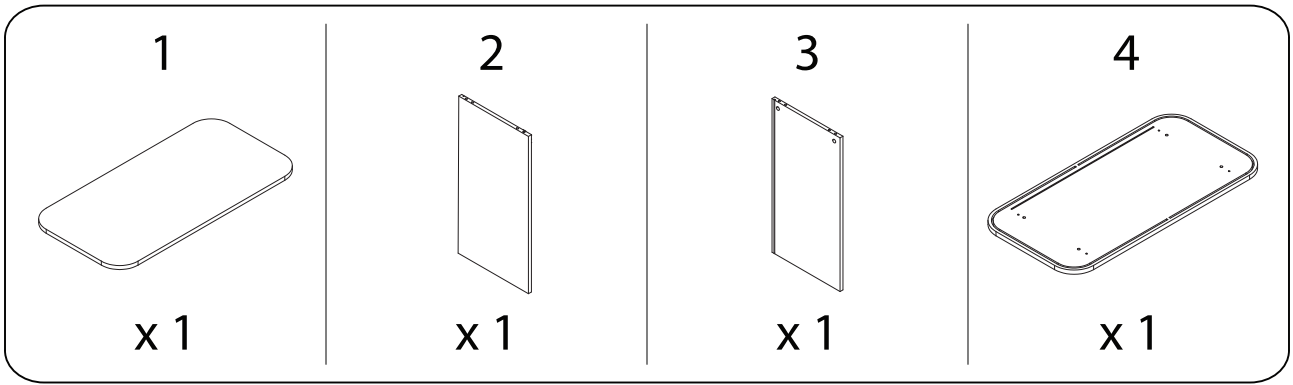




30'



2

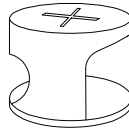


A



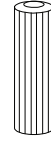
x 8

B



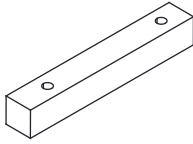
x 8

C



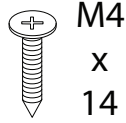
x 8

D



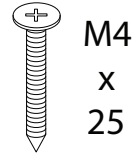
x 2

E



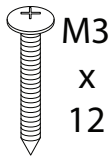
x 4

F



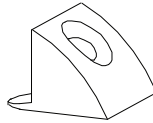
x 4

G



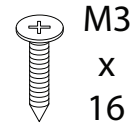
x 16

H



x 8

I



x 8

J1



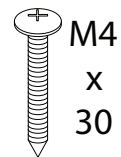
x 2

J2



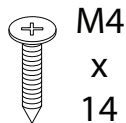
x 2

J3



x 4

J4



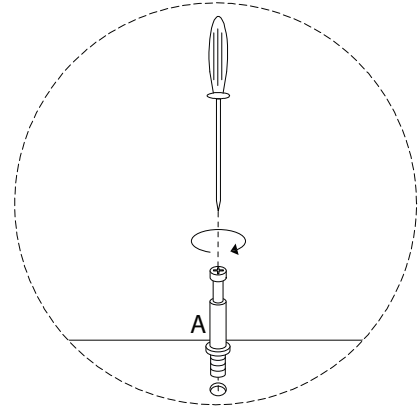
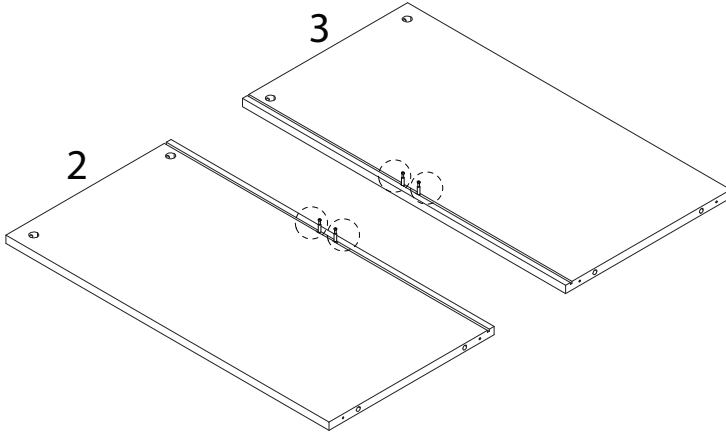
x 4

1

2
x1

3
x1

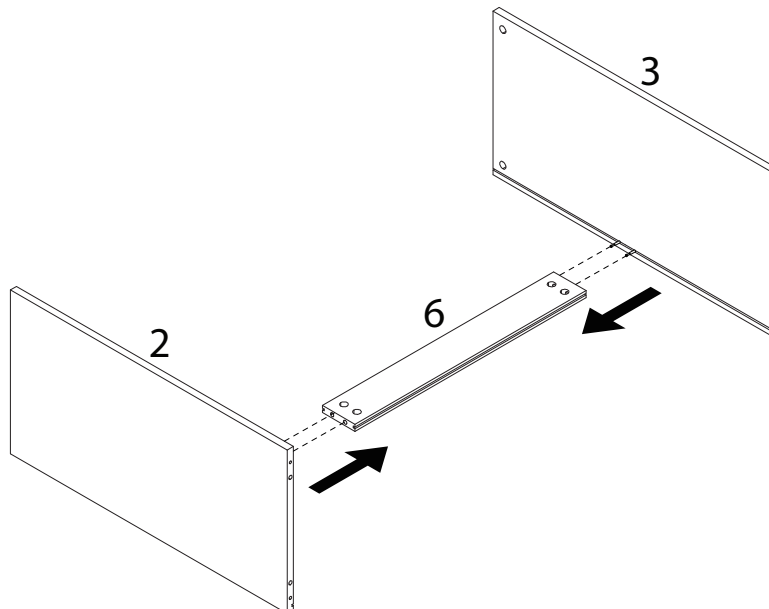
A
x4



2

6

x1

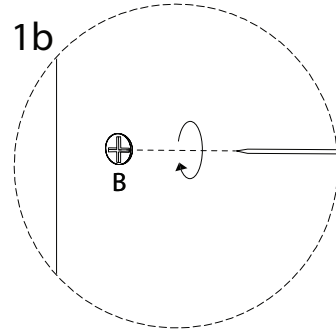
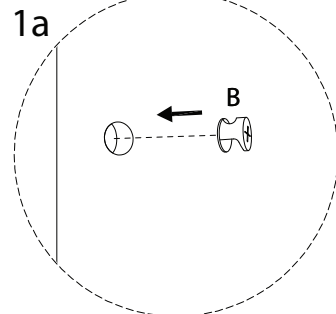
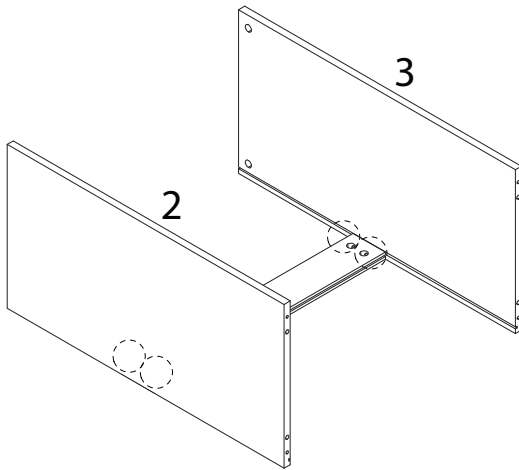


3

B

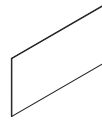


x 4

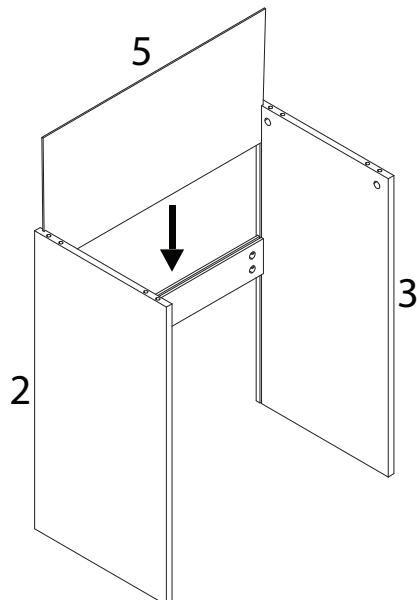


4

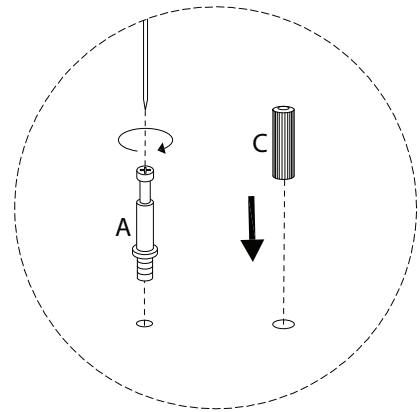
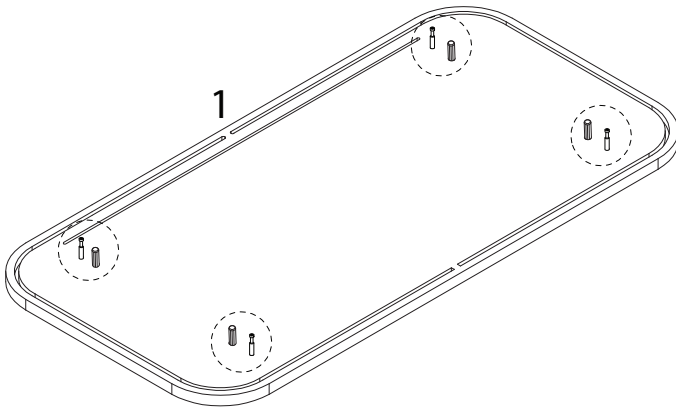
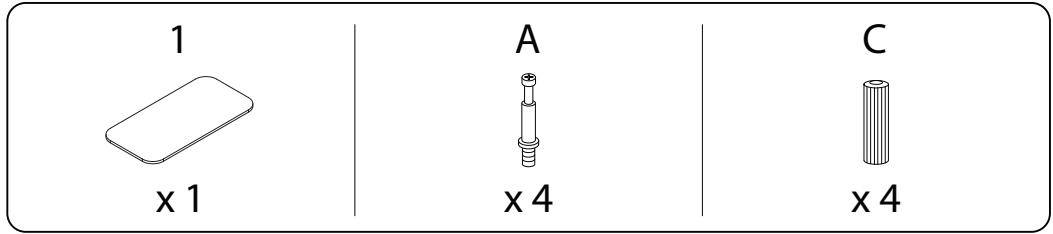
5



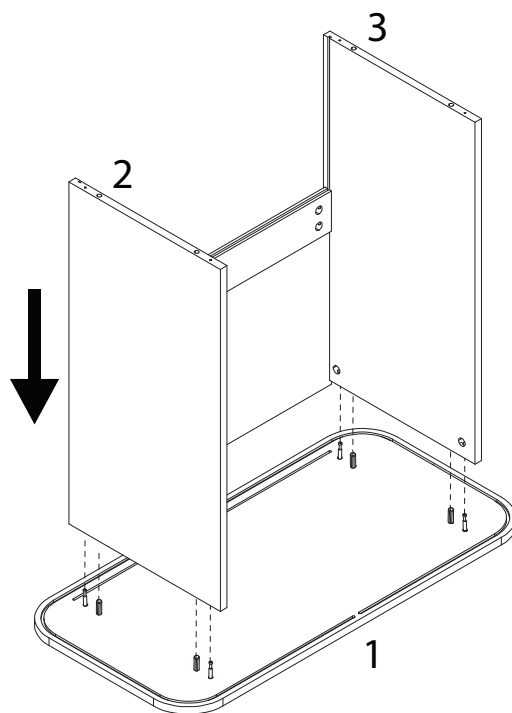
x 1



5



6

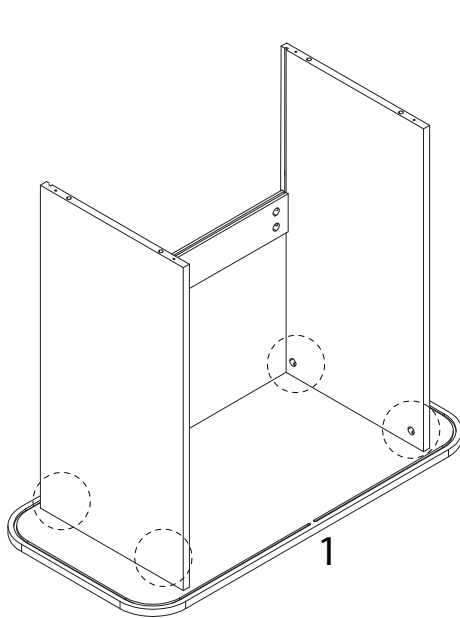


7

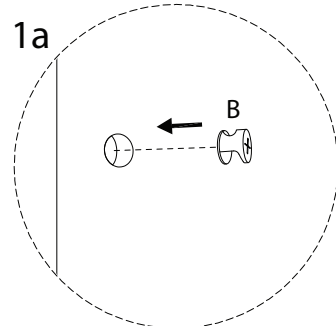
B



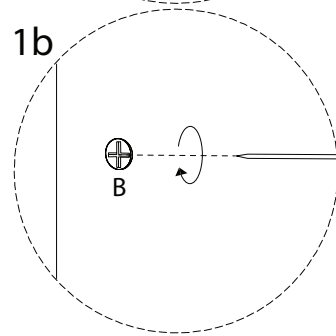
x 4



1a

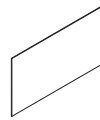


1b

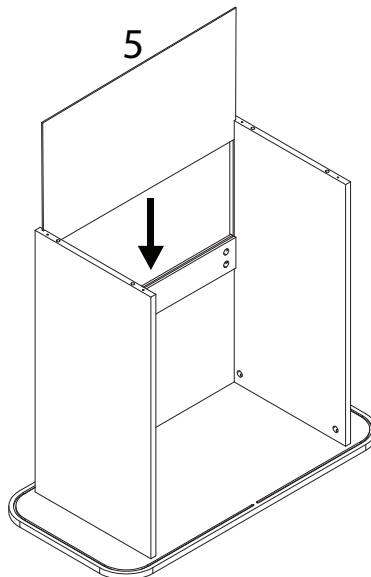


8

5



x 1

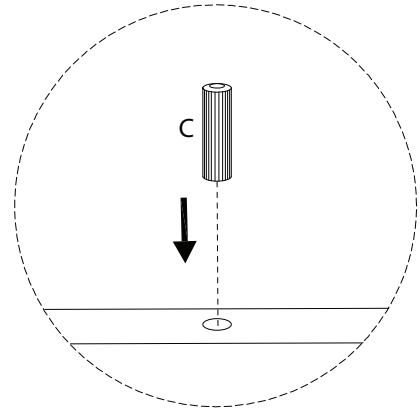
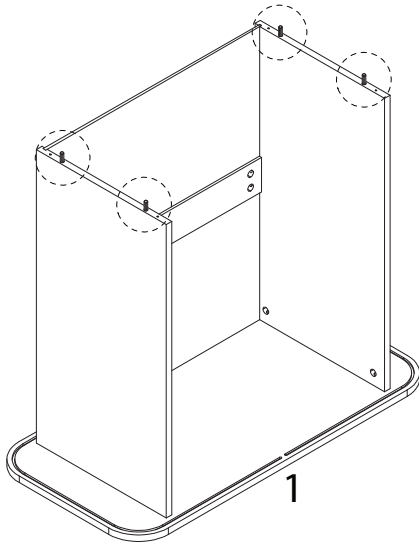


9

C

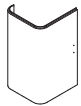


x4



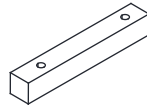
10 x 2

8



x1

D

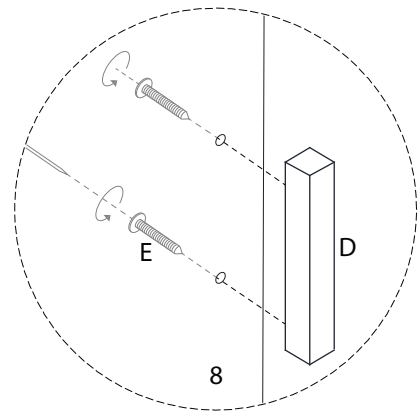
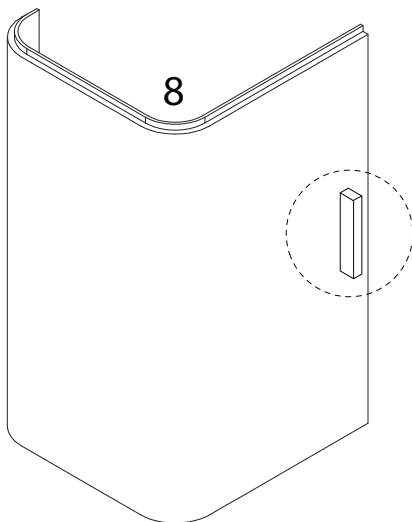


x1

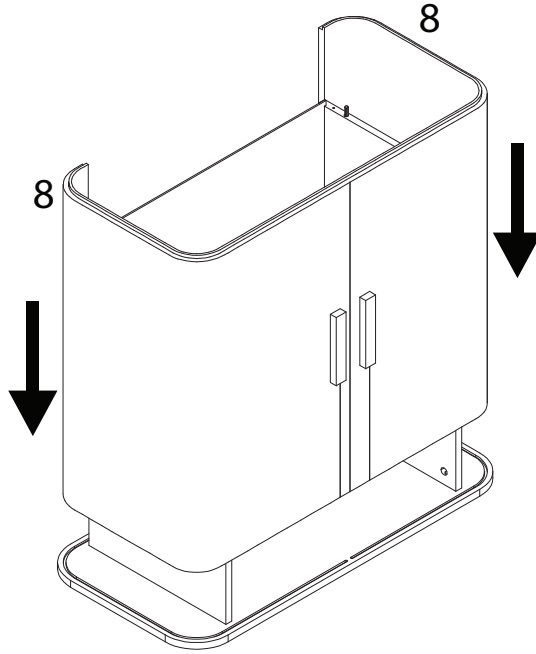
E



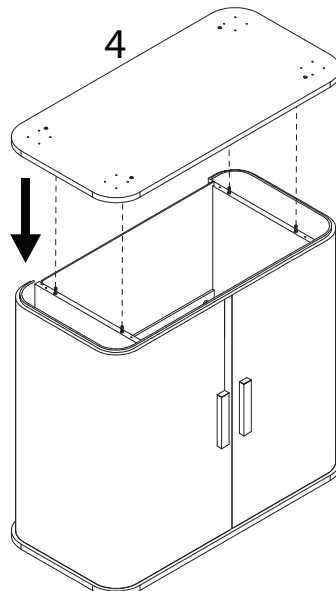
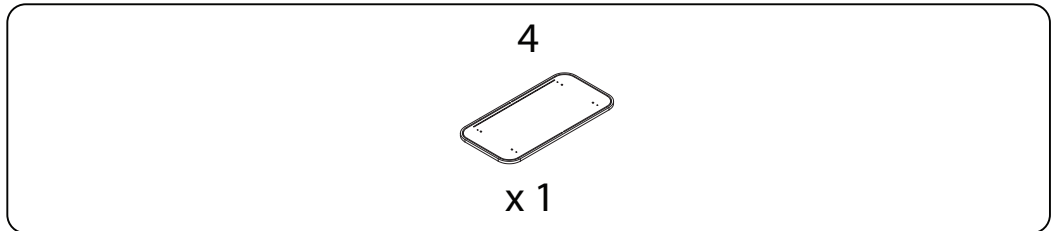
x2



11

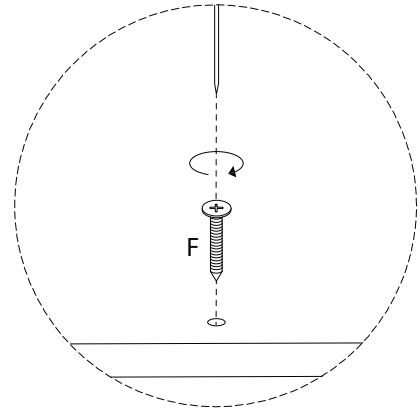
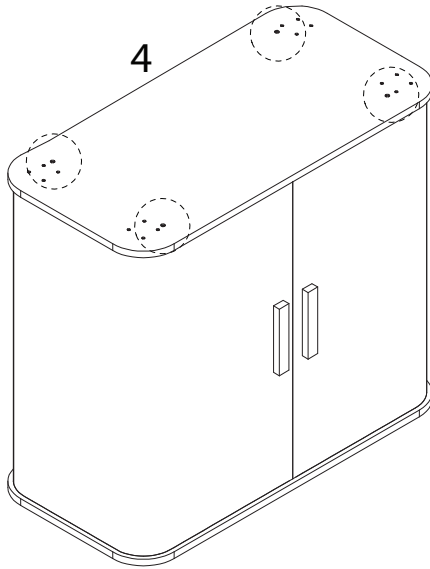


12



13

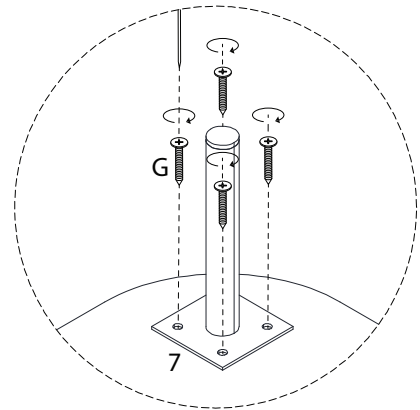
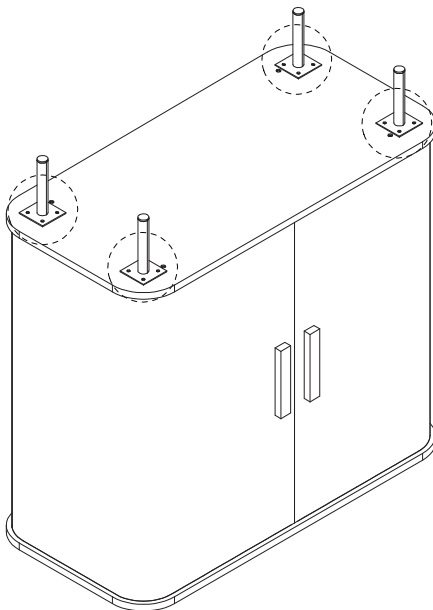
F
M4
x
25
x 4



14

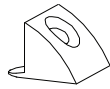
7
x 4

G
M3
x
12
x 16



15

H

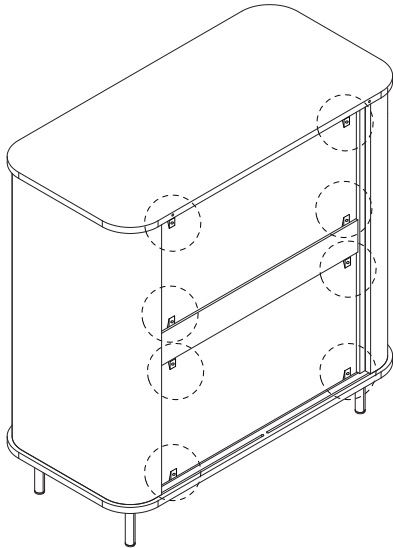


x 8

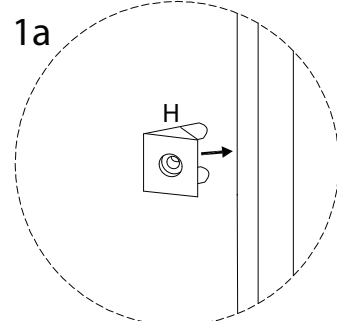
I



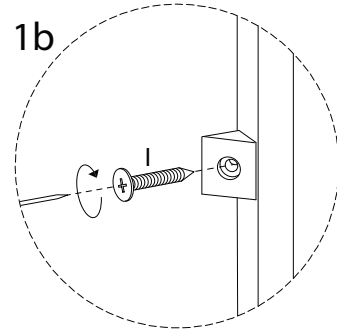
x 8



1a



1b



16

J1



x 2

J2



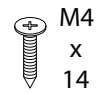
x 2

J3

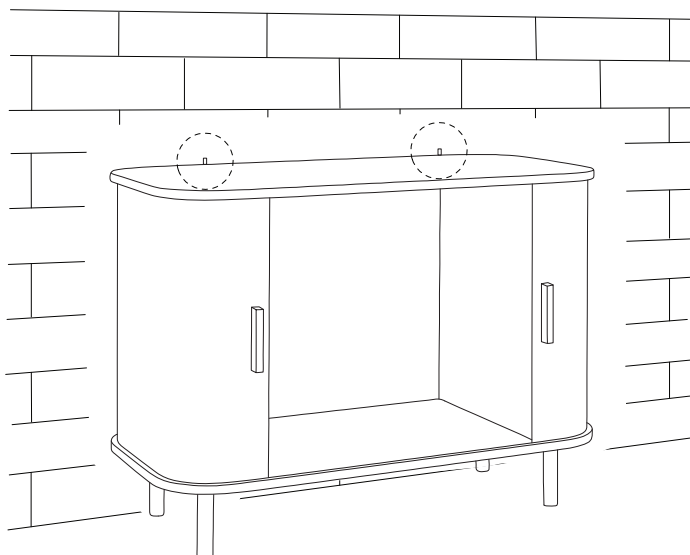


x 2

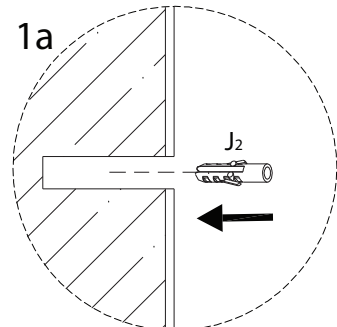
J4



x 2



1a



1b

