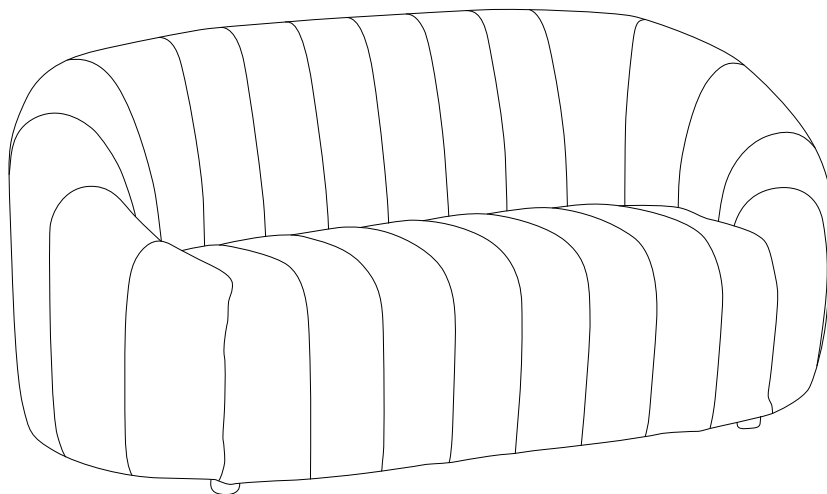
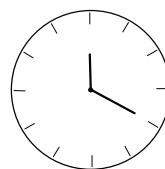
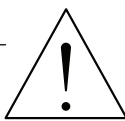
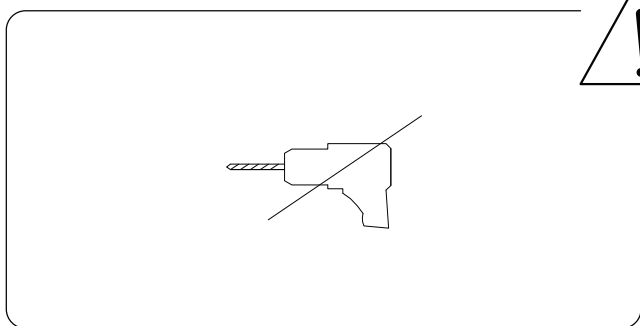
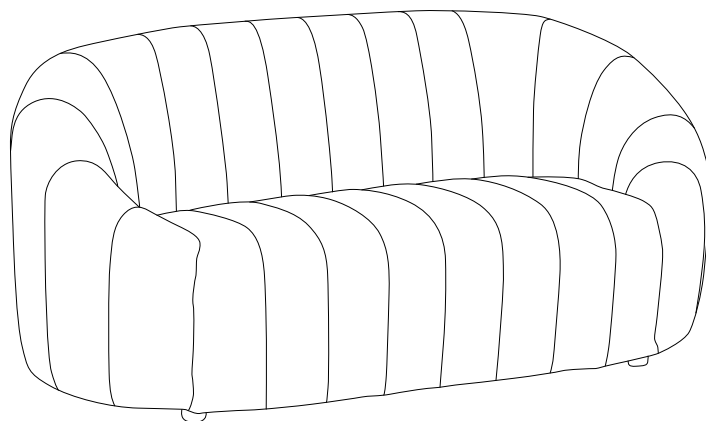
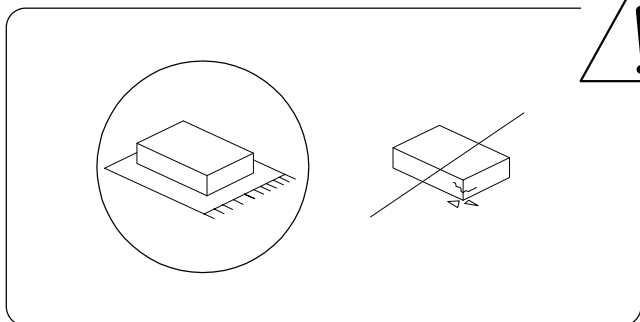


MALUNG



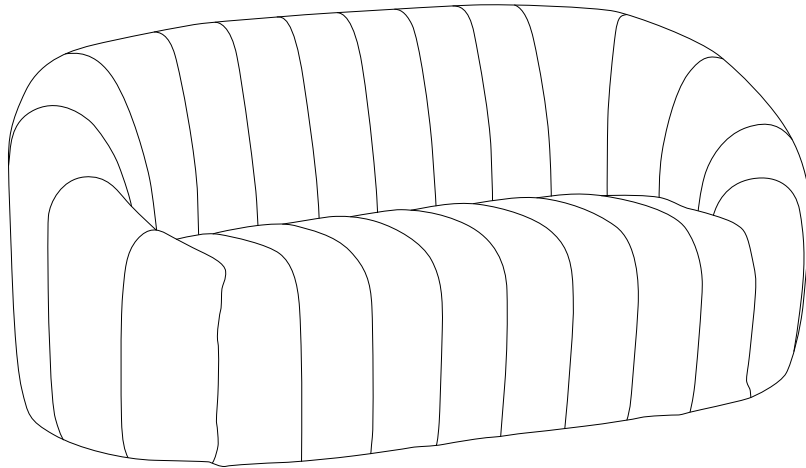


20'



2

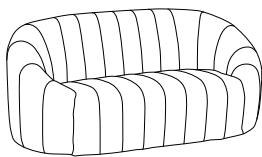
A



B x 4

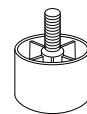


A



x 1

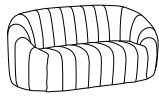
B



x 4

1

A



x 1

B



x 4

A

