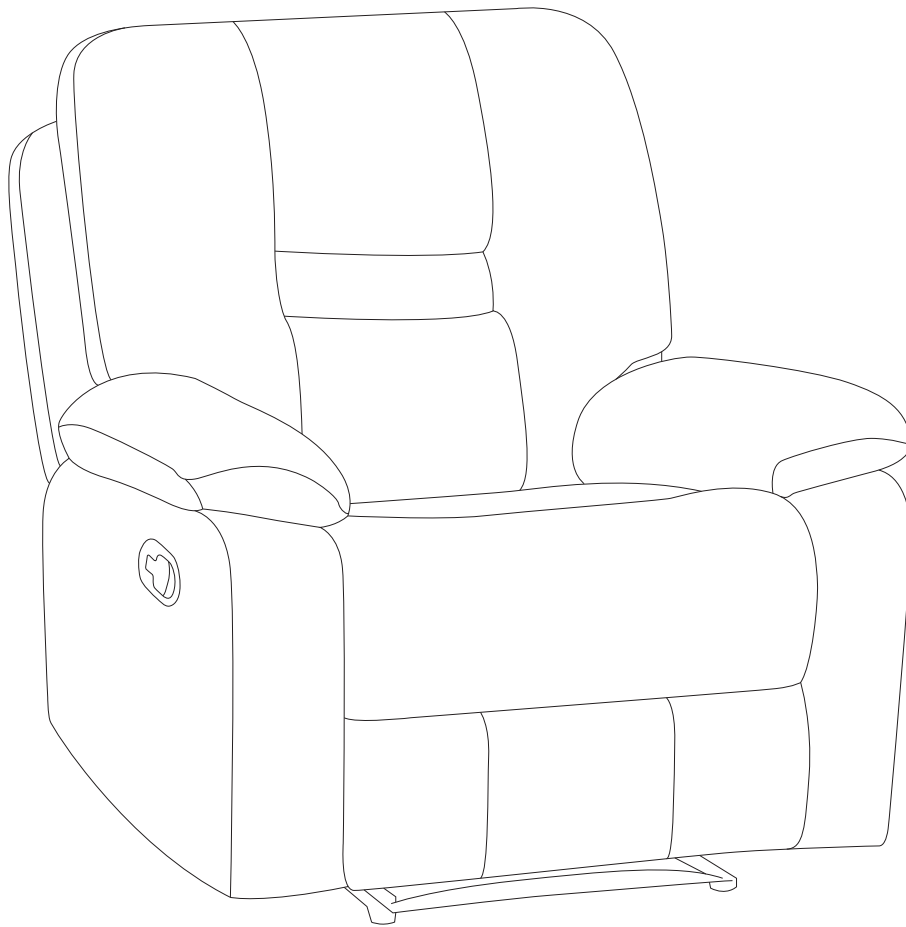


# BERGEN



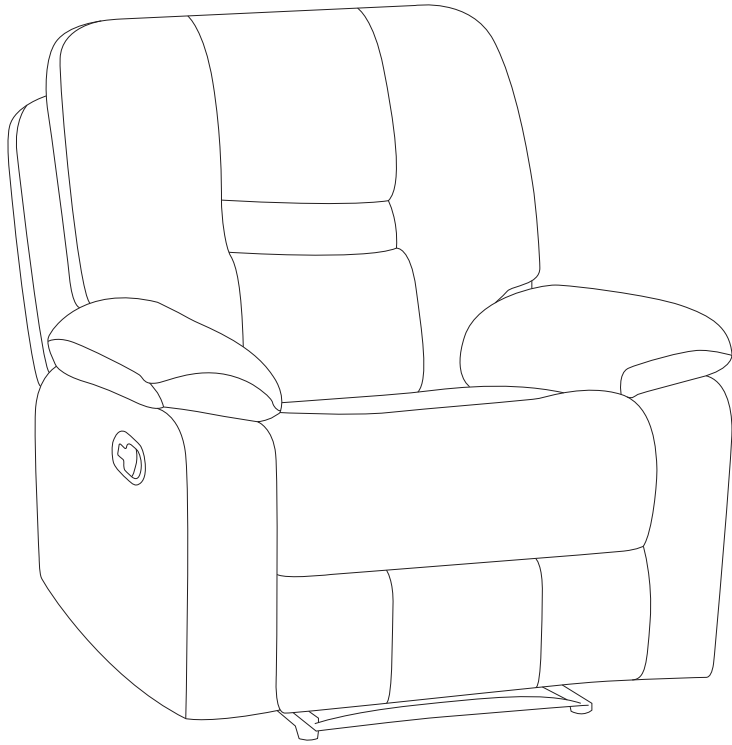
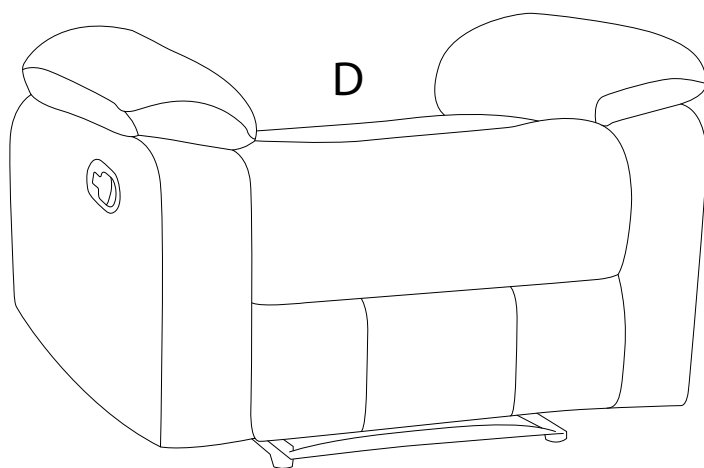
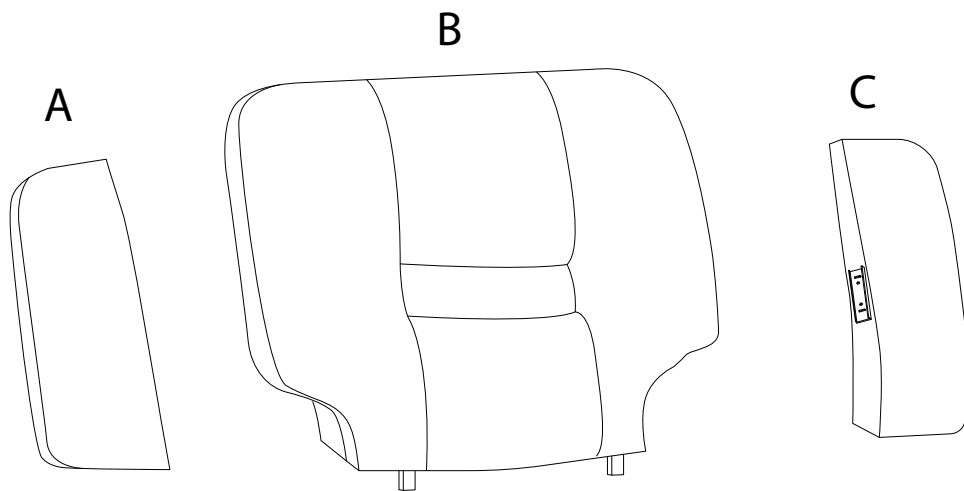

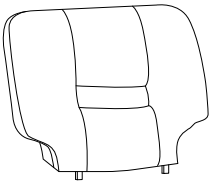
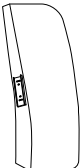
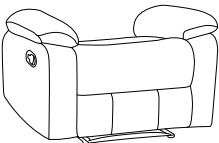


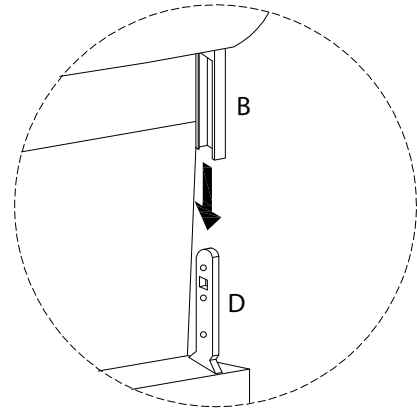
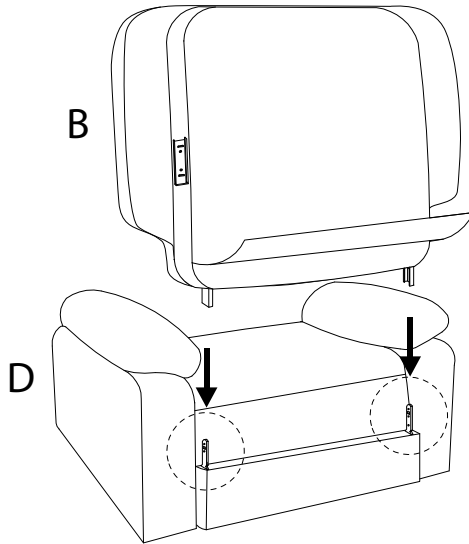
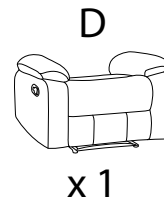
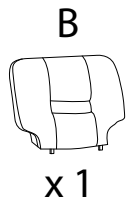
Diagram illustrating assembly instructions and warnings:

- Warning 1:** A crossed-out power drill icon indicates that a power drill should not be used for assembly.
- Warning 2:** A crossed-out icon of a block being drilled from the bottom indicates that drilling should not be performed from the underside of the component.
- Time:** A clock icon with the text "15'" indicates that the assembly step takes 15 minutes.
- Person:** An icon of a person with the text "1" indicates that one person is required for this step.

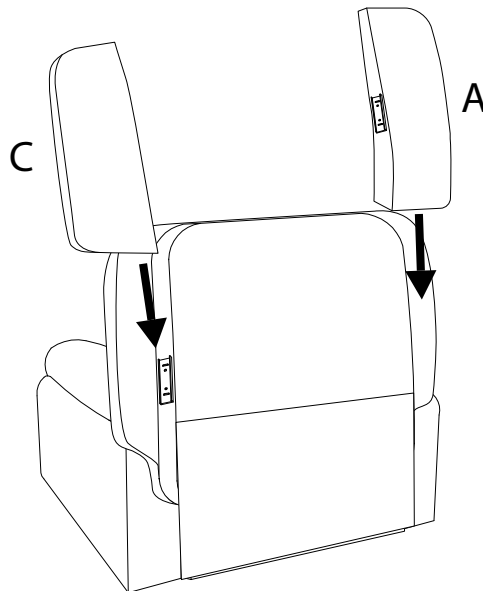


A	B	C	D
			
x 1	x 1	x 1	x 1

1



2



!

