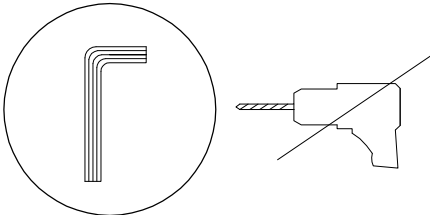

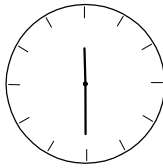
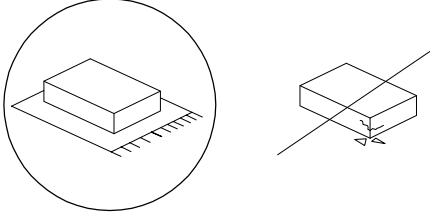
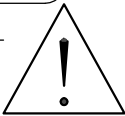
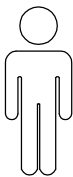
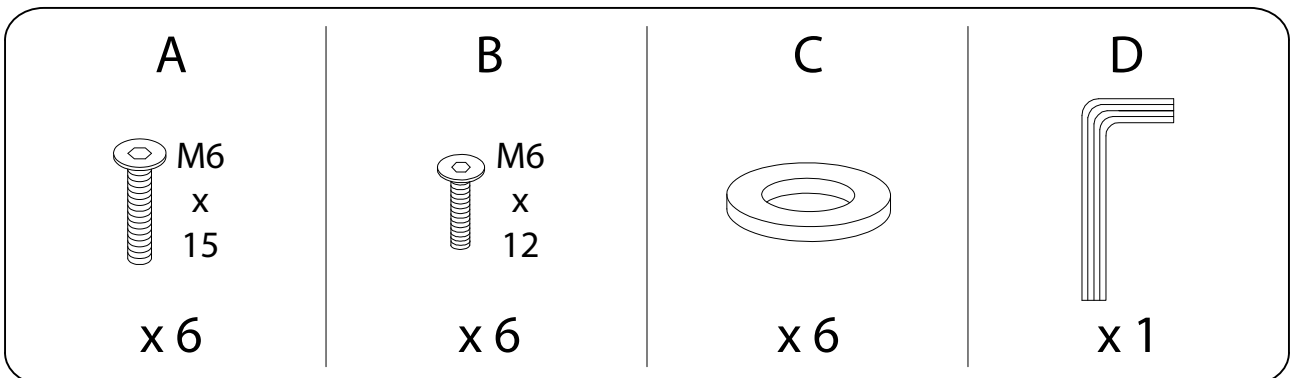
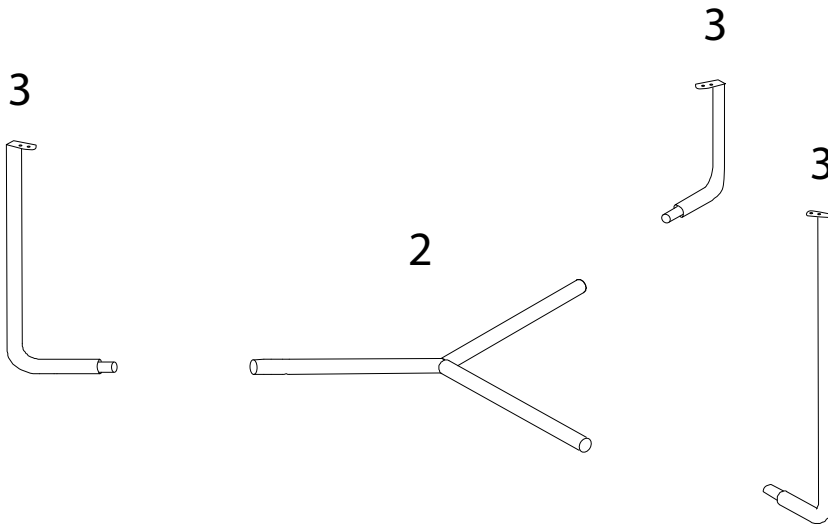
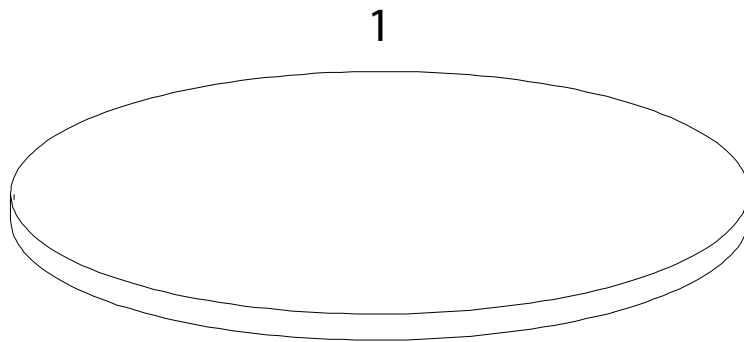
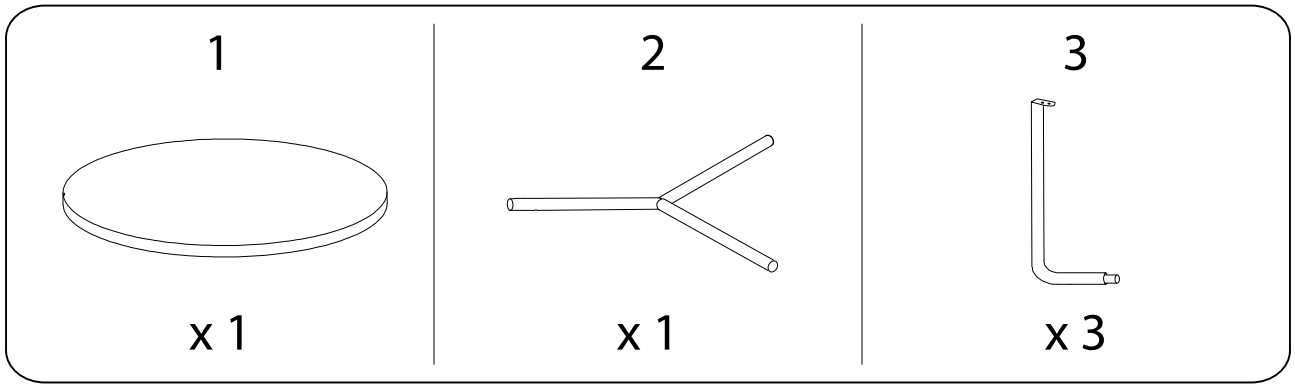
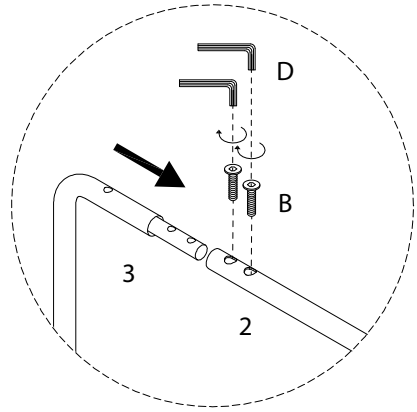
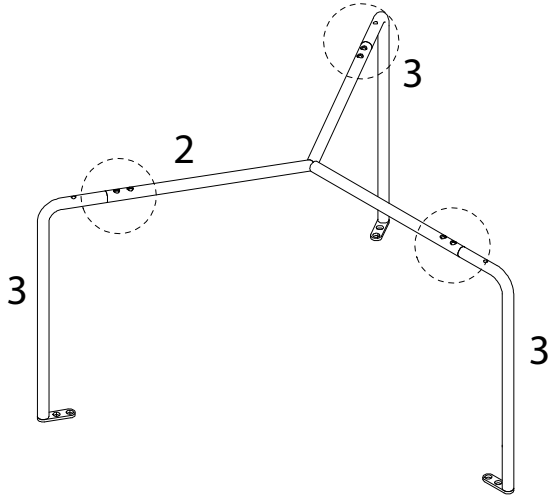
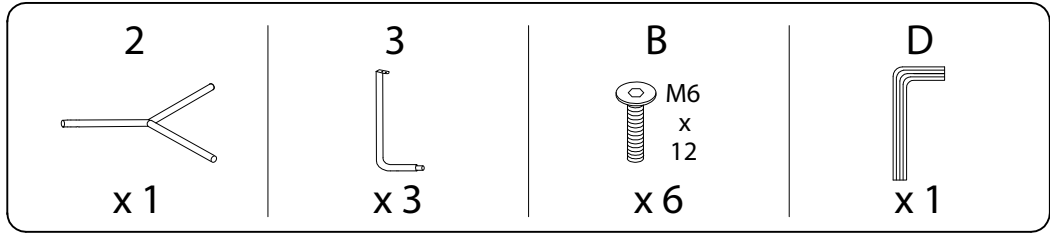


| | | |
|------------------------------------------------------------------------------------------------------------------------------------------------------------------------------------------------------------------------------------------------------------|-------------------------------------------------------------------------------------|---------------------------------------------------------------------------------------|
|  <p>A circular inset shows an L-shaped metal bracket. To its right is a power drill with a diagonal line through it, indicating it should not be used on this part.</p> |  |  |
|  <p>A circular inset shows a rectangular metal plate. To its right is a power drill with a diagonal line through it, indicating it should not be used on this part.</p> |  |  |
| <p>1</p> | | |



1



2

