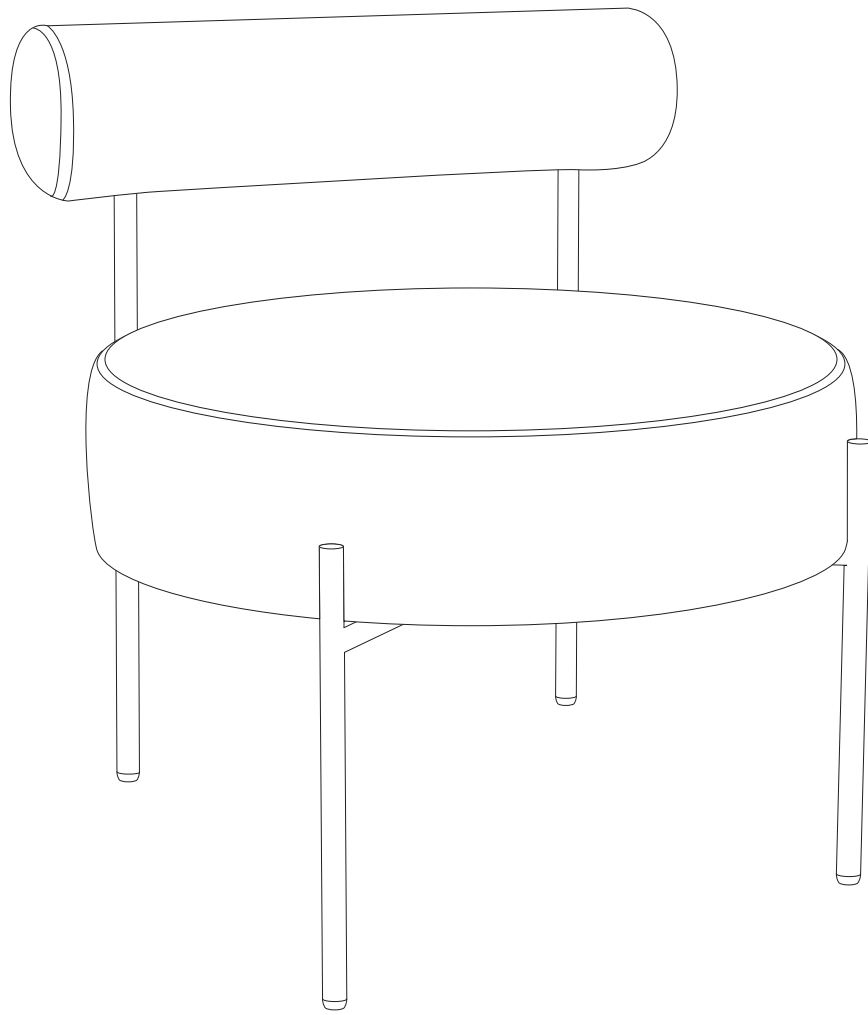
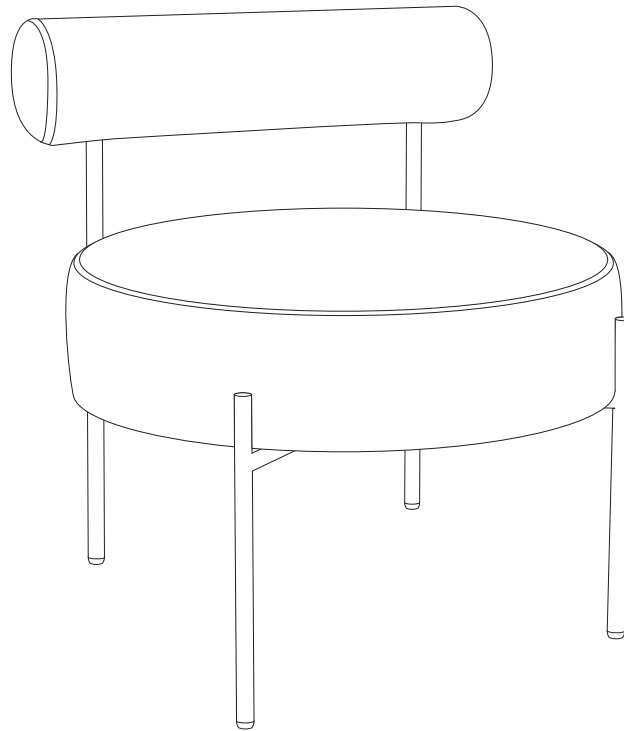
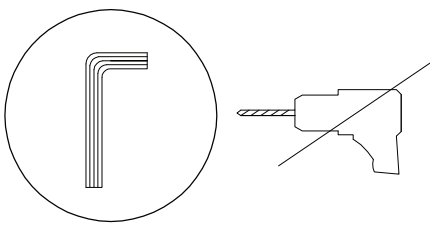

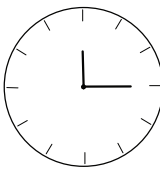
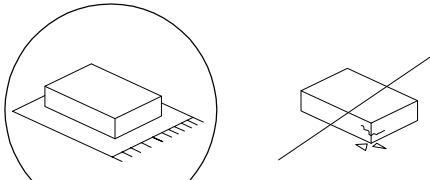


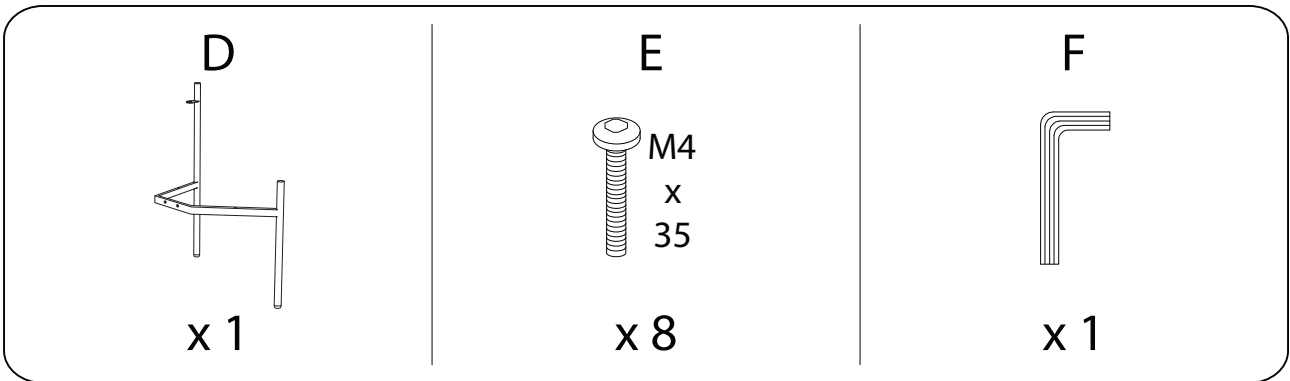
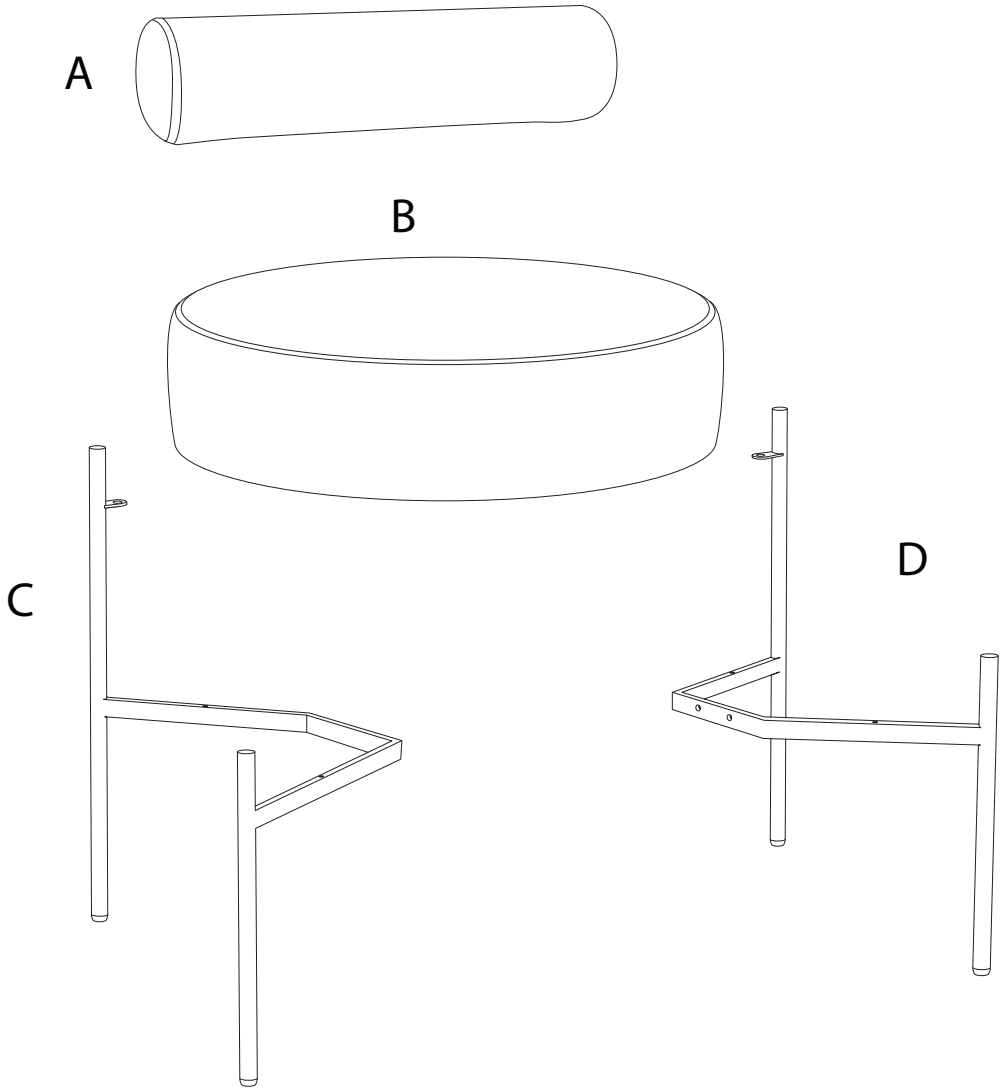
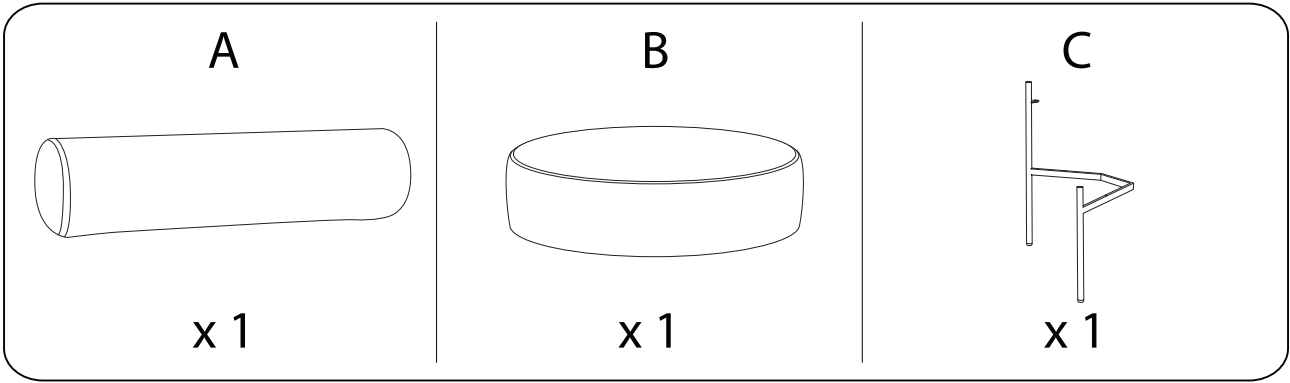


# ALPHA





		
		15'
		
		1



1

C



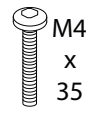
x 1

D



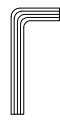
x 1

E

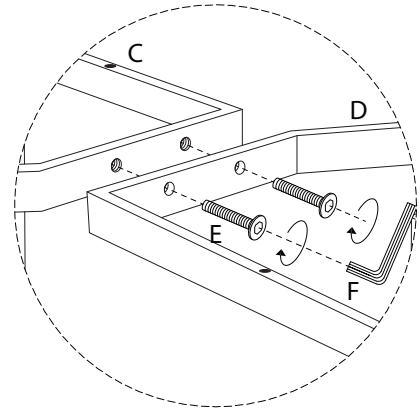
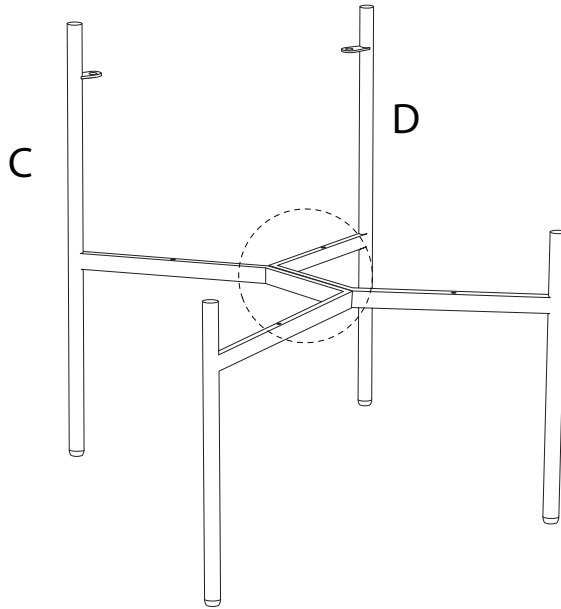


x 2

F



x 1



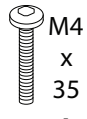
2

B



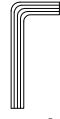
x 1

E

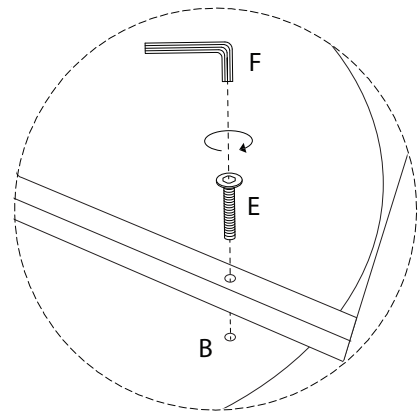
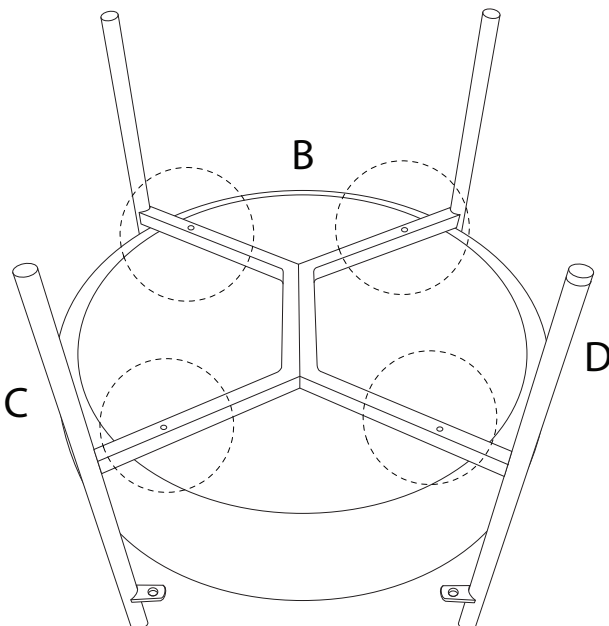


x 4

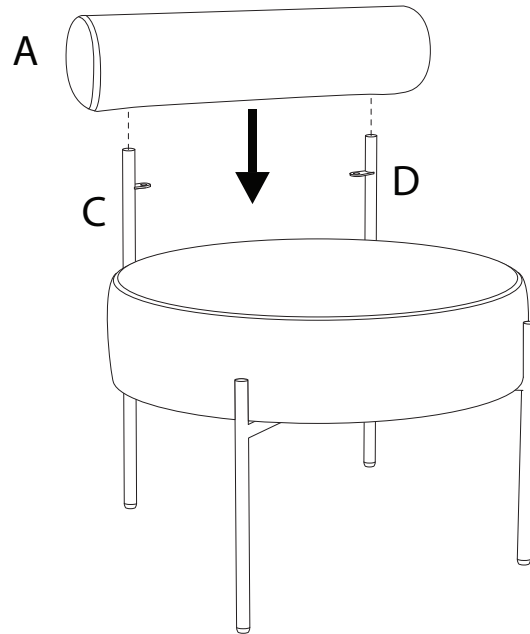
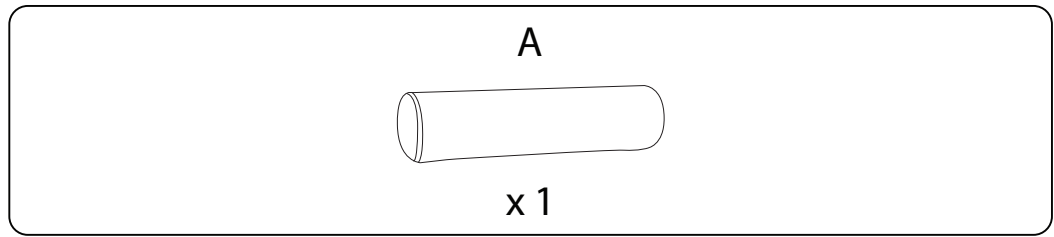
F



x 1



3



4

