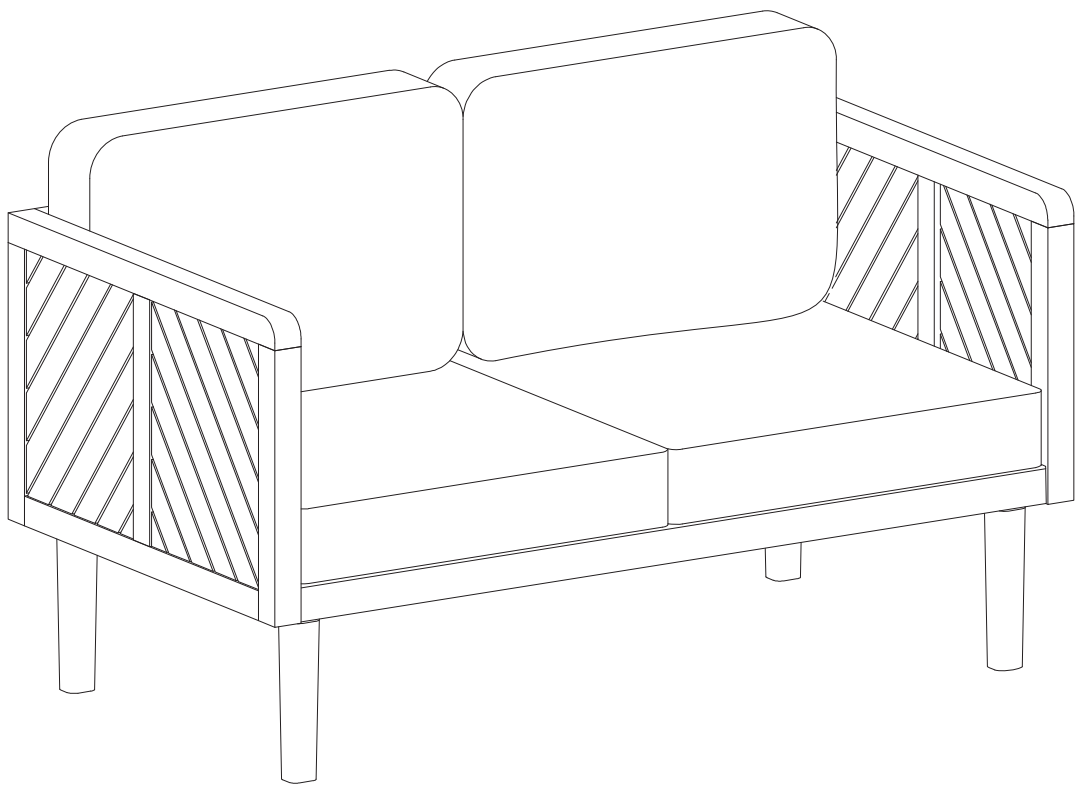
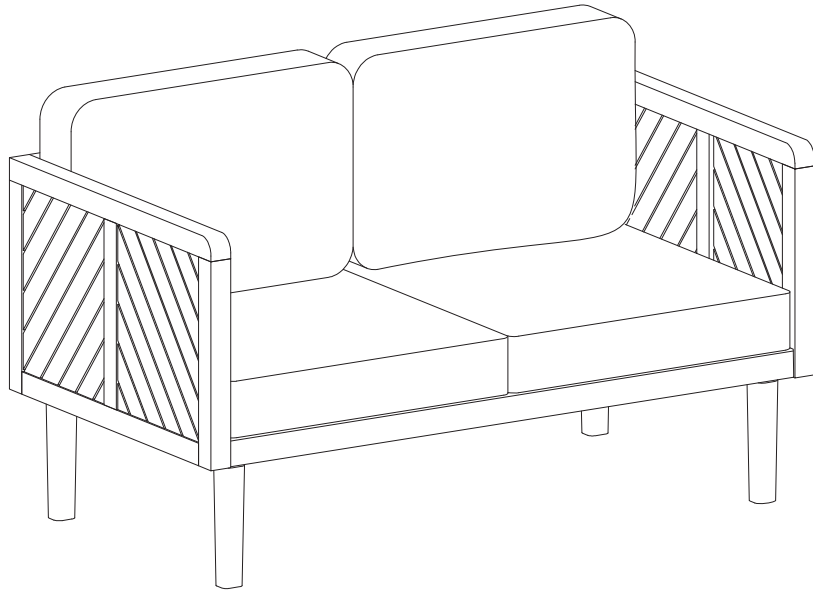


BARATTI





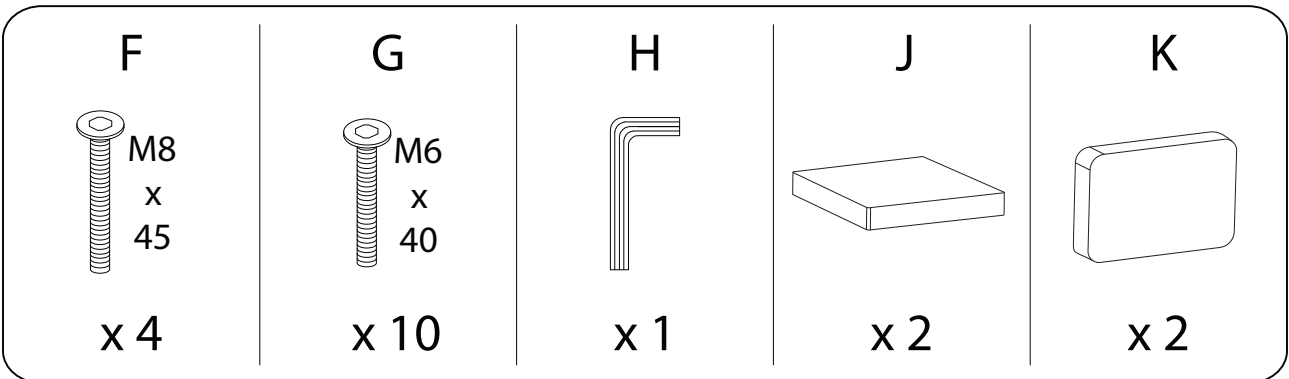
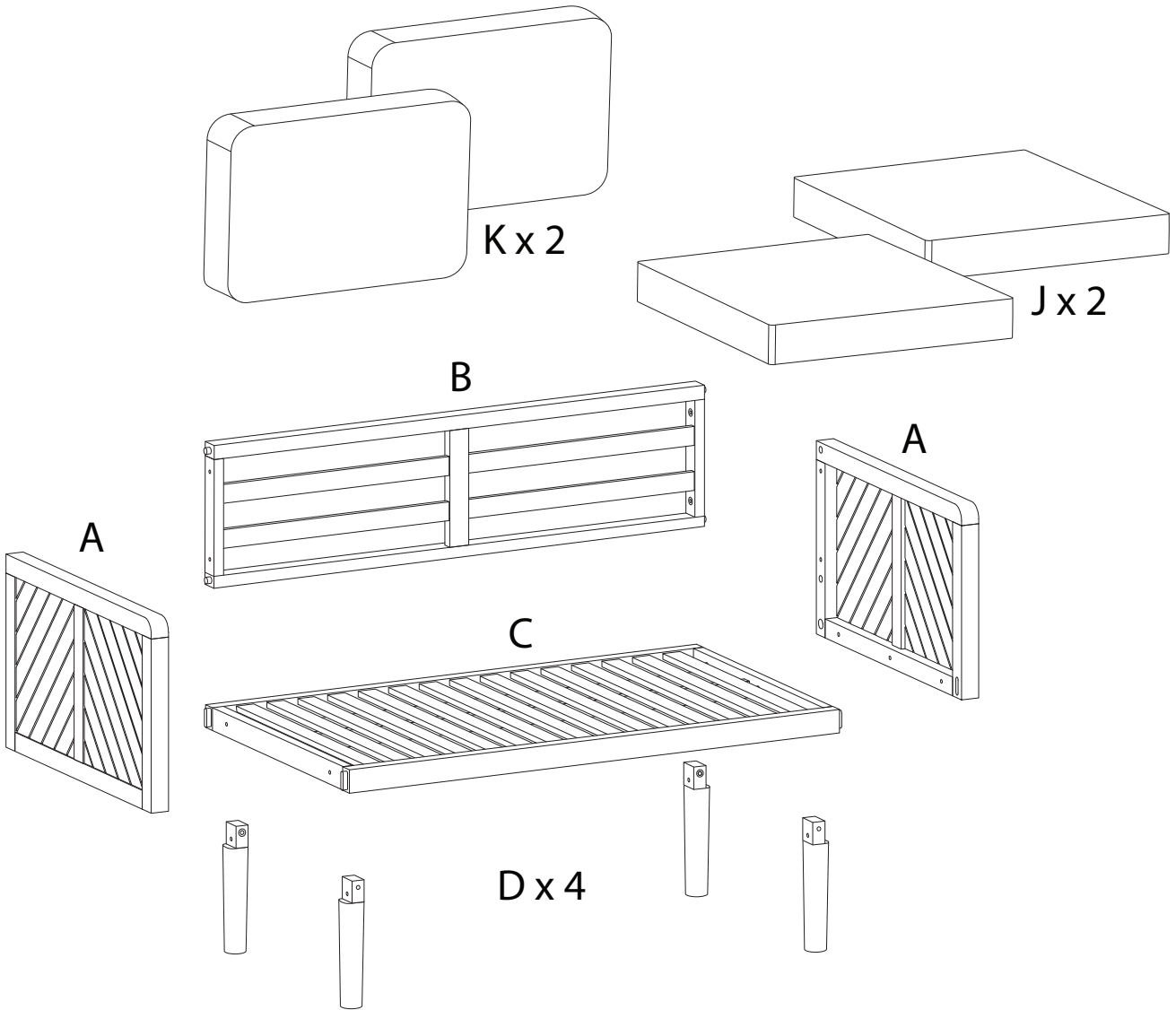
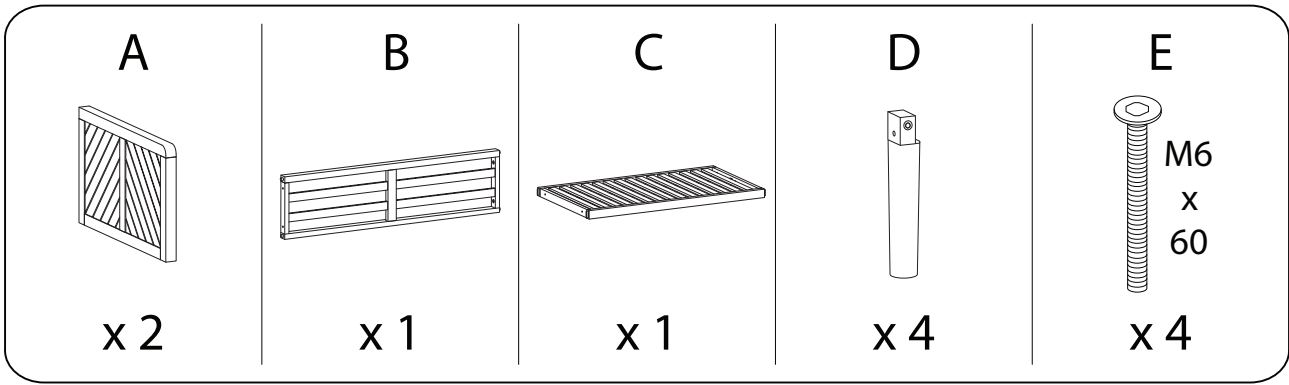
Assembly instructions for the sofa, including warnings, time, and person requirements.

Warning 1: Do not use a power drill. Use an Allen key (shown in a circle) to tighten the backrest.

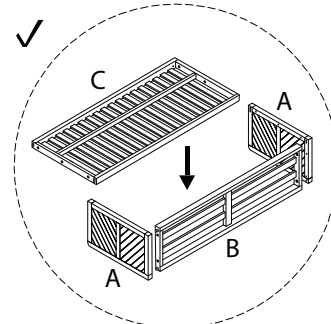
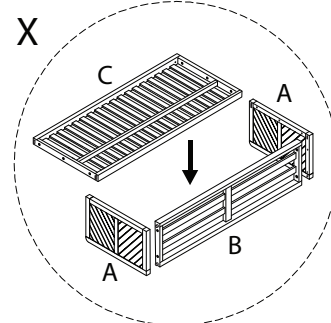
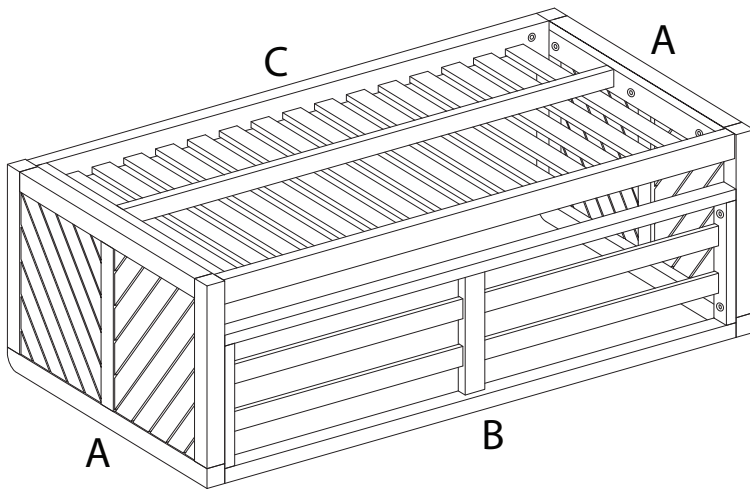
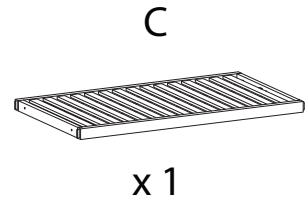
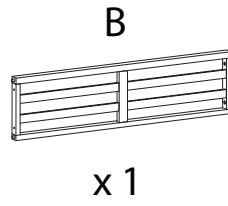
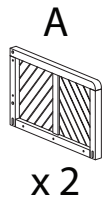
Warning 2: Do not use a screwdriver to adjust the seat. Use a block (shown in a circle) to support the seat during adjustment.

Time: 15'

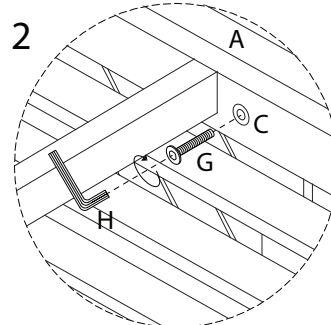
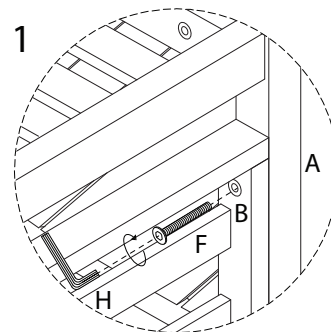
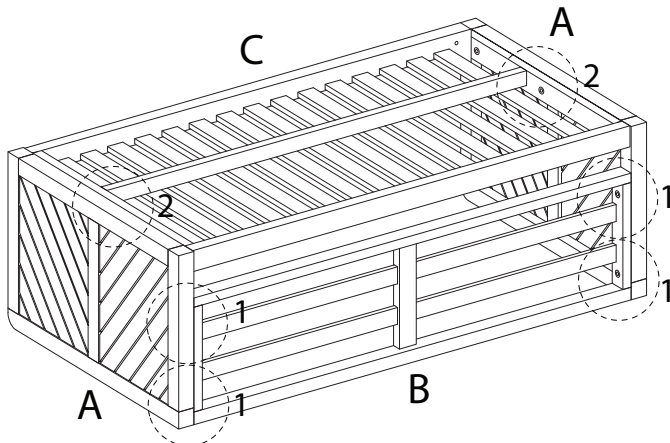
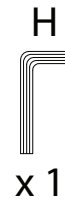
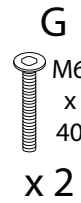
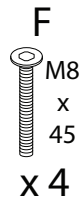
Personnel: 2



1



2



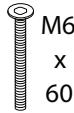
3

D



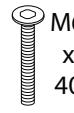
x 4

E



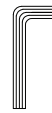
x 4

G

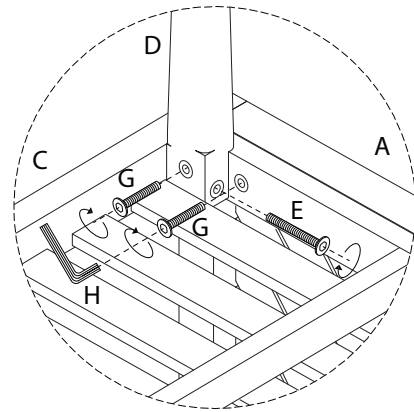
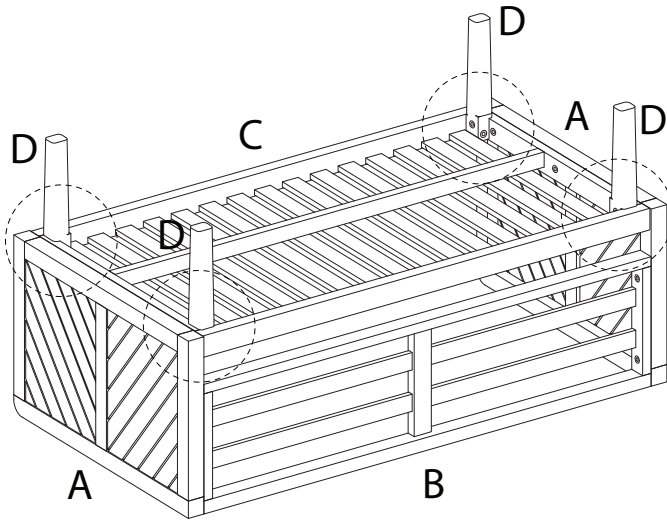


x 8

H

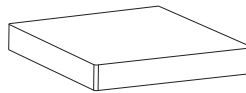


x 1

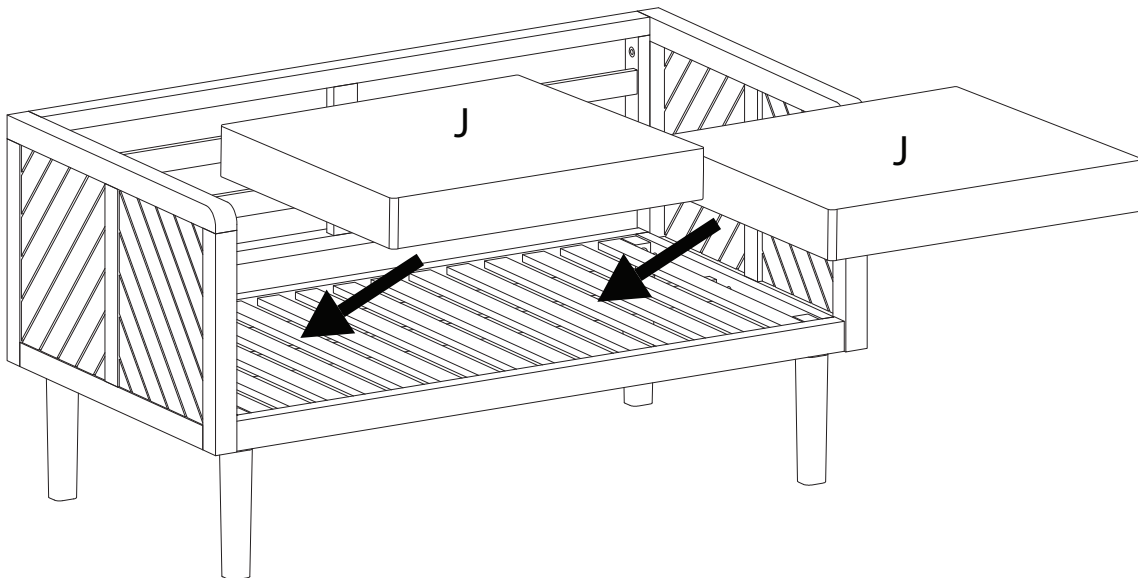


4

J

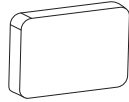


x 2



5

K



x 2

