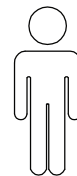
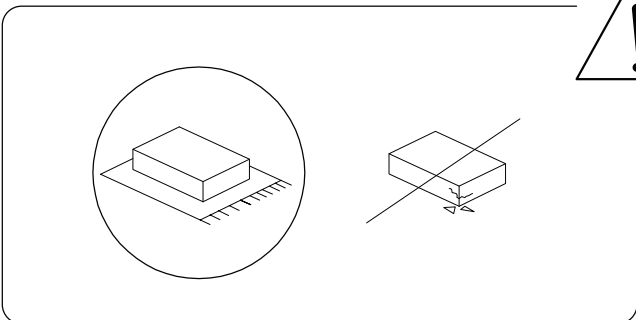
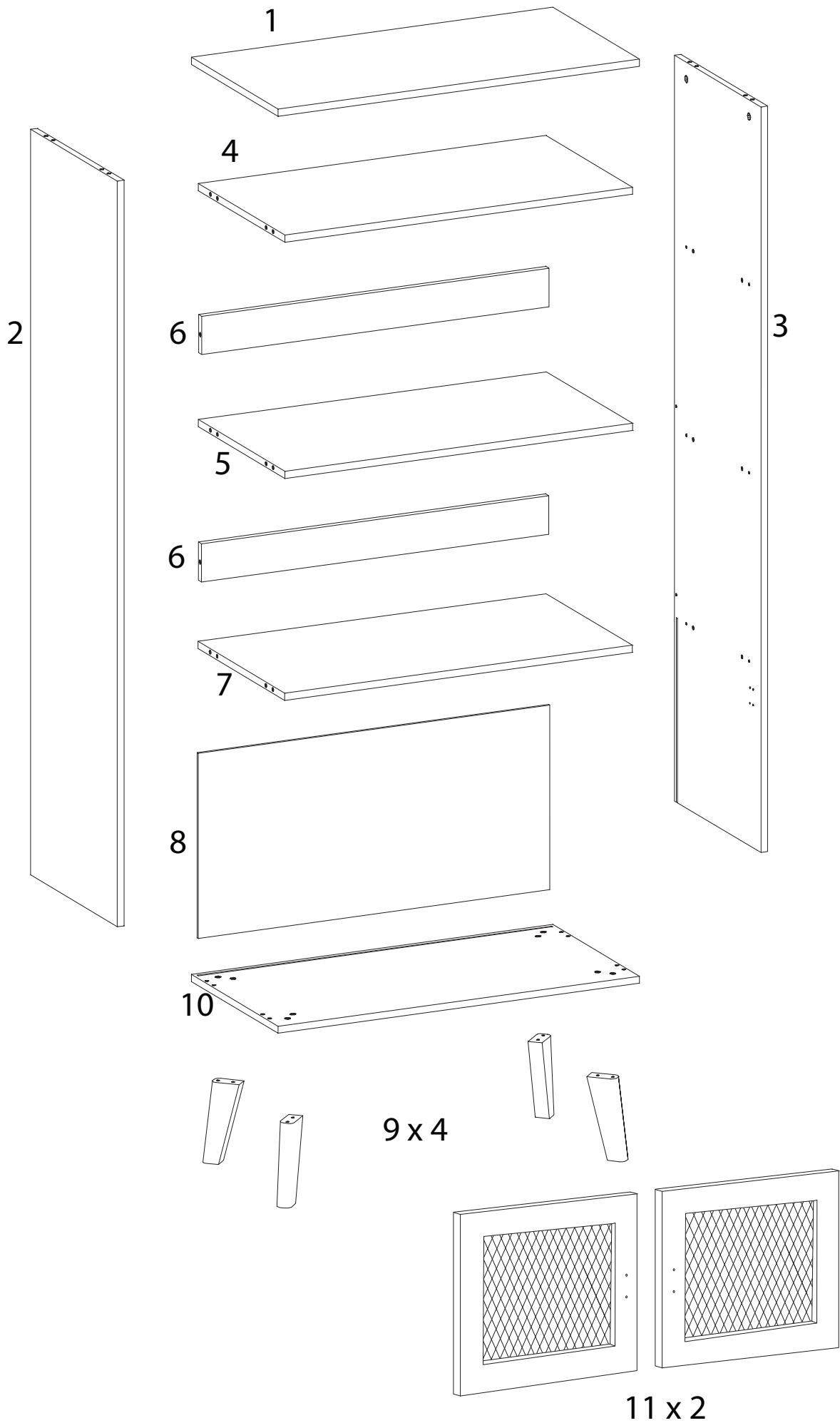


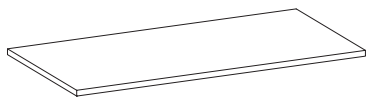
30'



2



1



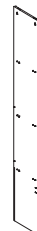
x 1

2



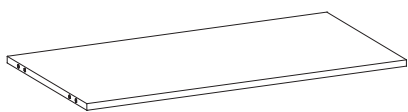
x 1

3



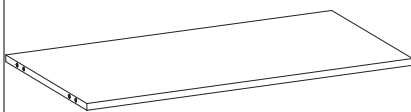
x 1

4



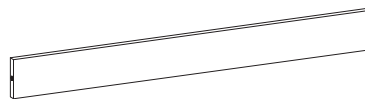
x 1

5



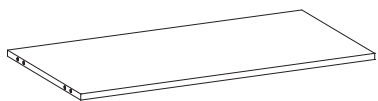
x 1

6



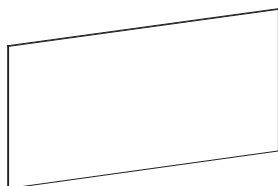
x 2

7



x 1

8



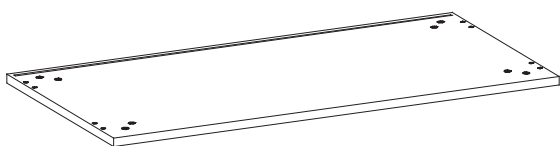
x 1

9



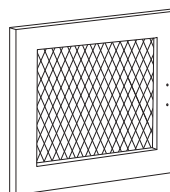
x 4

10



x 1

11



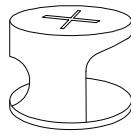
x 2

A



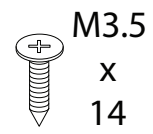
x 20

B



x 20

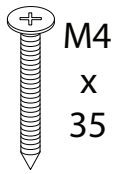
C



M3.5  
x  
14

x 35

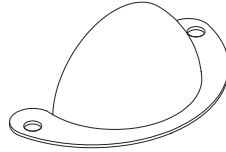
D



M4  
x  
35

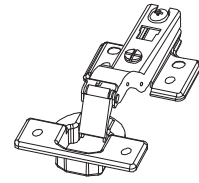
x 1

E



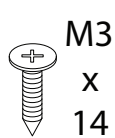
x 2

F



x 4

G



M3  
x  
14

x 4

H



M6  
x  
25

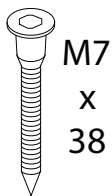
x 8

I



x 1

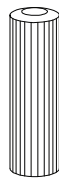
J



M7  
x  
38

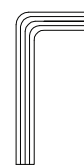
x 8

K



x 20

L



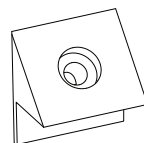
x 1

M



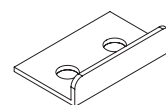
x 1

N



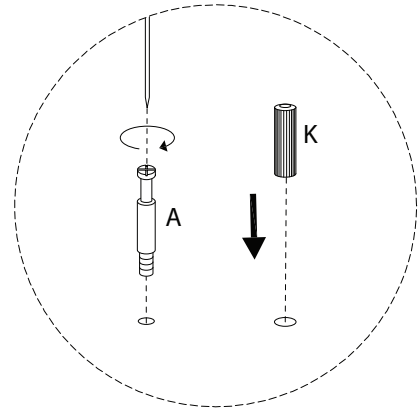
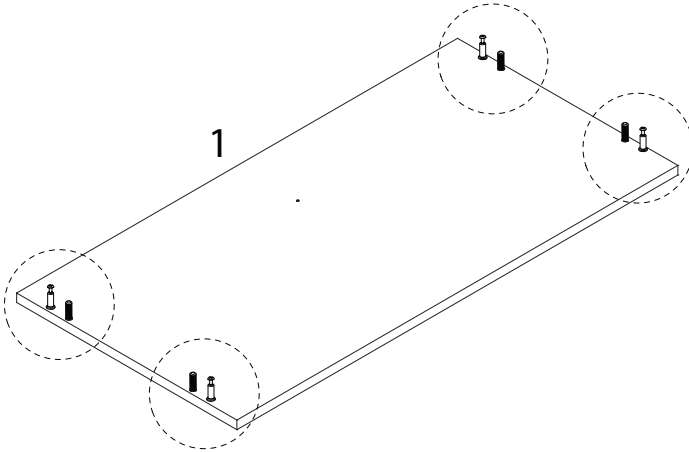
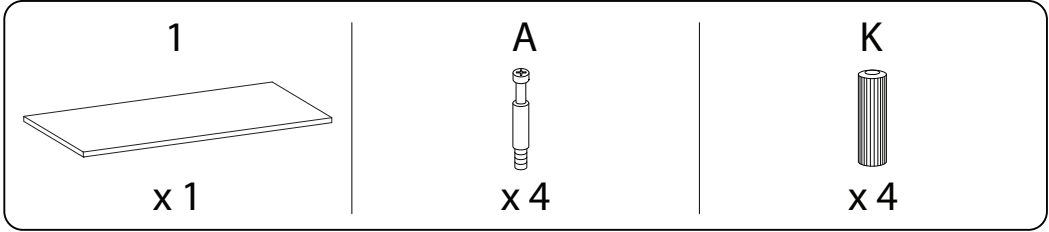
x 8

O

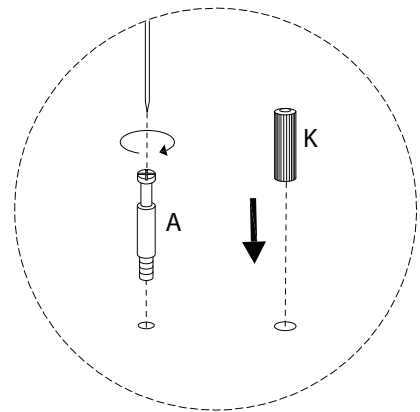
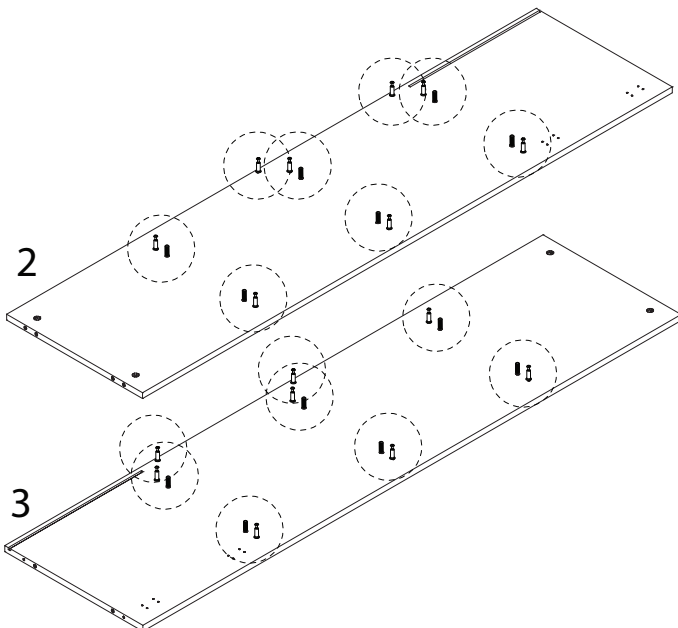
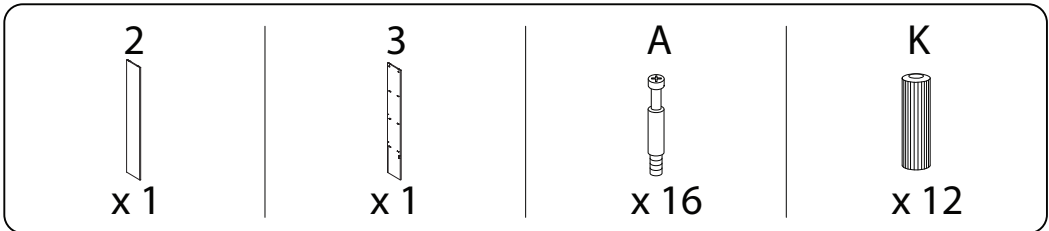


x 1

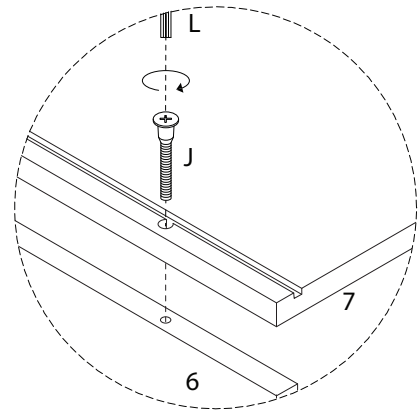
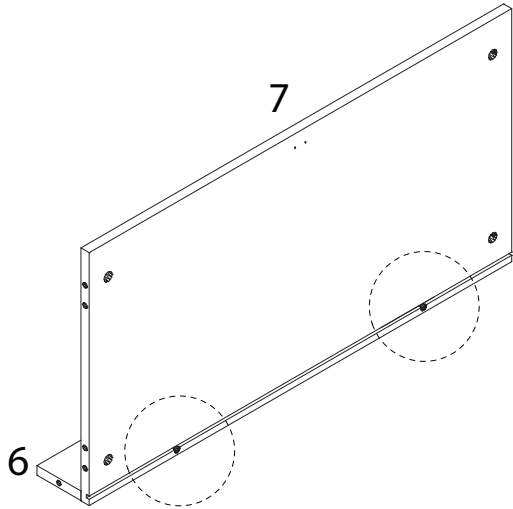
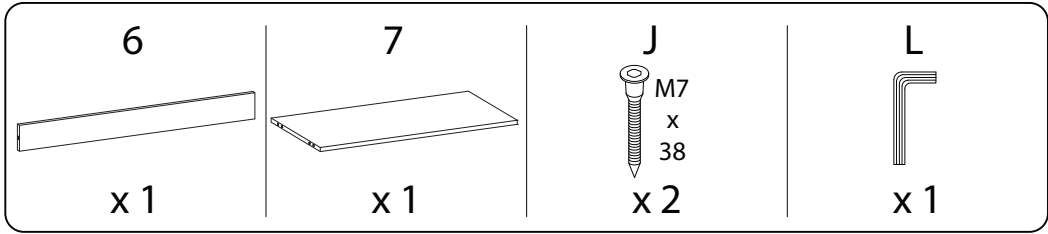
1



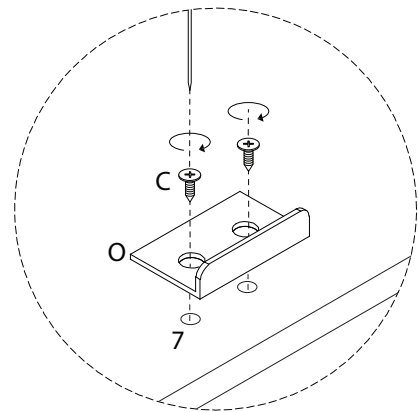
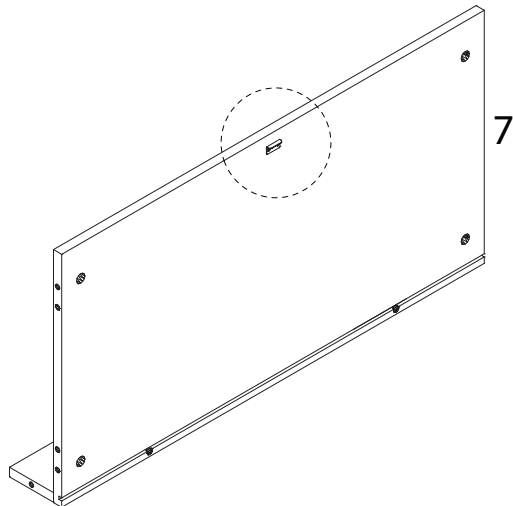
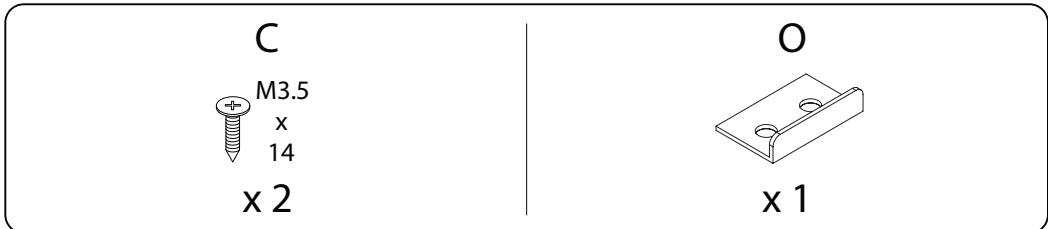
2



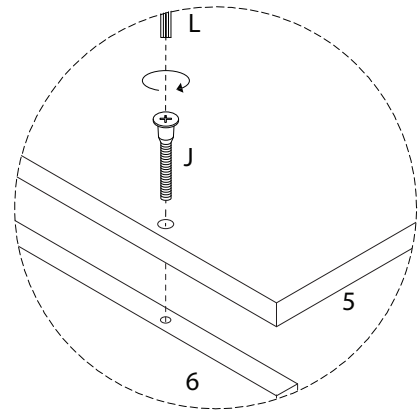
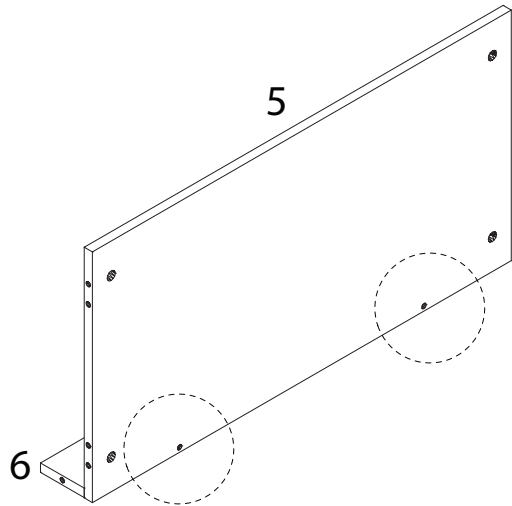
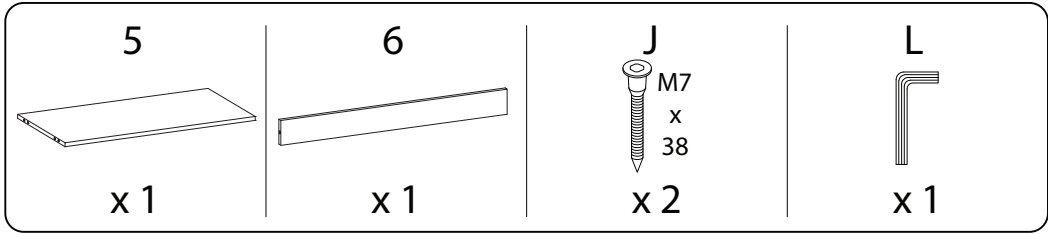
3



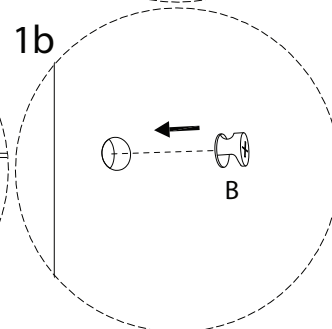
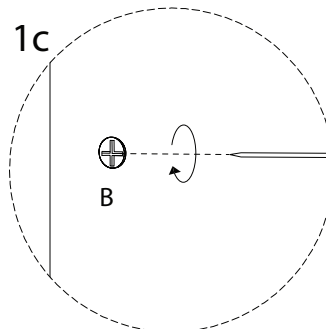
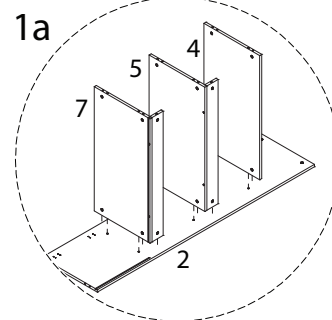
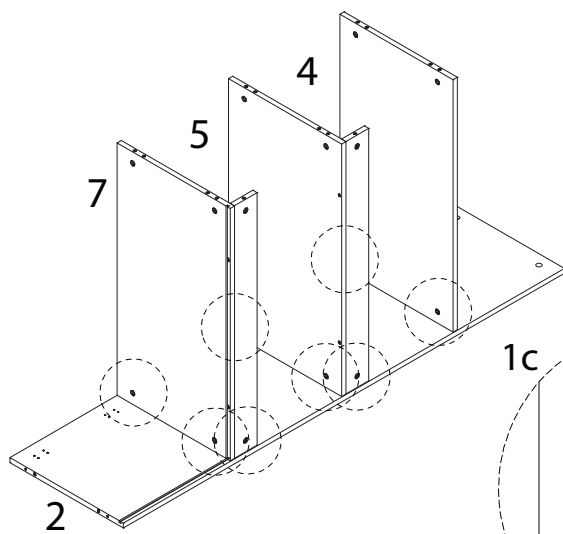
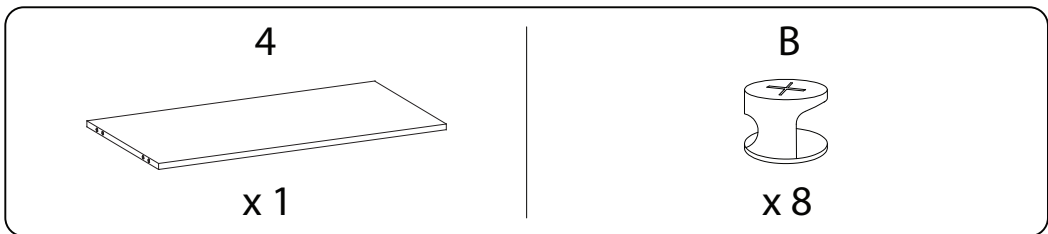
4



5



6

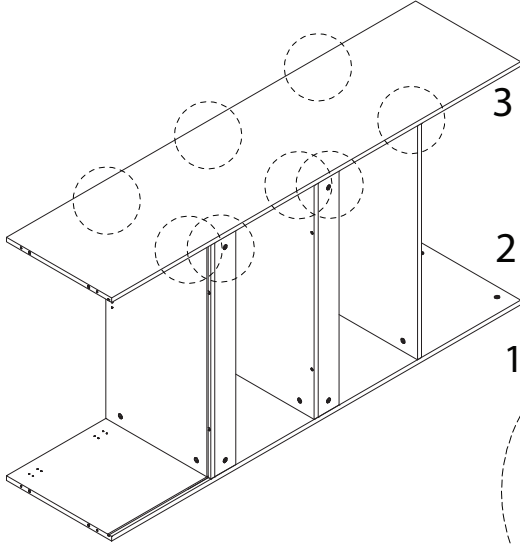


7

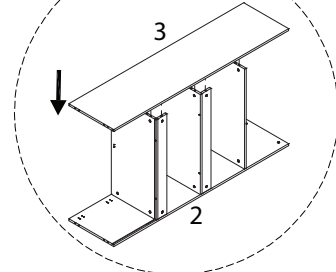
B



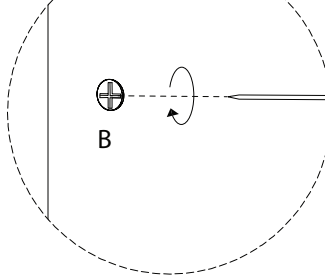
x 8



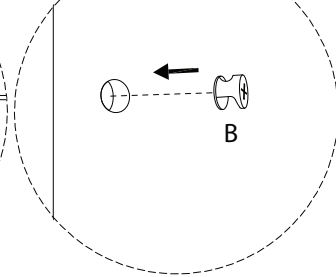
1a



1c



1b

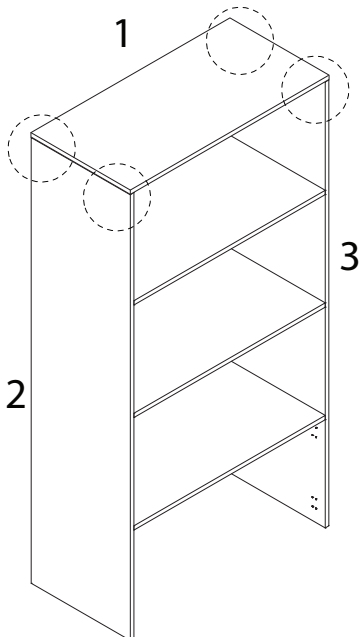


8

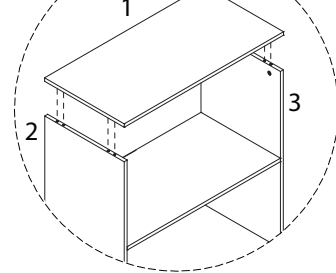
B



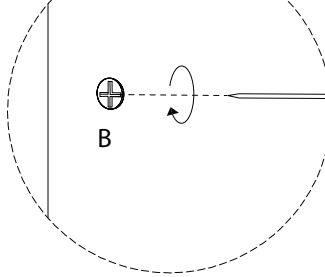
x 4



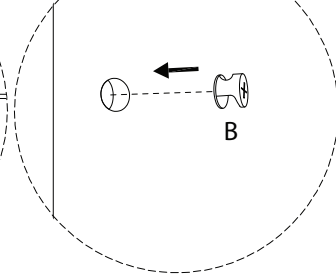
1a



1c

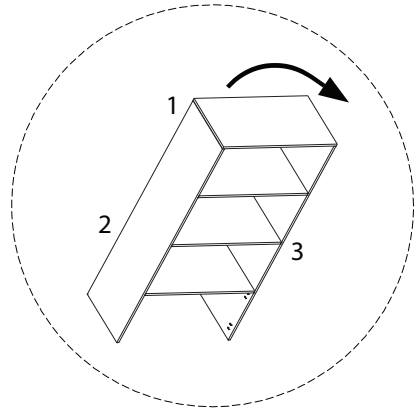
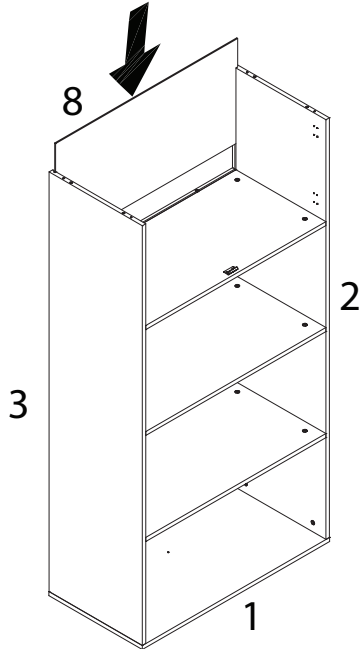
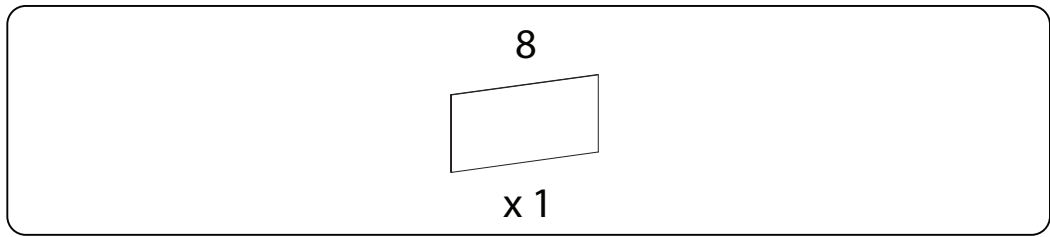


1b

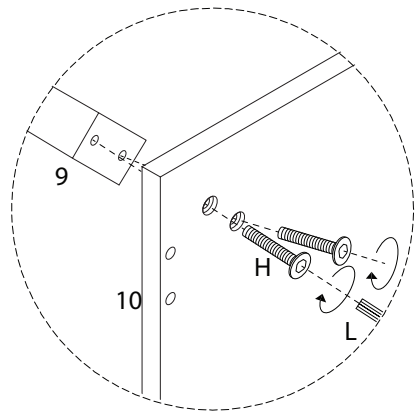
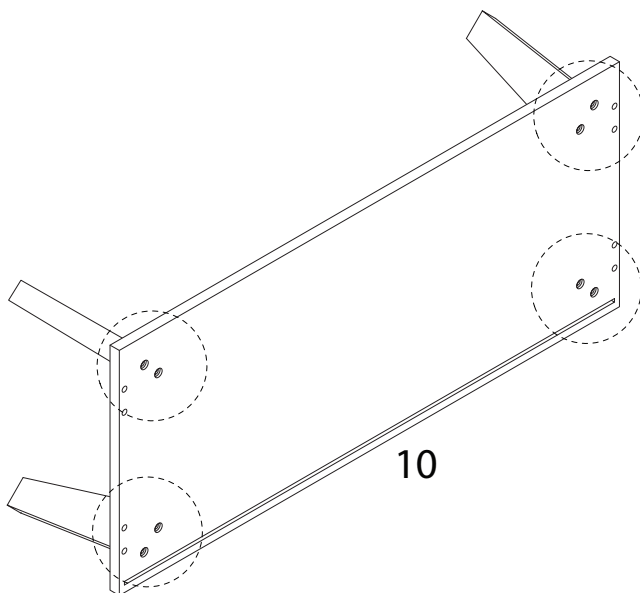
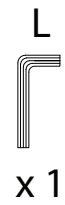
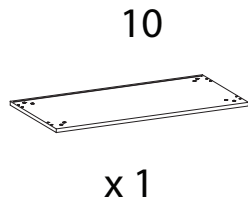
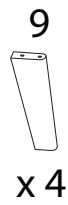




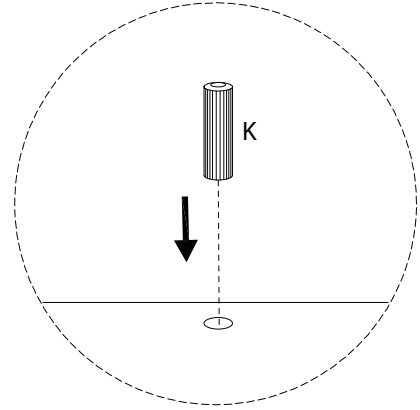
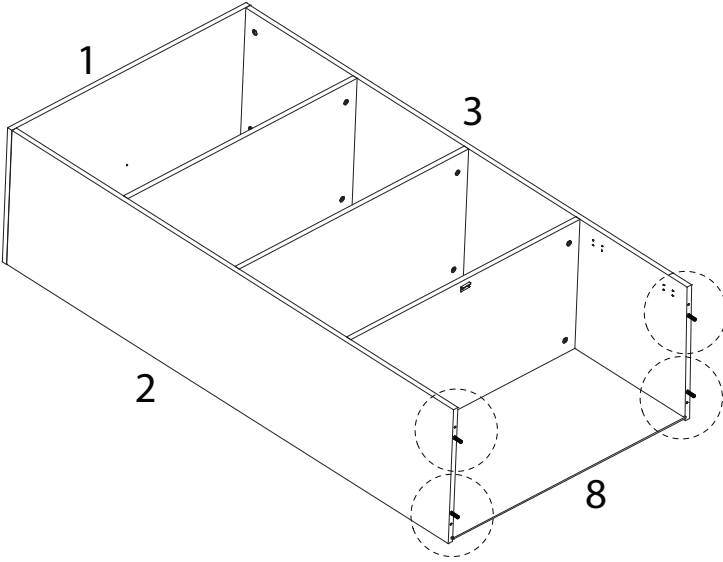
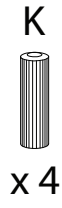
9



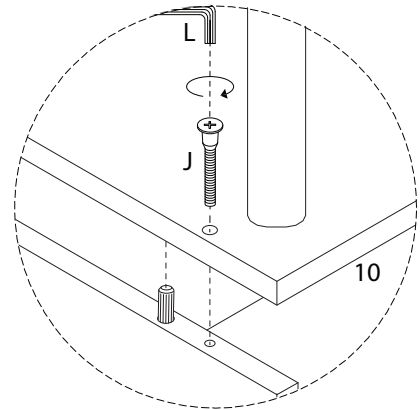
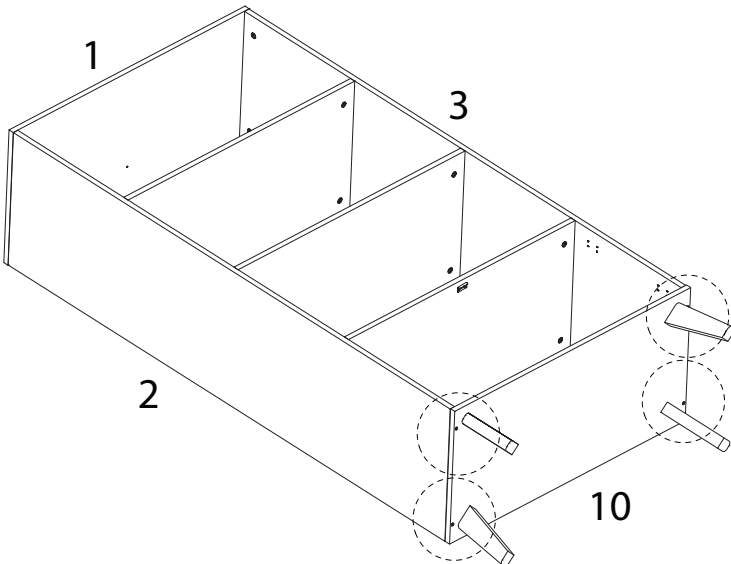
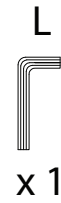
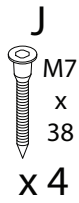
10



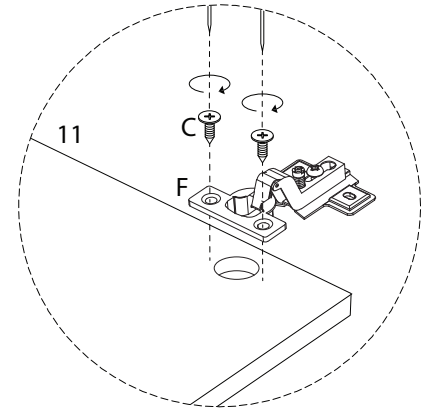
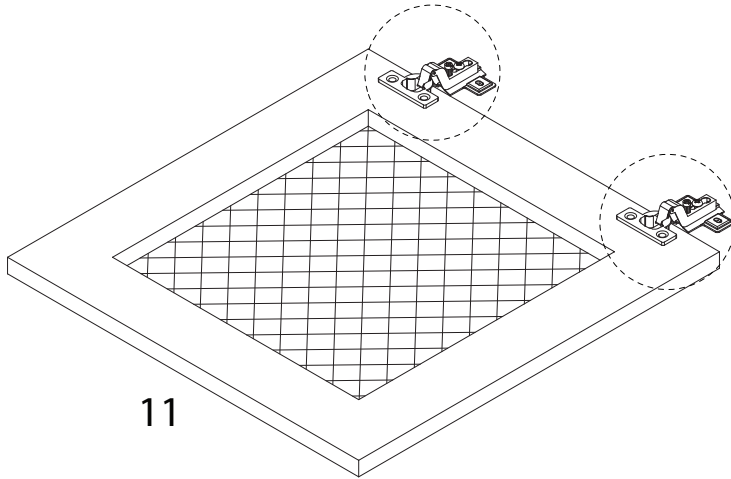
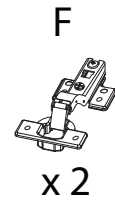
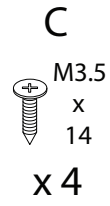
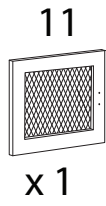
11



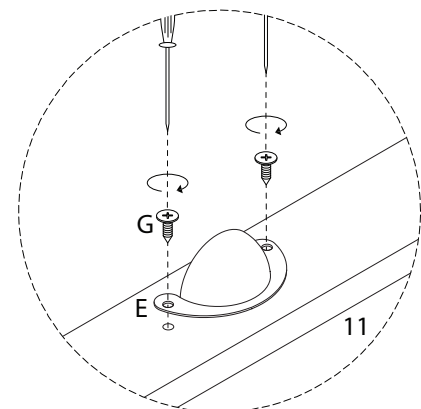
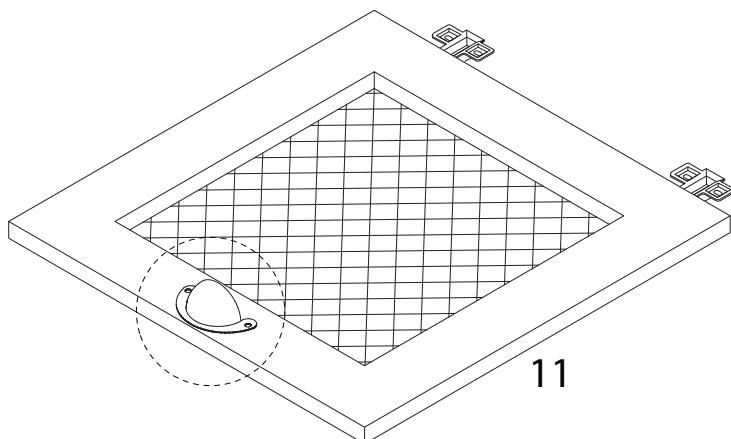
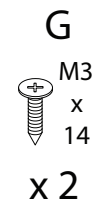
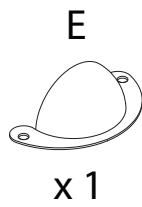
12



13 x 2



14 x 2

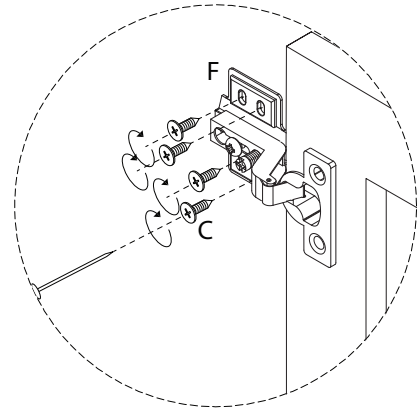
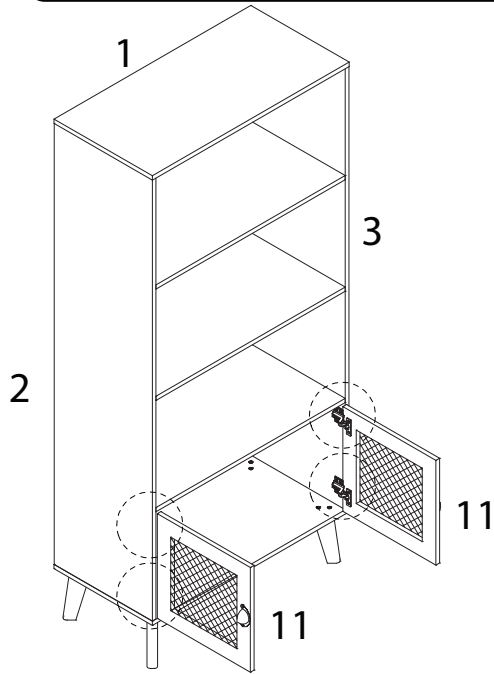


15

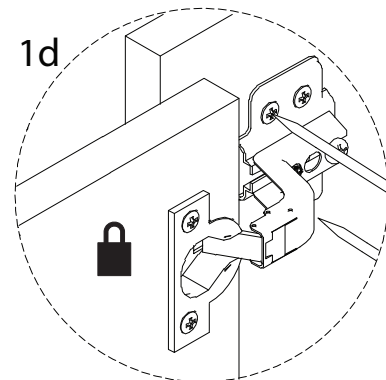
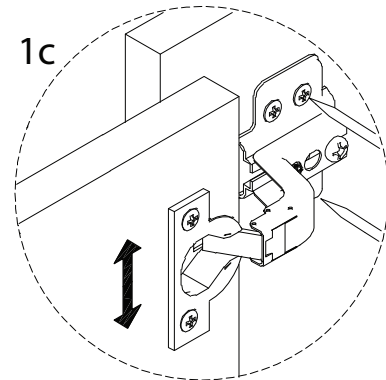
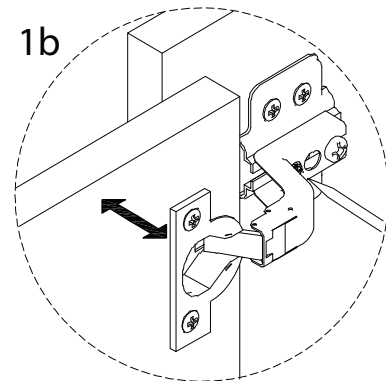
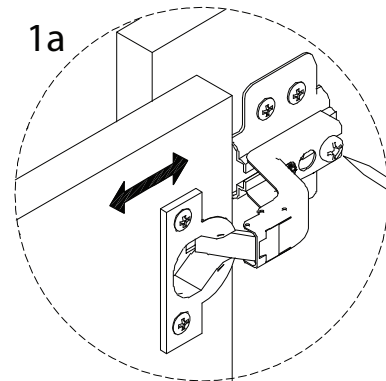
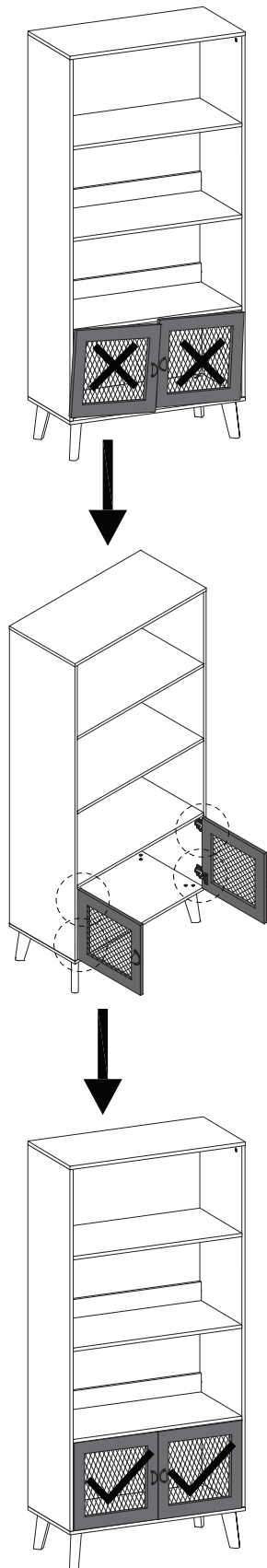
C

M3.5  
x  
14

x 16

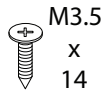


16



17

C

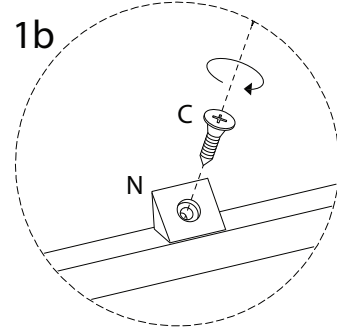
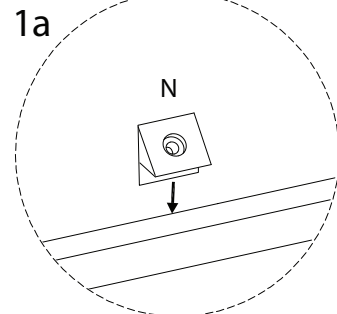
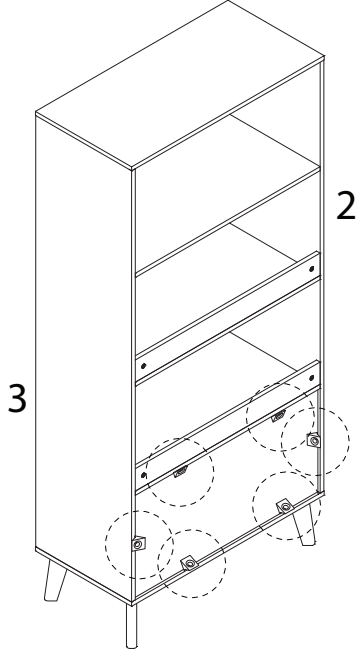


x 6

N

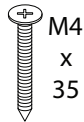


x 6



18

D



x 1

I

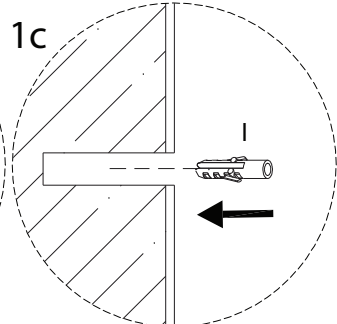
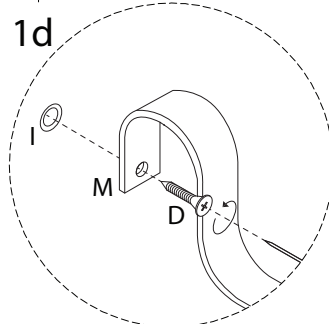
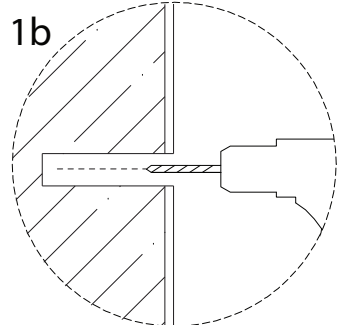
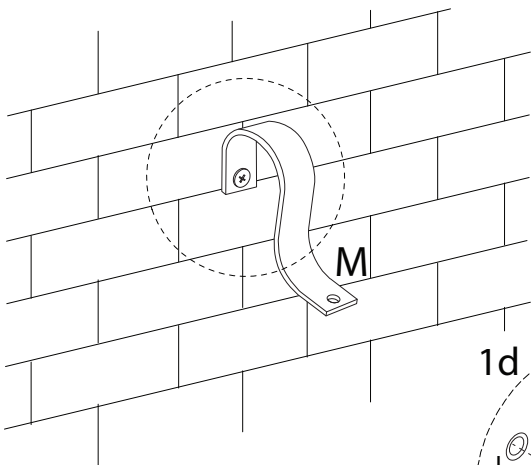


x 1

M

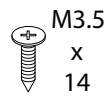


x 1



19

C



x 1

