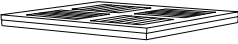



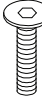
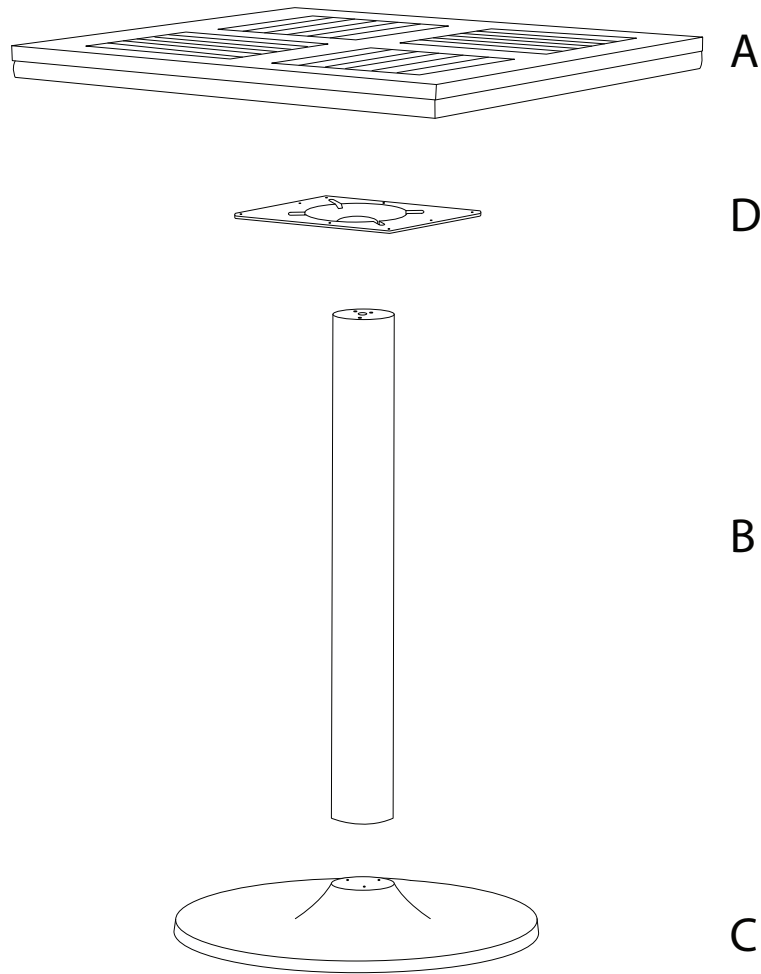




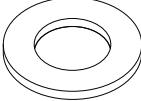

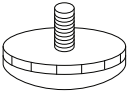


Diagram illustrating assembly instructions and safety warnings:

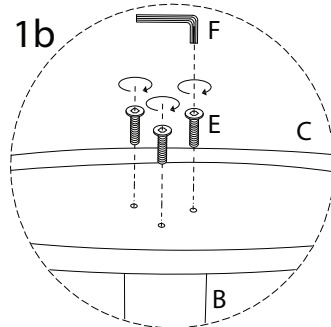
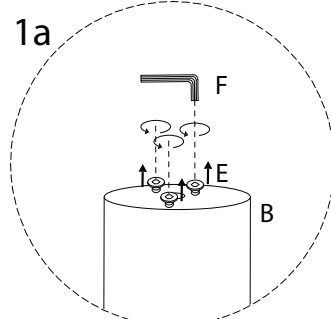
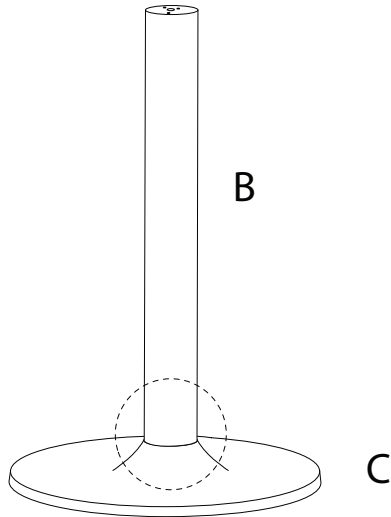
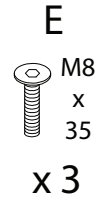
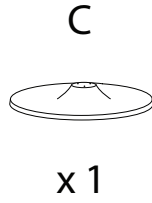
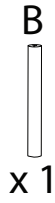
- Warning 1:** A warning triangle with an exclamation mark is positioned above a box containing an L-shaped metal bracket and a power drill with a slash through it, indicating that a power drill should not be used on this part.
- Warning 2:** A second warning triangle with an exclamation mark is positioned above a box containing a rectangular block being placed on a textured surface and another block being placed on a smooth surface with a slash through it, indicating that the block should be placed on a textured surface.
- Time:** A clock icon is shown next to the text "30'", indicating a 30-minute assembly time.
- Person:** An icon of a person is shown next to the number "1", indicating that one person is required for assembly.

A	B	C	D	E
				 M8 x 35
x 1	x 1	x 1	x 1	x 6

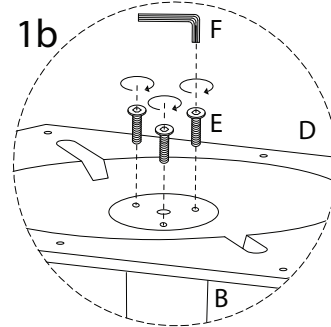
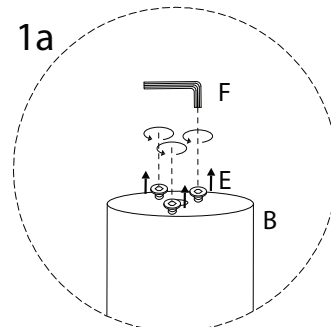
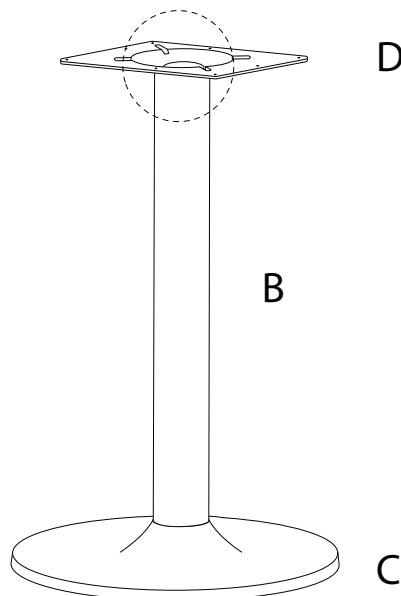
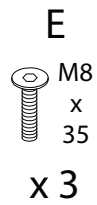
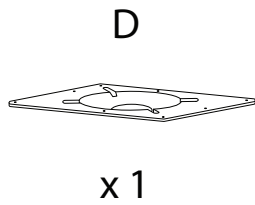


F	G	H	I	J
 M8	 M6 x 12		 M6	
x 1	x 4	x 4	x 1	x 4

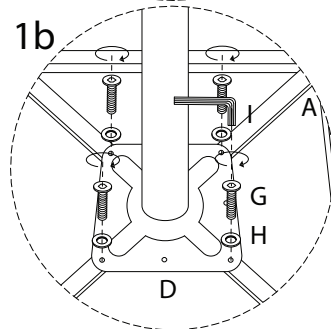
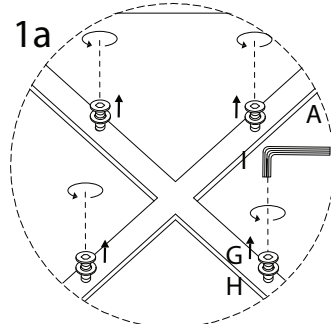
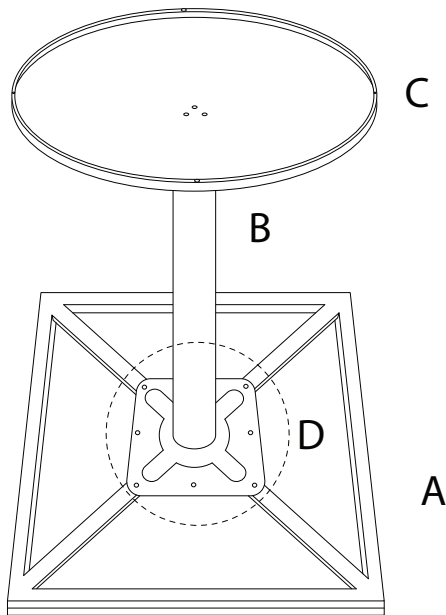
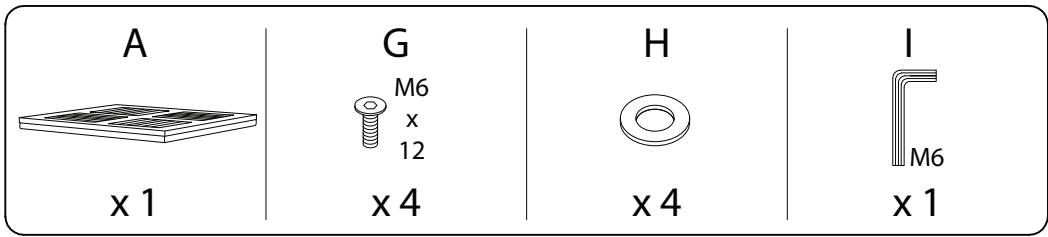
1



2



3



4

