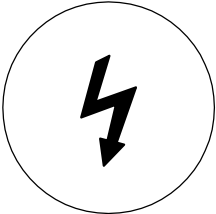


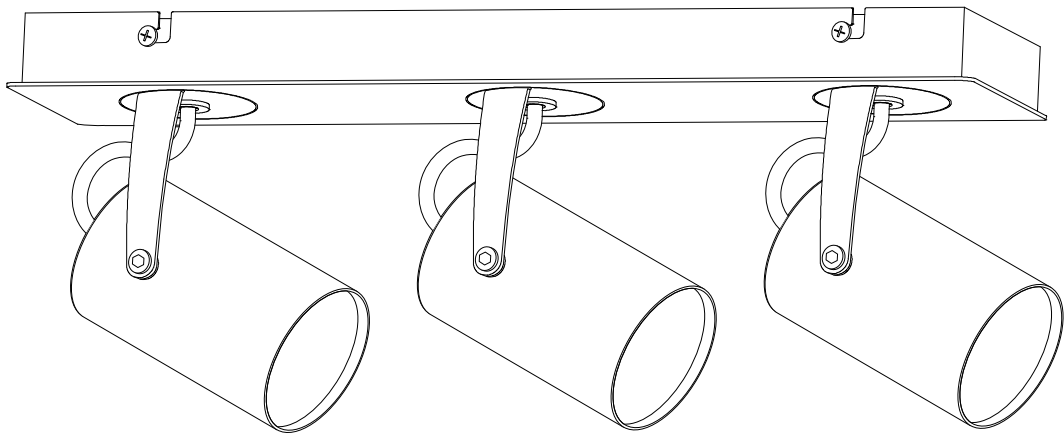
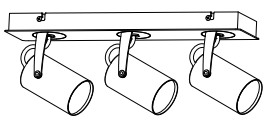

		15'
		
		1

A

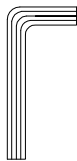


A



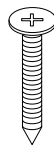
x 1

B



x 1

C

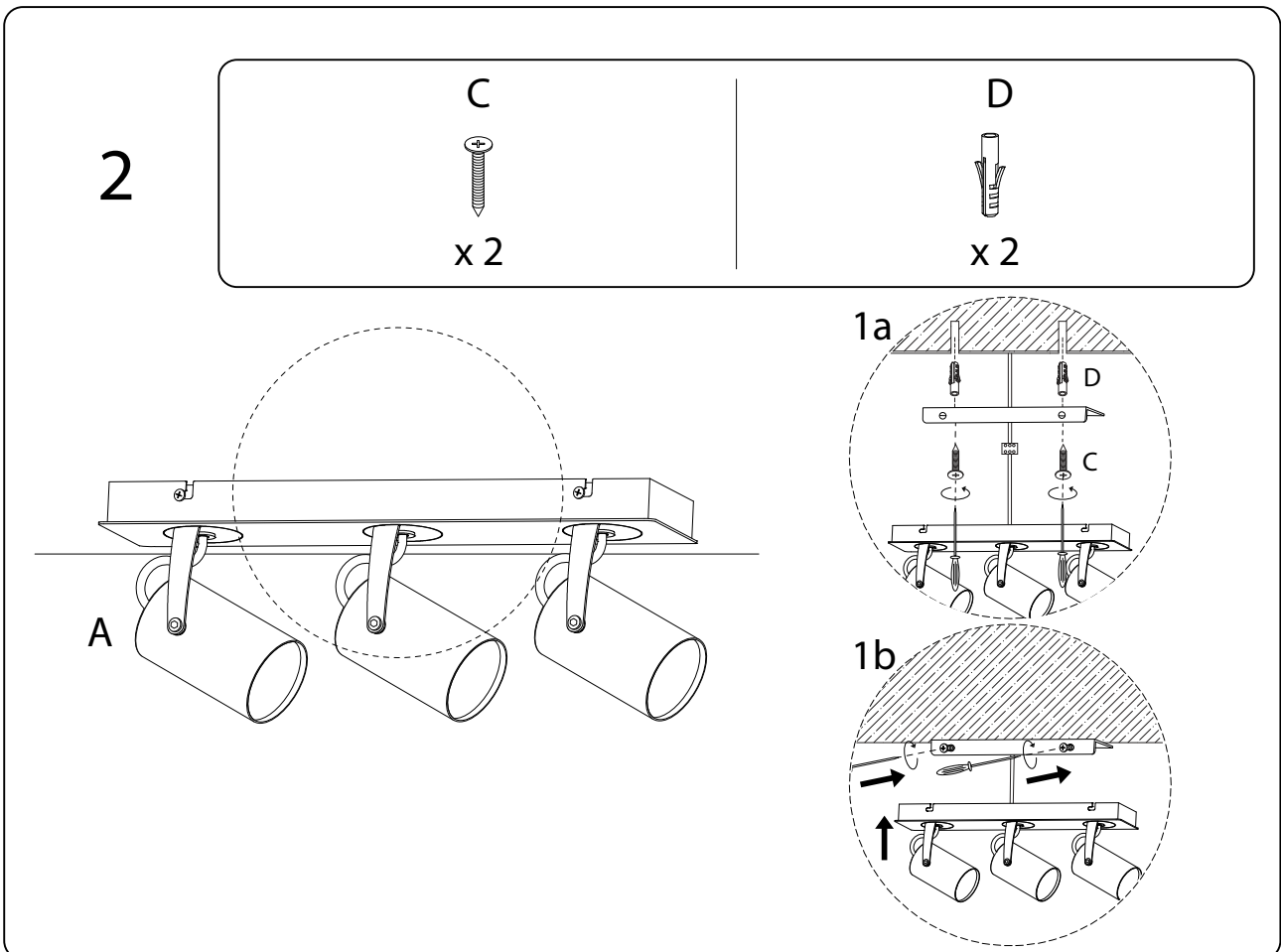
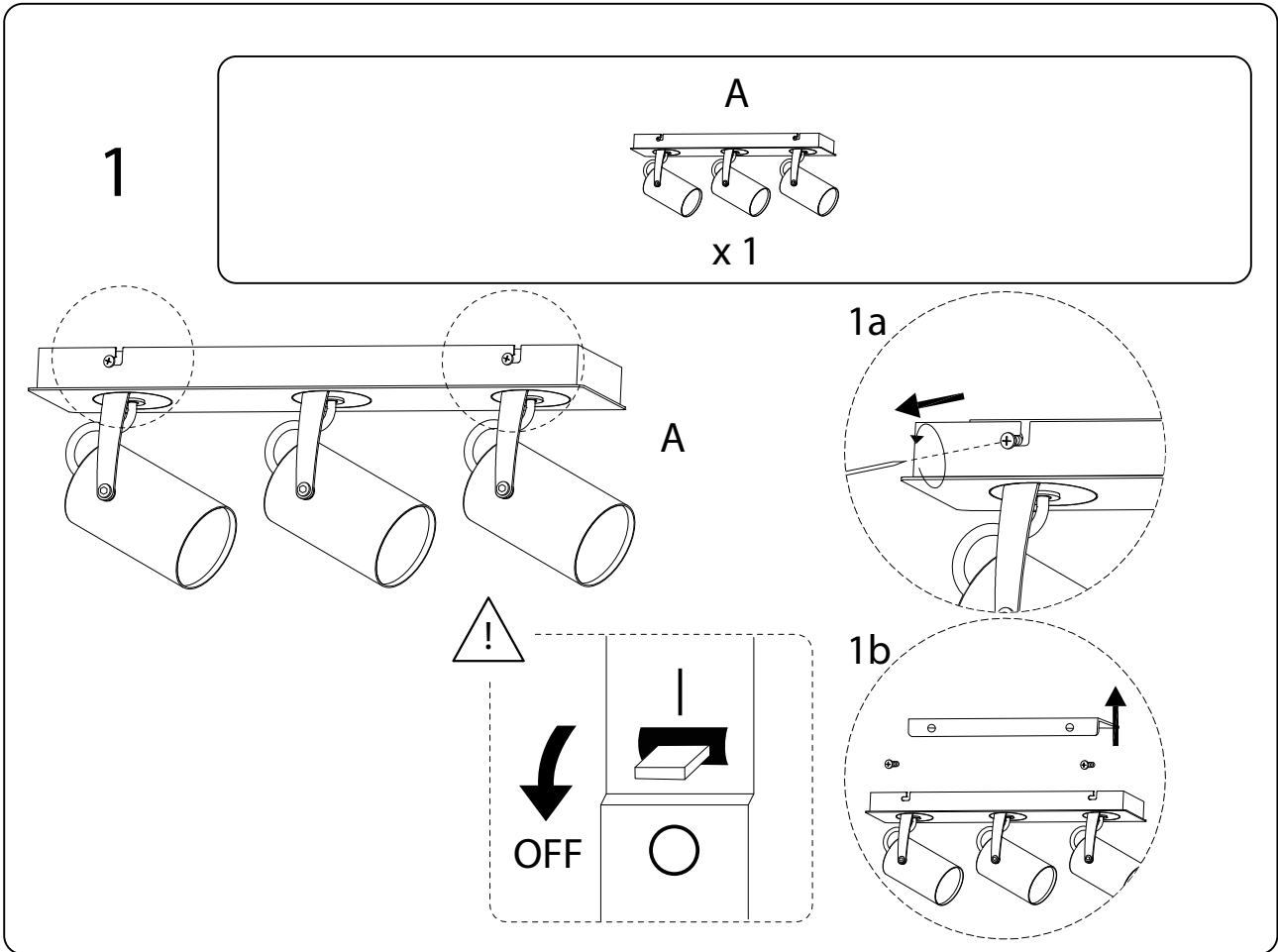


x 2

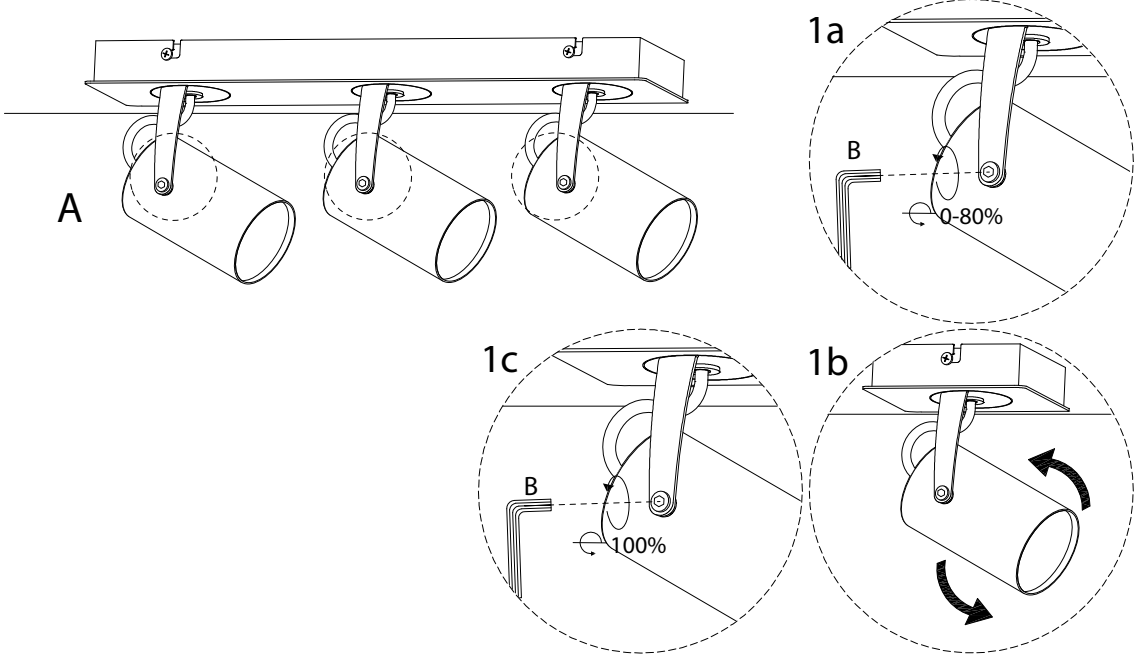
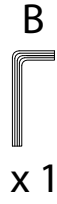
D



x 2



3



4

