

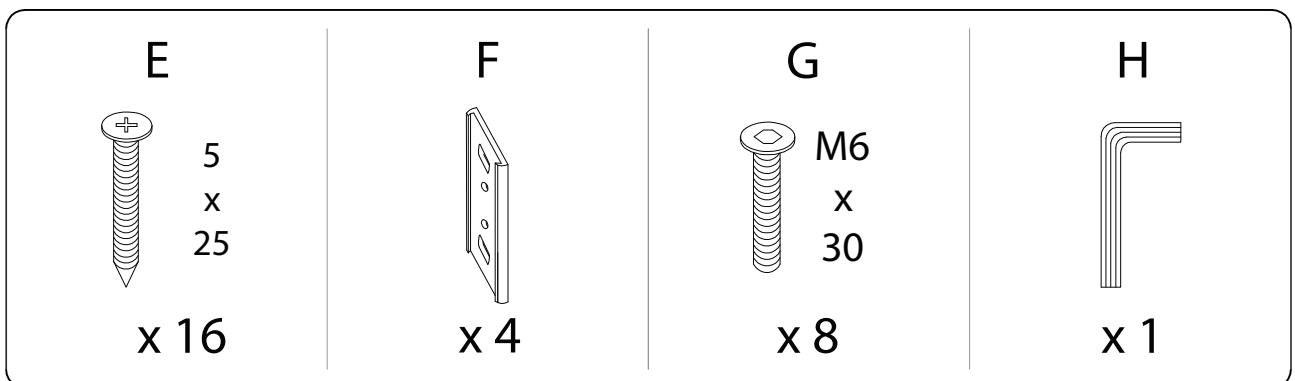
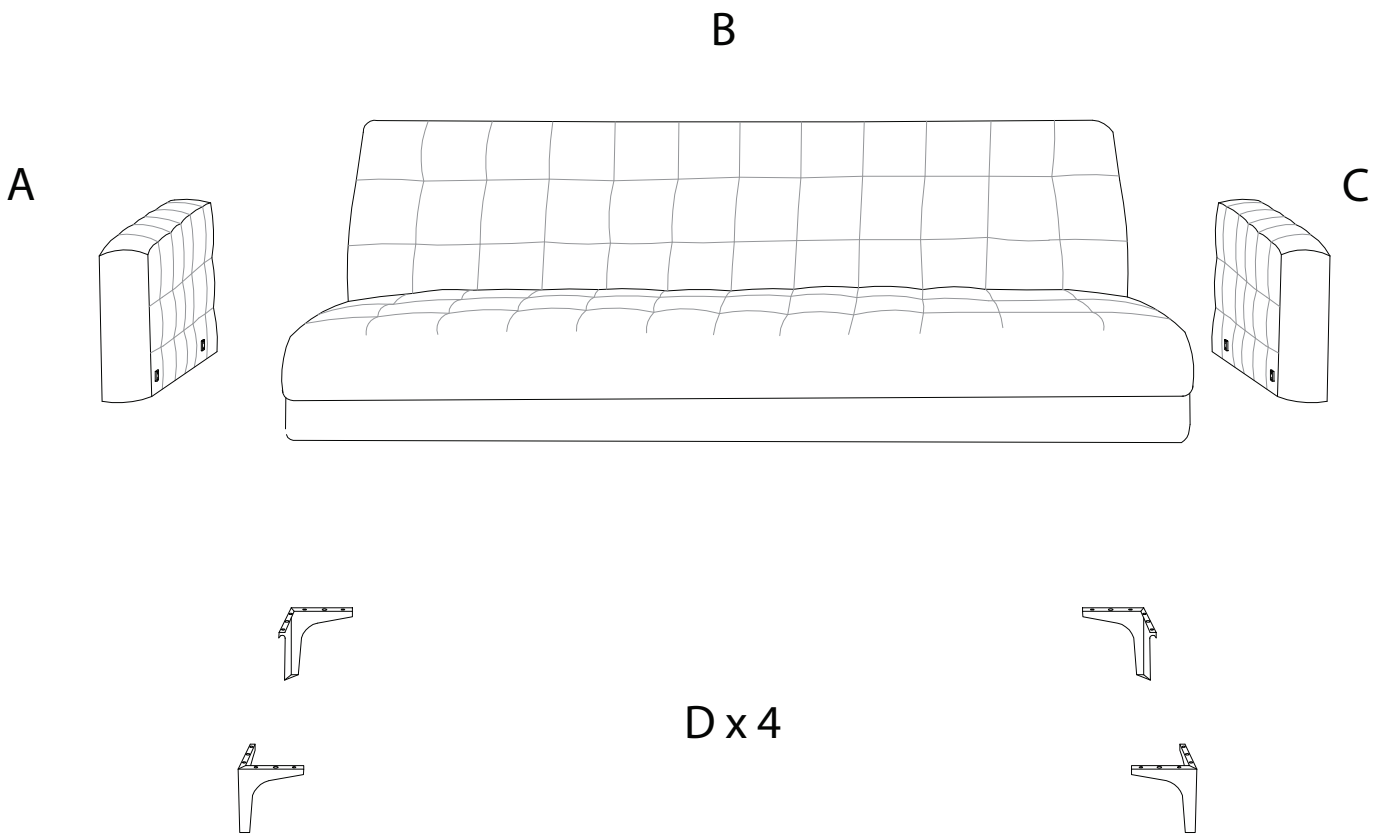
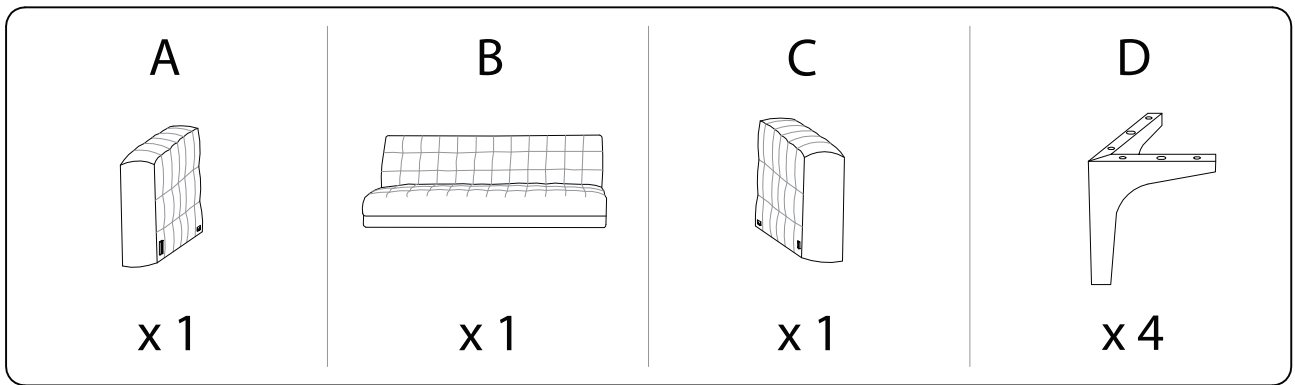
Assembly instructions for the sofa, including tool requirements, time, and person count.

**Tools:** An icon box shows a circle containing an Allen key and a screwdriver, and a crossed-out power drill icon. A warning triangle is positioned to the right of this box.

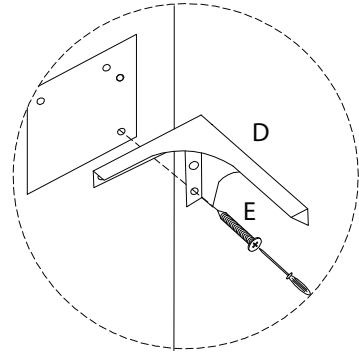
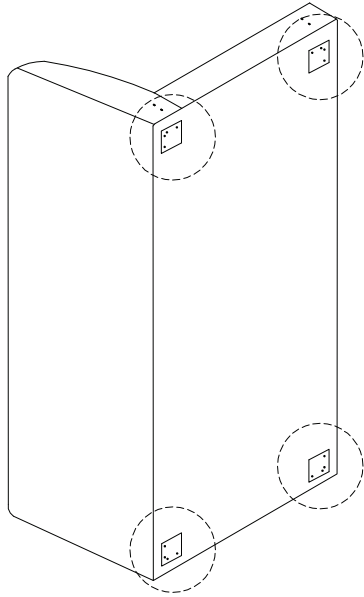
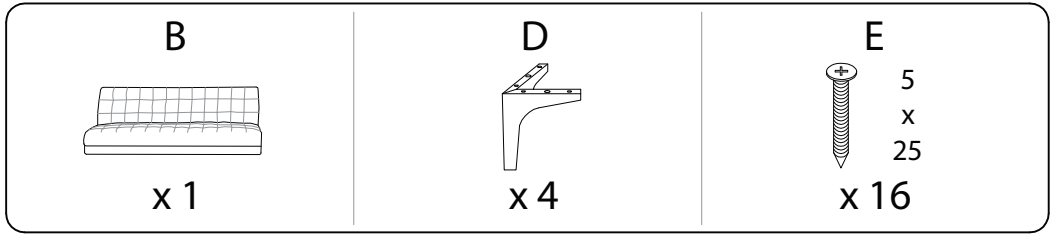
**Time:** A clock icon is shown with the number **30'** below it, indicating the estimated assembly time.

**Personnel:** An icon of a person is shown with the number **2** below it, indicating the number of people required for assembly.

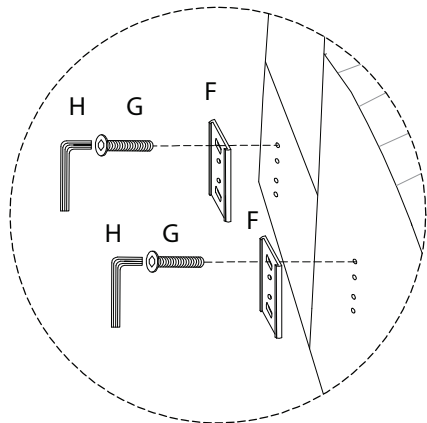
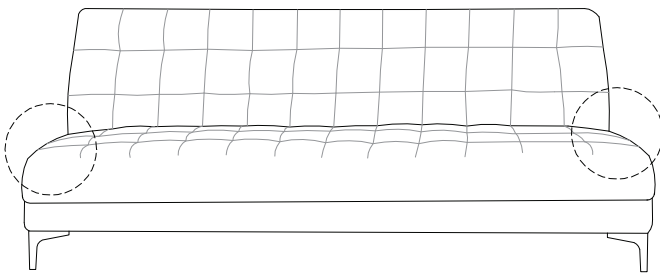
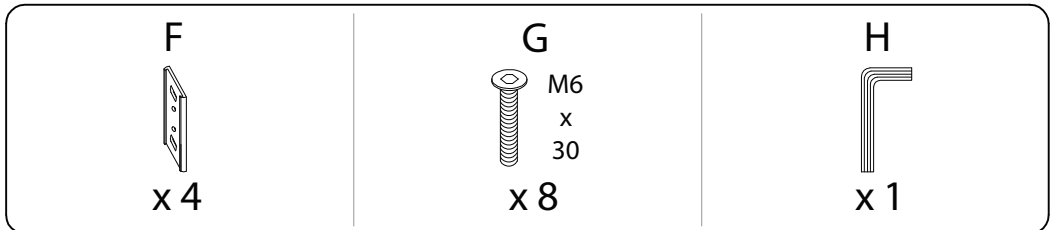
**Warnings:** A second warning triangle is located below the first one. Below this triangle is an icon box showing a square block on a mat and a crossed-out block with a screwdriver, indicating that the sofa should be placed on a soft surface and not assembled on a hard floor.



1



2



3

A



x 1

C



x 1

