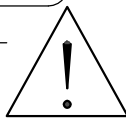
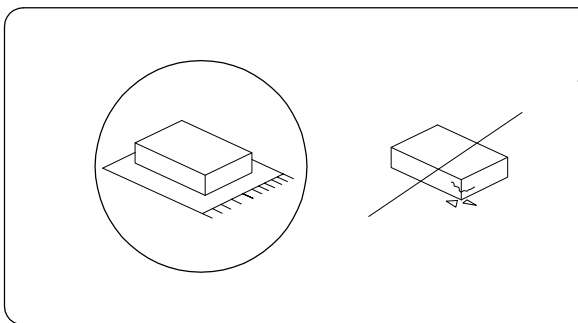
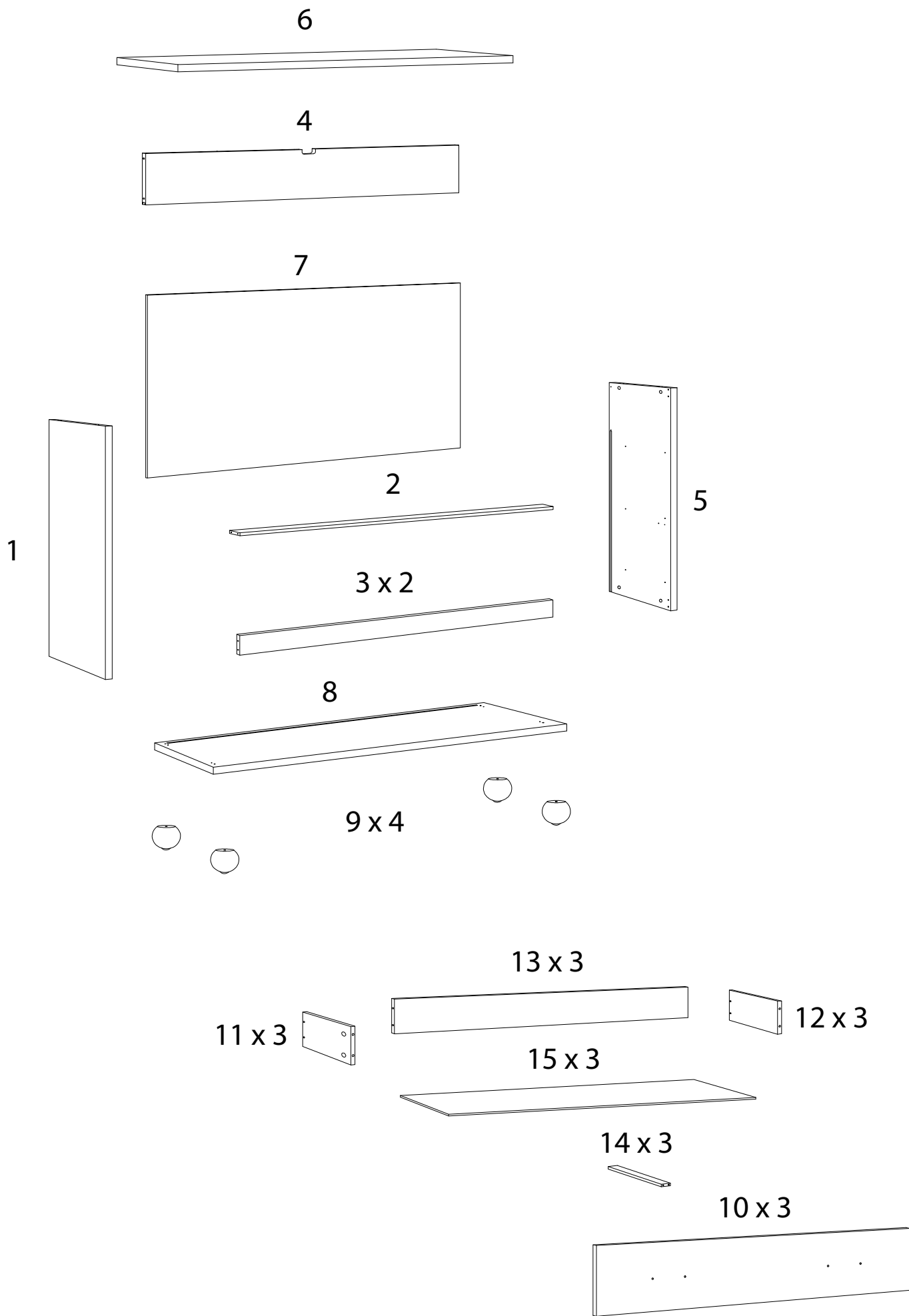
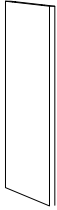







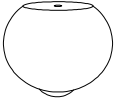

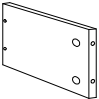
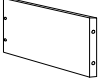
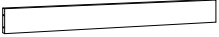
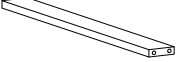





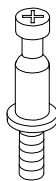
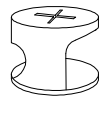
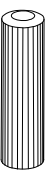
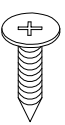

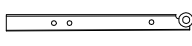

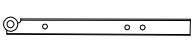
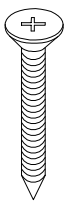
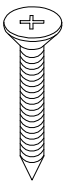
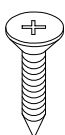
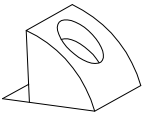
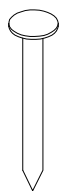
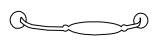
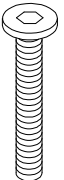
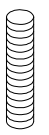
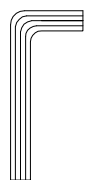
90'



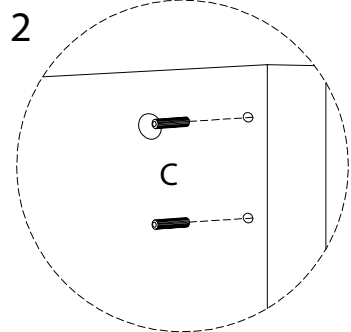
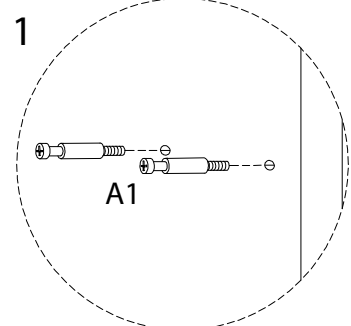
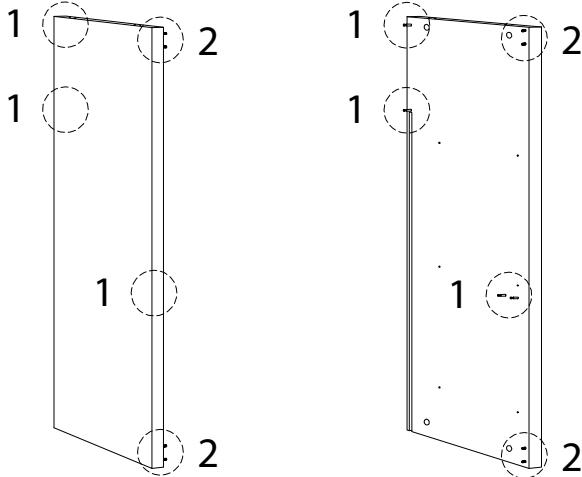
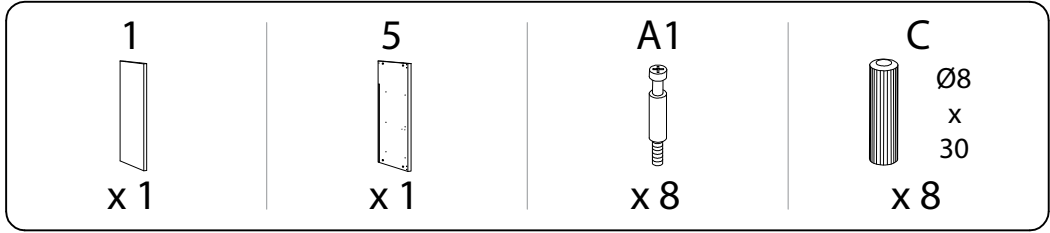
2



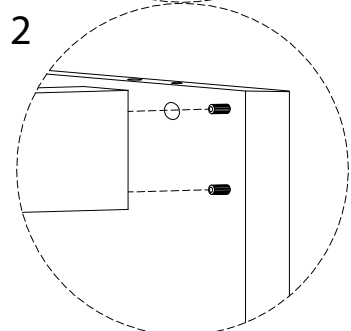
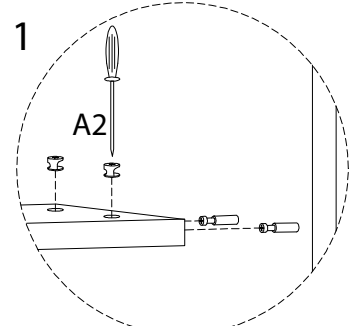
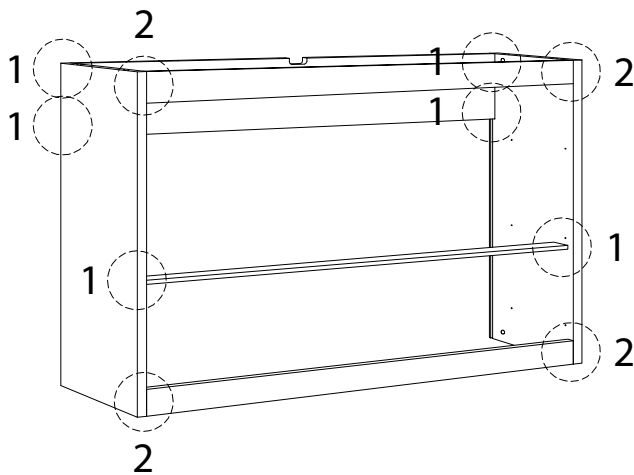
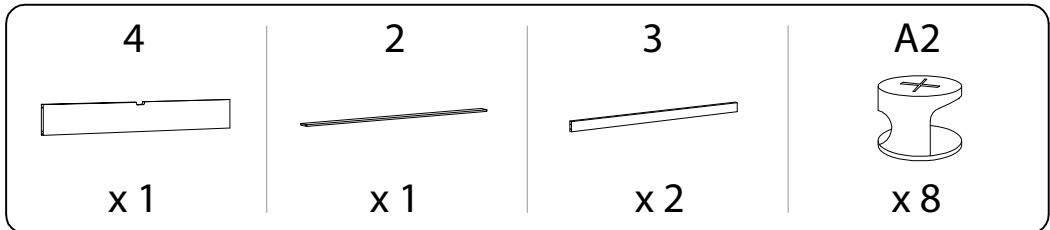
<p>1</p>  <p>x 1</p>	<p>2</p>  <p>x 1</p>	<p>3</p>  <p>x 2</p>	
<p>4</p>  <p>x 1</p>	<p>5</p>  <p>x 1</p>	<p>6</p>  <p>x 1</p>	<p>7</p>  <p>x 1</p>
<p>8</p>  <p>x 1</p>	<p>9</p>  <p>x 4</p>	<p>10</p>  <p>x 3</p>	<p>11</p>  <p>x 3</p>
<p>12</p>  <p>x 3</p>	<p>13</p>  <p>x 3</p>	<p>14</p>  <p>x 3</p>	<p>15</p>  <p>x 3</p>

<p>A1</p>  <p>x 31</p>	<p>A2</p>  <p>x 31</p>	<p>B1</p>  <p>x 6</p>	<p>B2</p>  <p>x 6</p>	
<p>C</p>  <p>Ø8 x 30</p> <p>x 16</p>	<p>D</p>  <p>3.5 x 14</p> <p>x 24</p>	<p>E1</p>  <p>x 3</p>	<p>E2</p>  <p>x 3</p>	<p>E3</p>  <p>x 3</p>
<p>E4</p>  <p>x 3</p>	<p>F</p>  <p>3.5 x 35</p> <p>x 12</p>	<p>G</p>  <p>3.5 x 30</p> <p>x 6</p>	<p>H1</p>  <p>3.5 x 20</p> <p>x 6</p>	<p>H2</p>  <p>x 6</p>
<p>I</p>  <p>x 30</p>	<p>J</p>  <p>x 6</p>	<p>K</p>  <p>M4 x 22</p> <p>x 12</p>	<p>L</p>  <p>M5 x 25</p> <p>x 4</p>	<p>M</p>  <p>x 1</p>

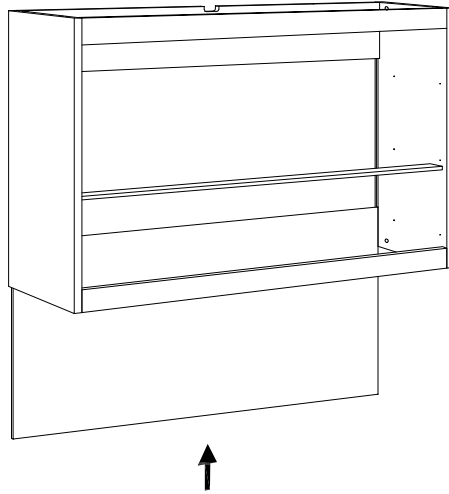
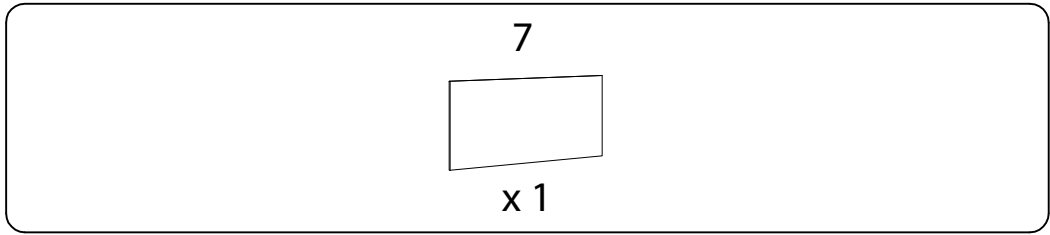
1



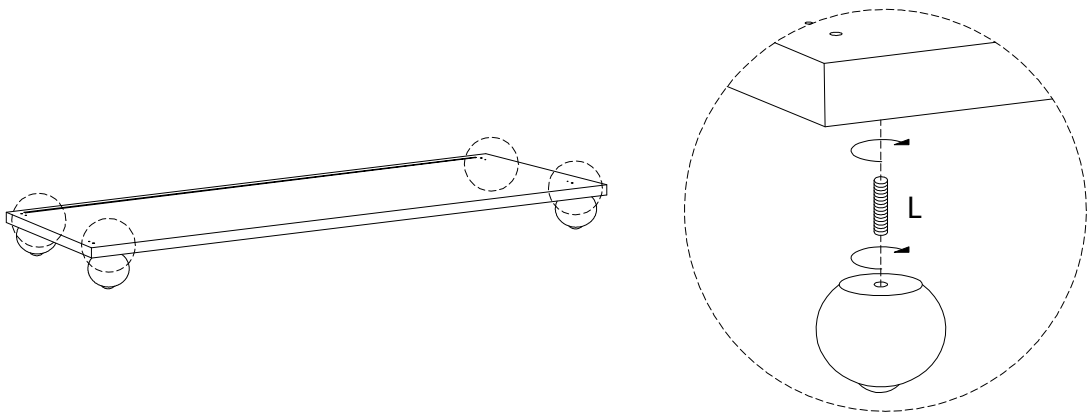
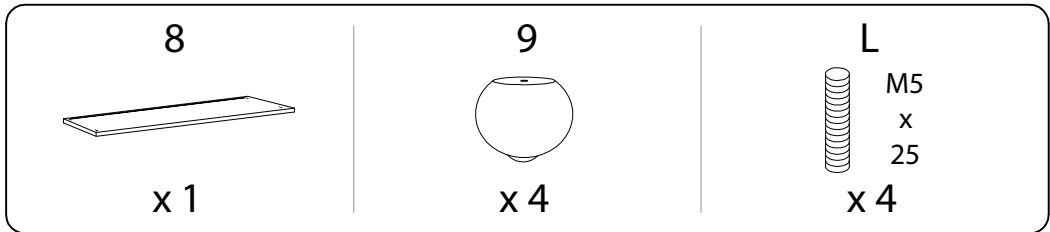
2



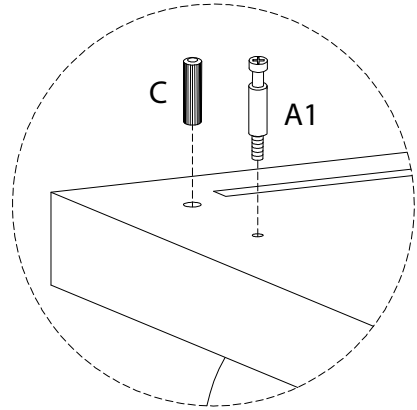
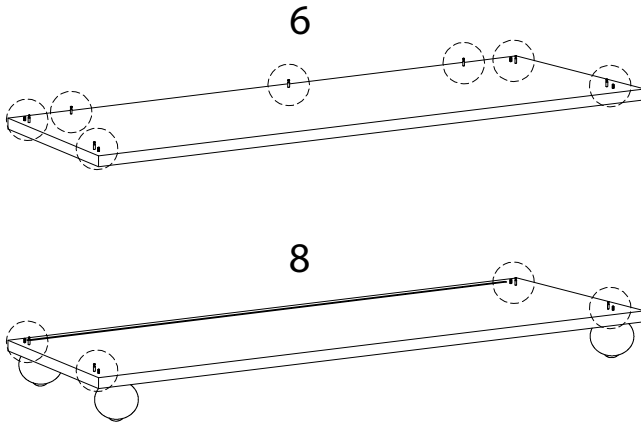
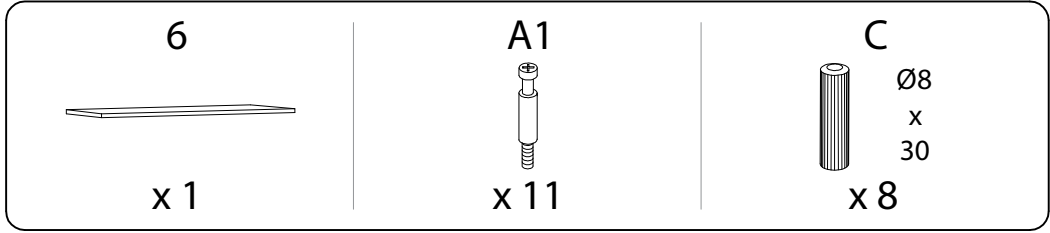
3



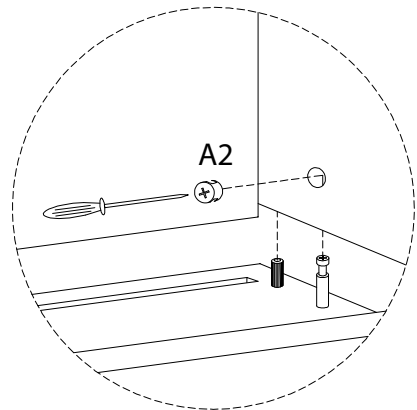
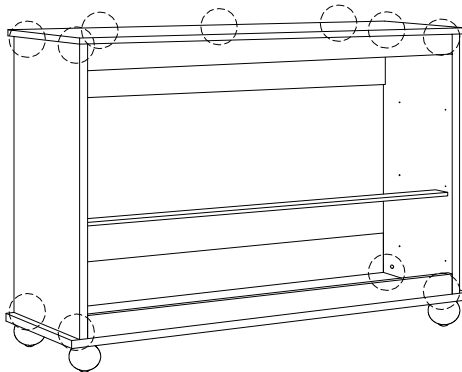
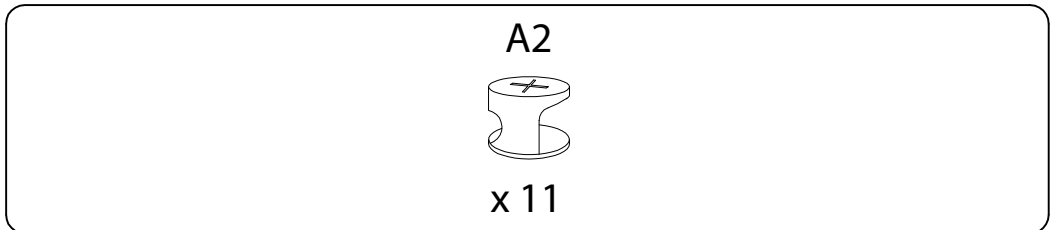
4



5

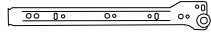


6



7

E1



x 3

E3



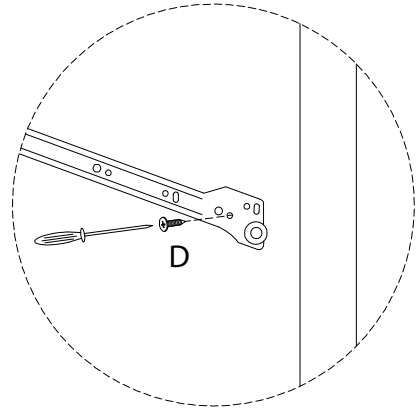
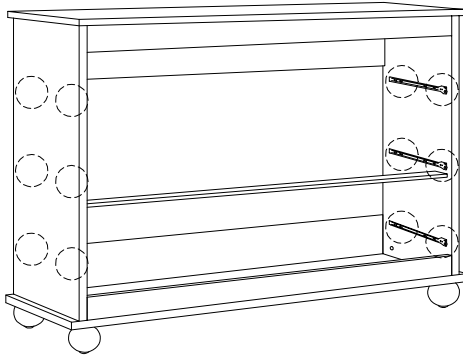
x 3

D



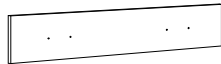
3.5  
x  
14

x 12



8 x 3

10

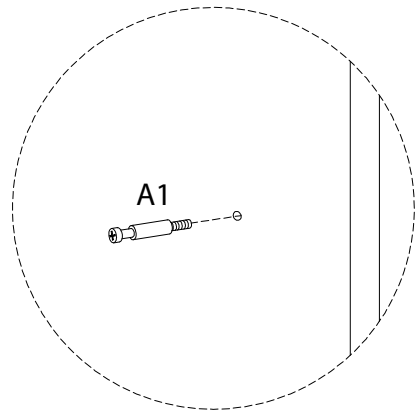
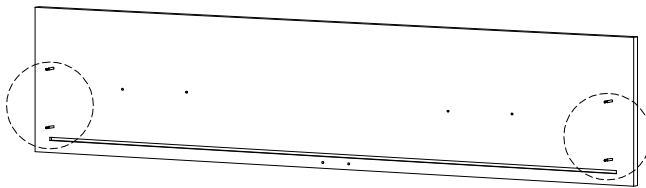


x 1

A1


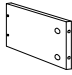
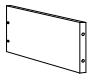
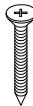


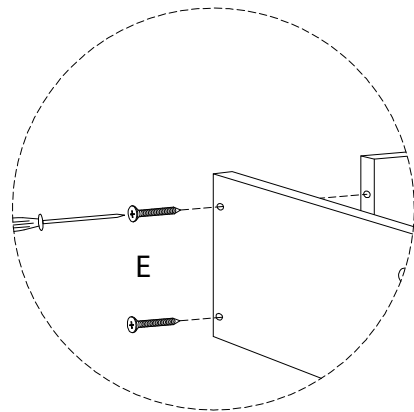
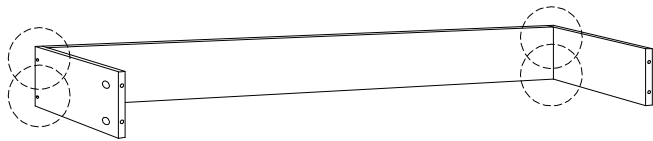
x 4



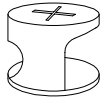
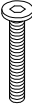

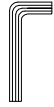


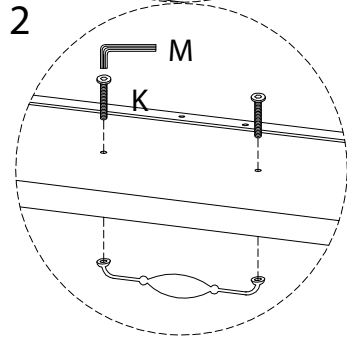
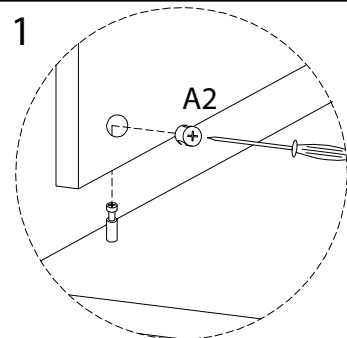
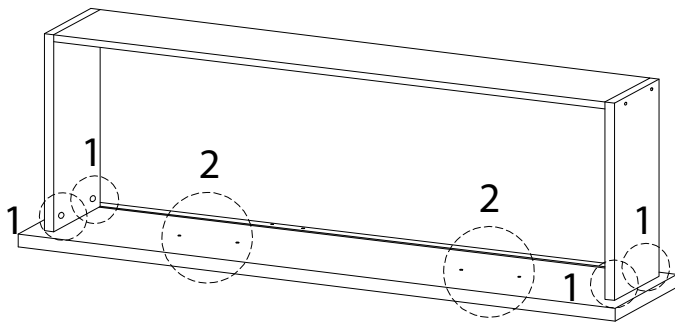
9 x 3

13  x 1	11  x 1	12  x 1	E  3.5 x 35 x 4
------------------------------------------------------------------------------------------------	------------------------------------------------------------------------------------------------	-------------------------------------------------------------------------------------------------	-------------------------------------------------------------------------------------------------------------------

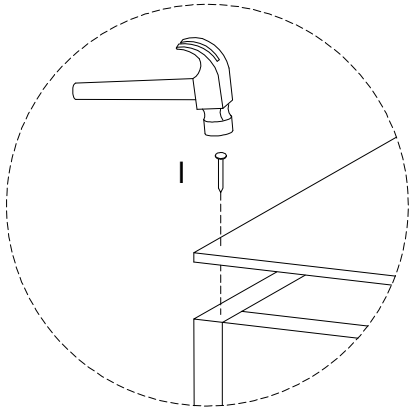
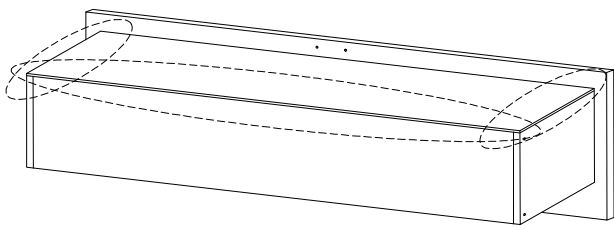
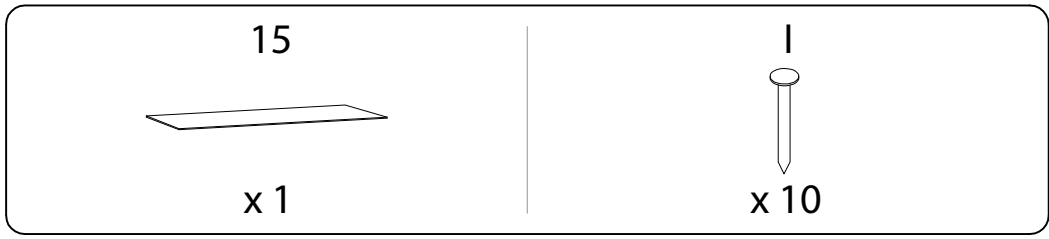


10 x 3

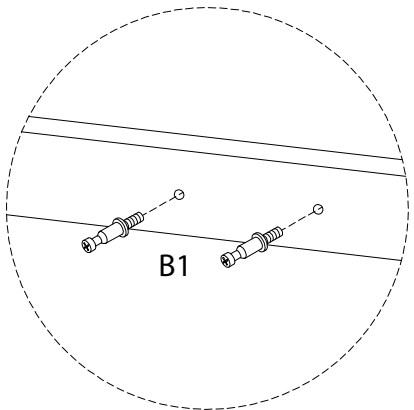
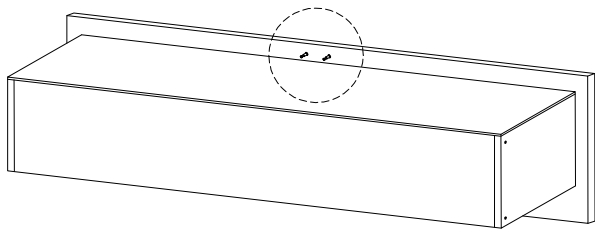
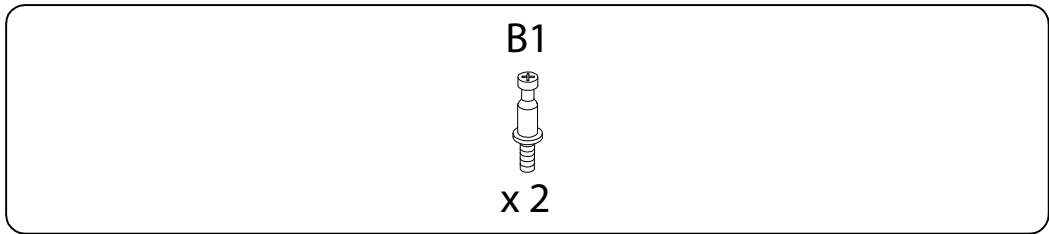
A2  x 4	K  M4 x 22 x 4	J  x 2	M  x 1
--------------------------------------------------------------------------------------------------	------------------------------------------------------------------------------------------------------------------	--------------------------------------------------------------------------------------------------	---------------------------------------------------------------------------------------------------



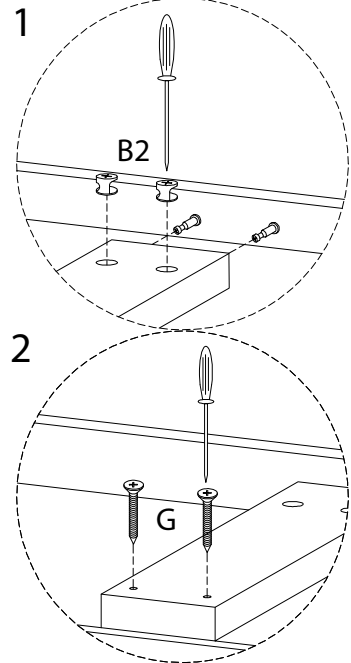
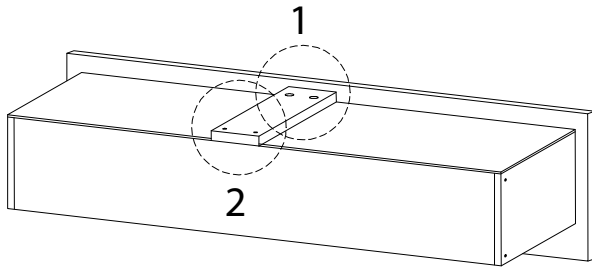
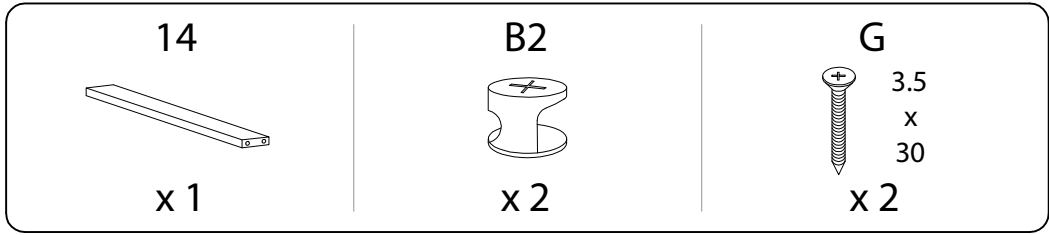
11 x 3



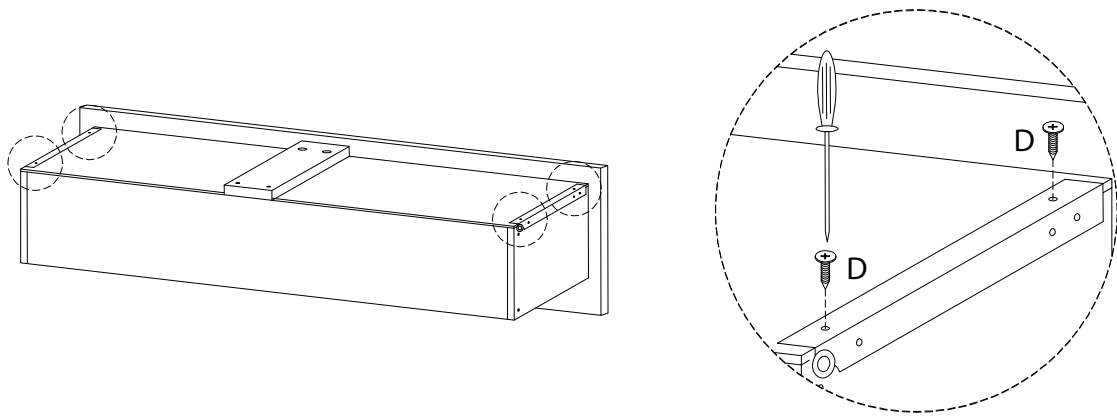
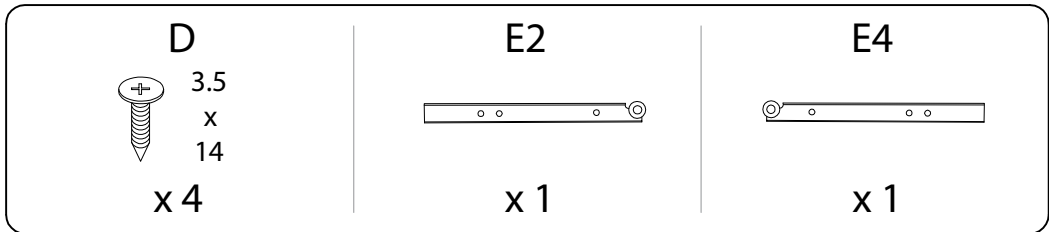
12 x 3



13 x 3

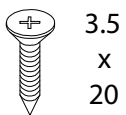


14 x 3



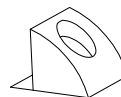
15

H1



x 6

H2



x 6

