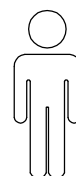
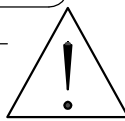
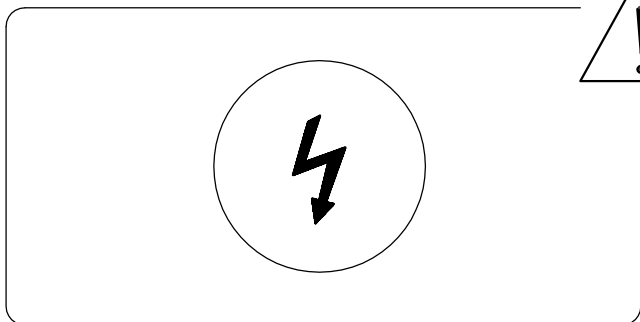
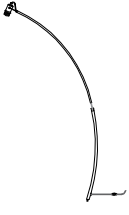
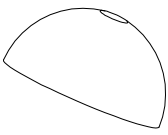


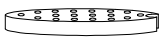


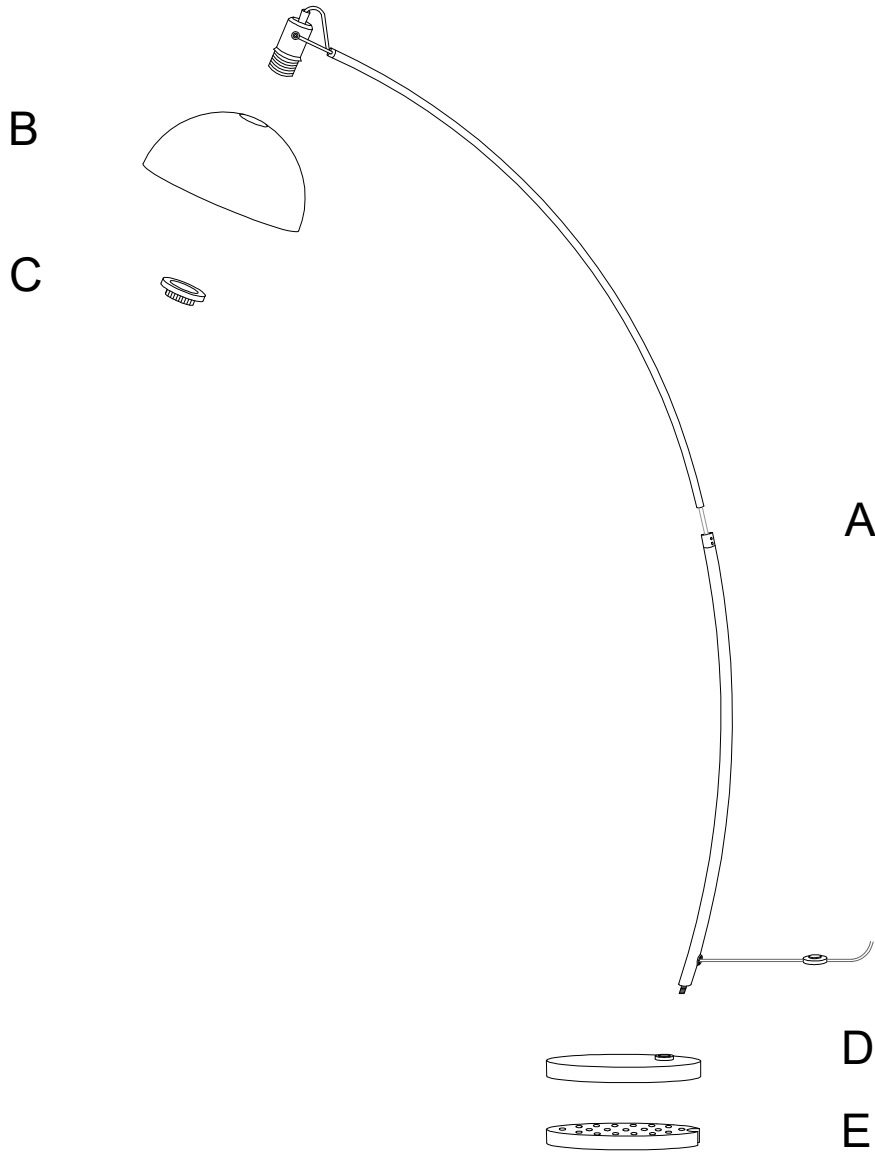
20'

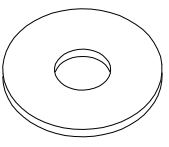
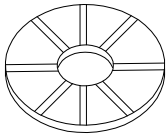
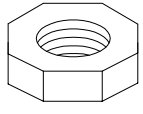
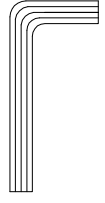
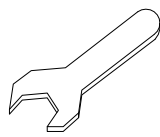


1

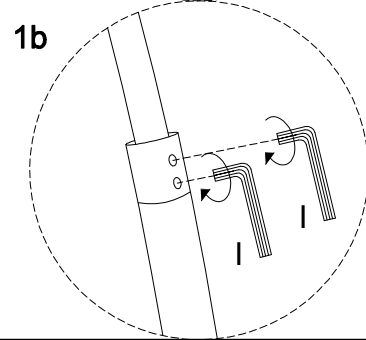
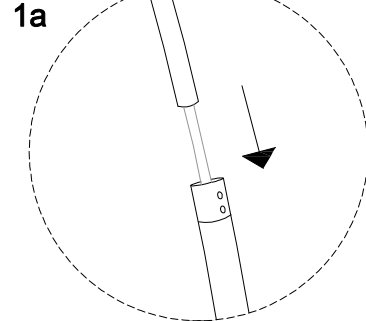
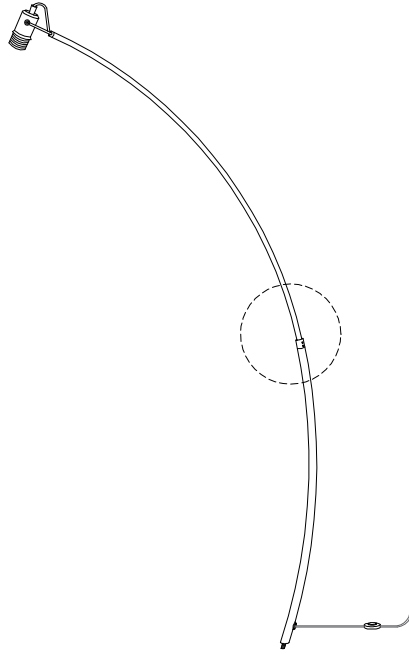
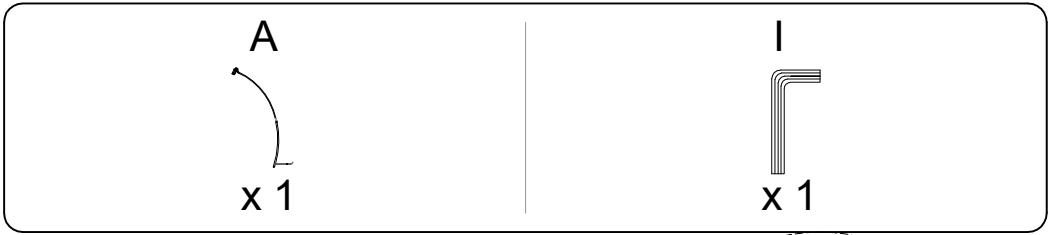
1/4

<p>A</p>  <p>x 1</p>	<p>B</p>  <p>x 1</p>	<p>C</p>  <p>x 1</p>	<p>D</p>  <p>x 1</p>	<p>E</p>  <p>x 1</p>
---	---	---	--	---

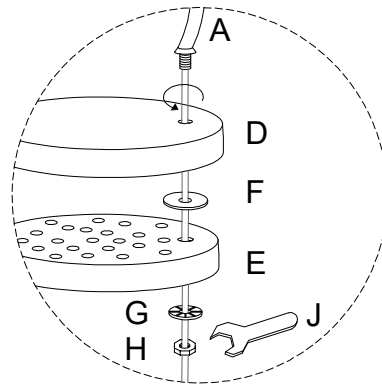
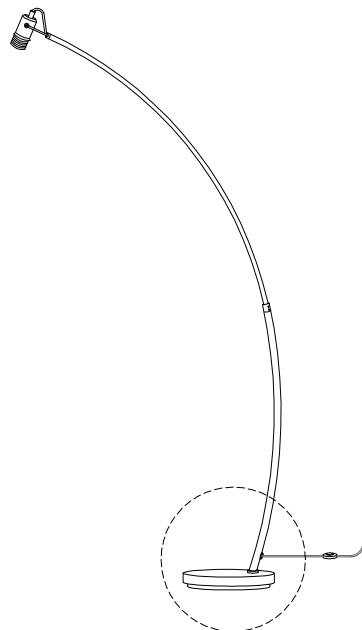
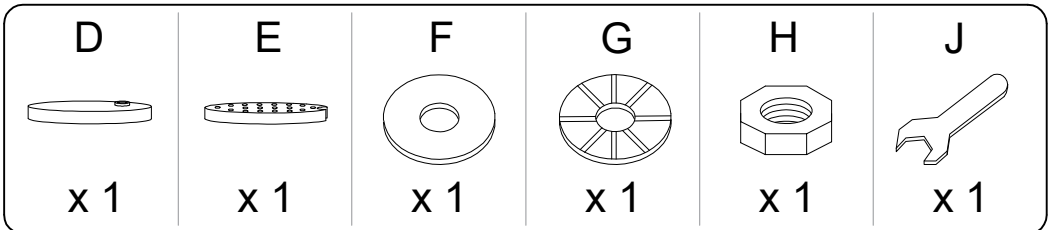


<p>F</p>  <p>x 1</p>	<p>G</p>  <p>x 1</p>	<p>H</p>  <p>x 1</p>	<p>I</p>  <p>x 1</p>	<p>J</p>  <p>x 1</p>
---	---	---	---	---

1



2



3

B

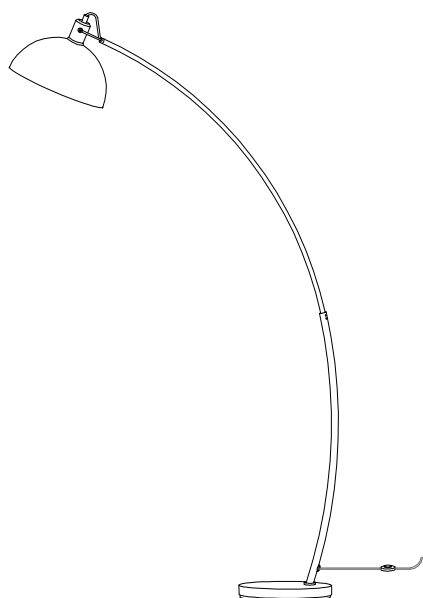


x 1

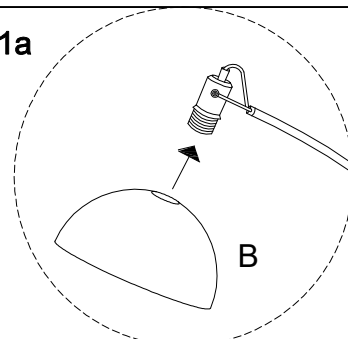
C



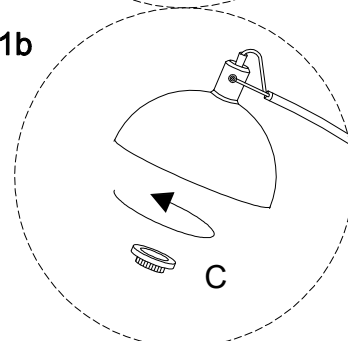
x 1



1a



1b



4

