

A

B

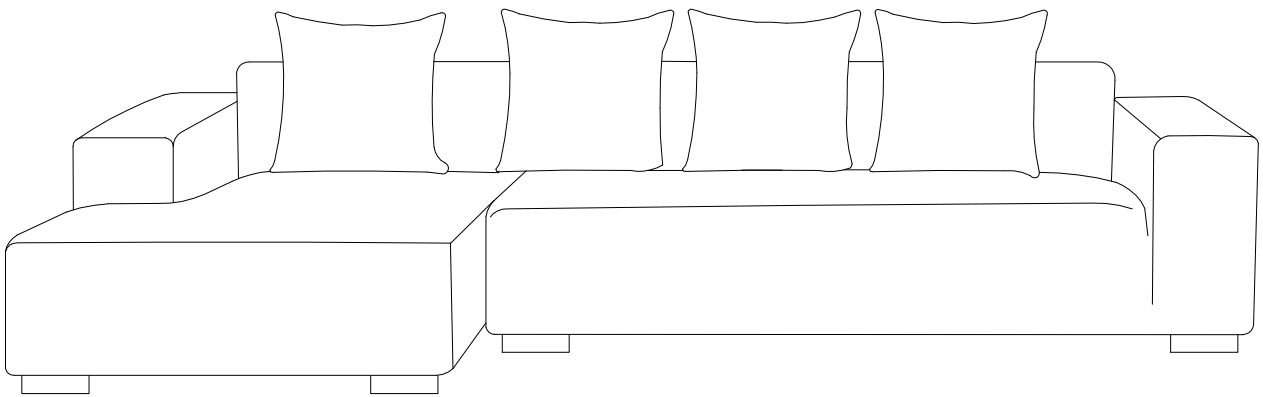
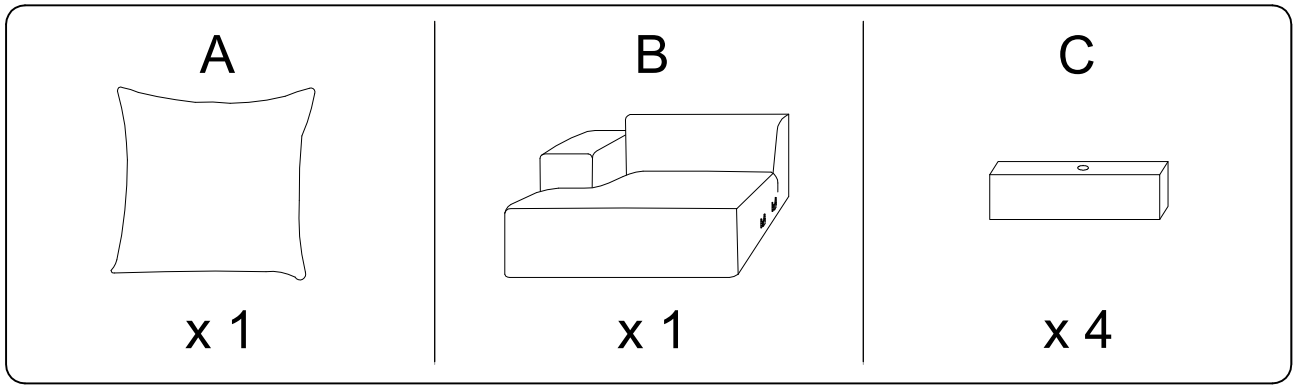


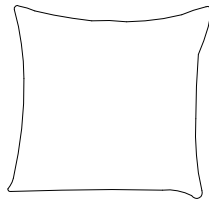
Diagram illustrating assembly instructions and safety warnings:

- Warning 1:** A triangle with an exclamation mark points to a box containing an L-shaped metal bracket and a crossed-out power drill, indicating that a power drill should not be used for this step.
- Warning 2:** A triangle with an exclamation mark points to a box containing a rectangular foam block and a crossed-out screwdriver, indicating that a screwdriver should not be used for this step.
- Time:** A clock icon is positioned above the number **15'**, indicating a 15-minute assembly time.
- Personnel:** A person icon is positioned above the number **2**, indicating that two people are required for assembly.

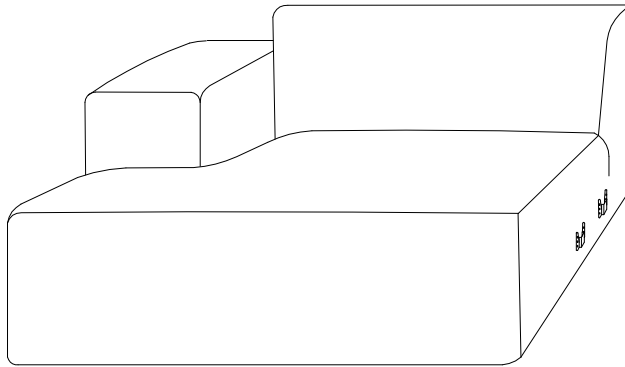
A



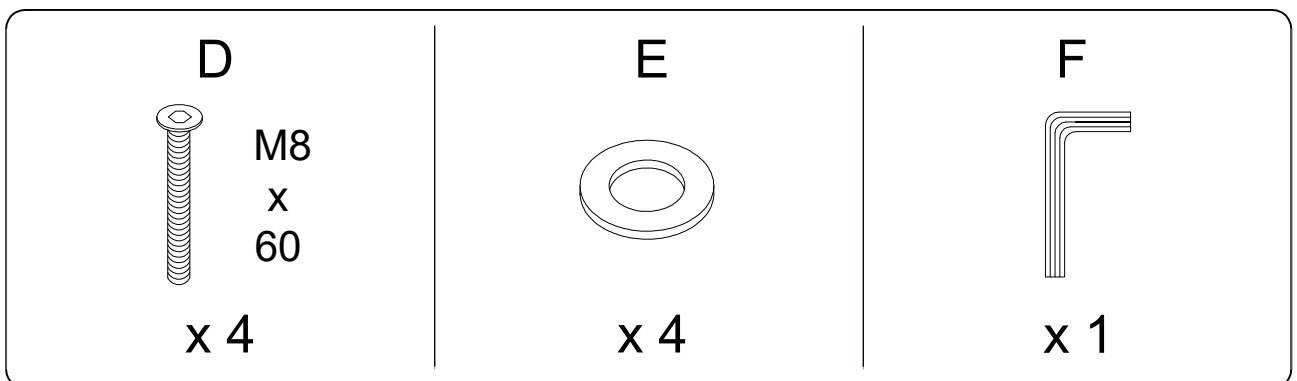
A



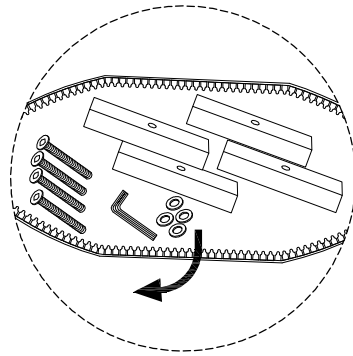
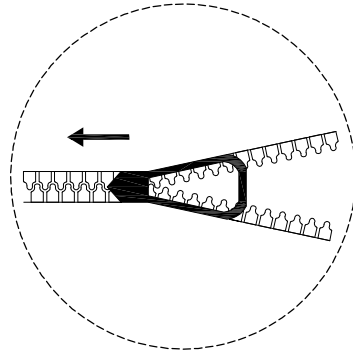
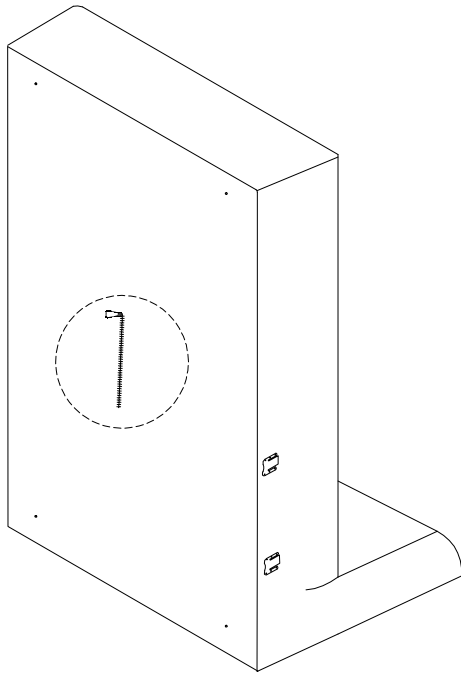
B



C x 4

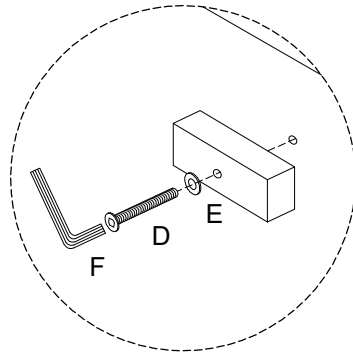
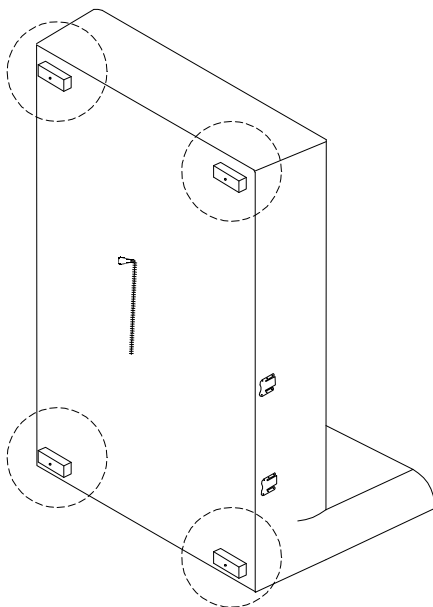


!

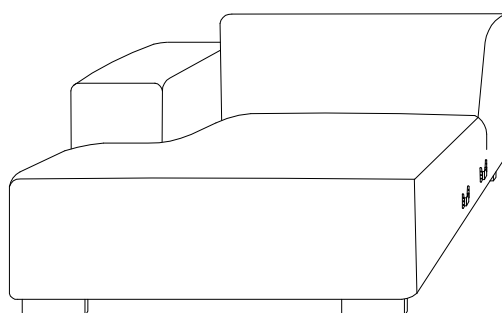
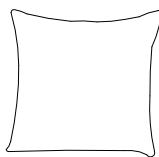
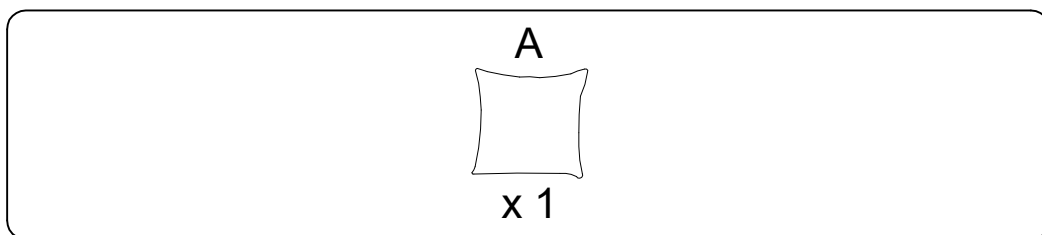


1

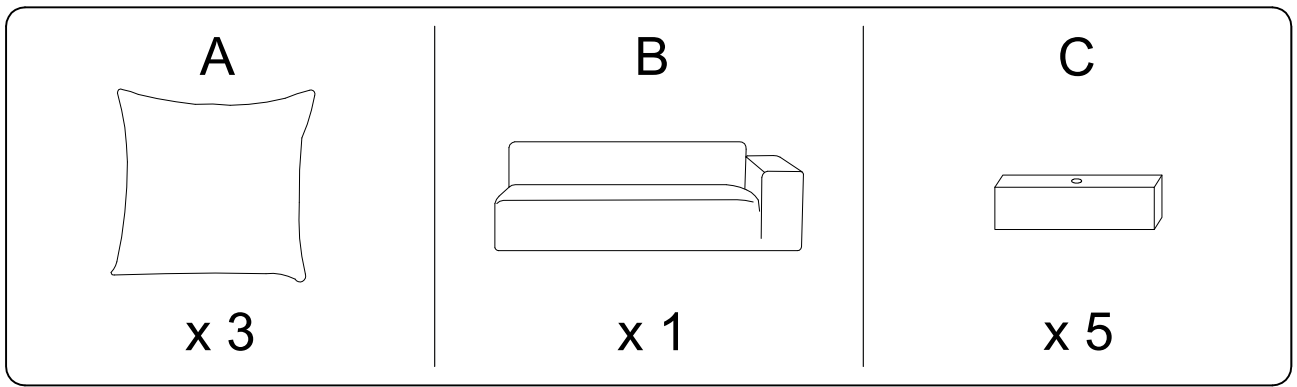
B x 1	C x 1	D M8 x 60 x 4	E x 4	F x 1
---------------------	---------------------	--------------------------------------	---------------------	---------------------



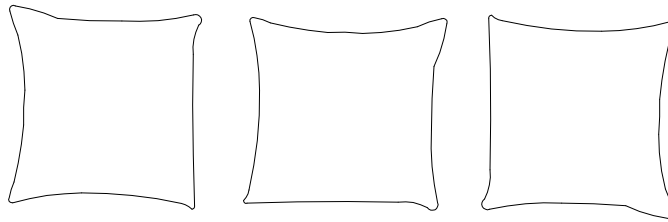
2



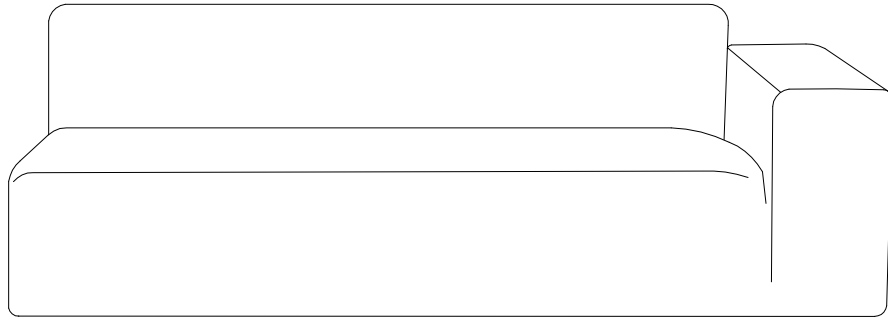
B



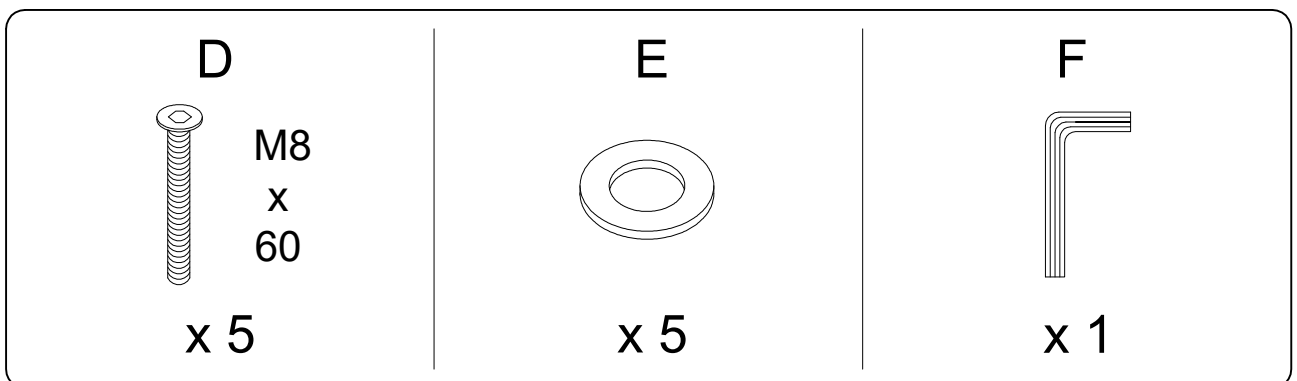
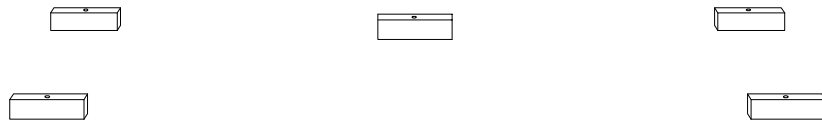
A x 3

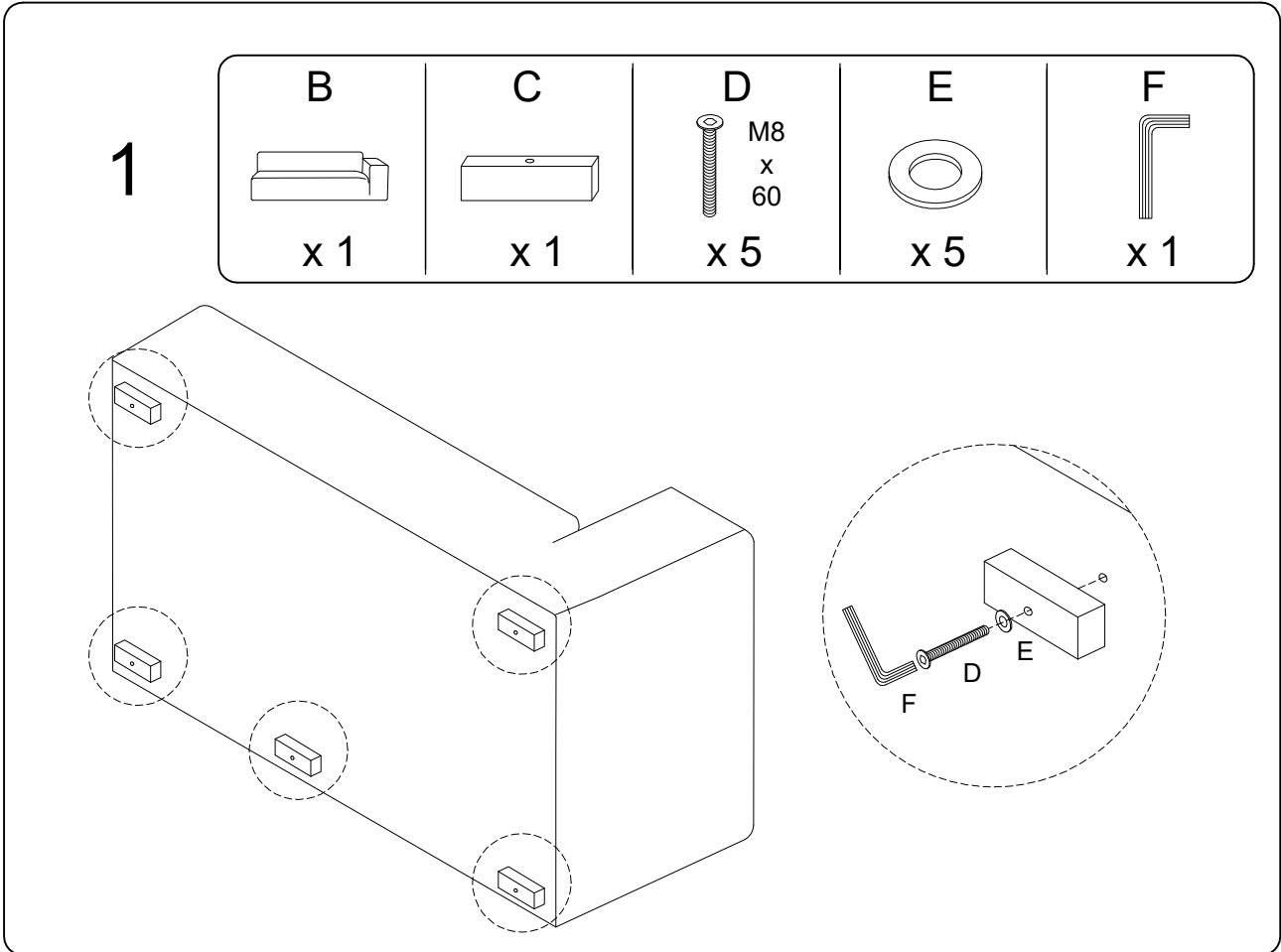
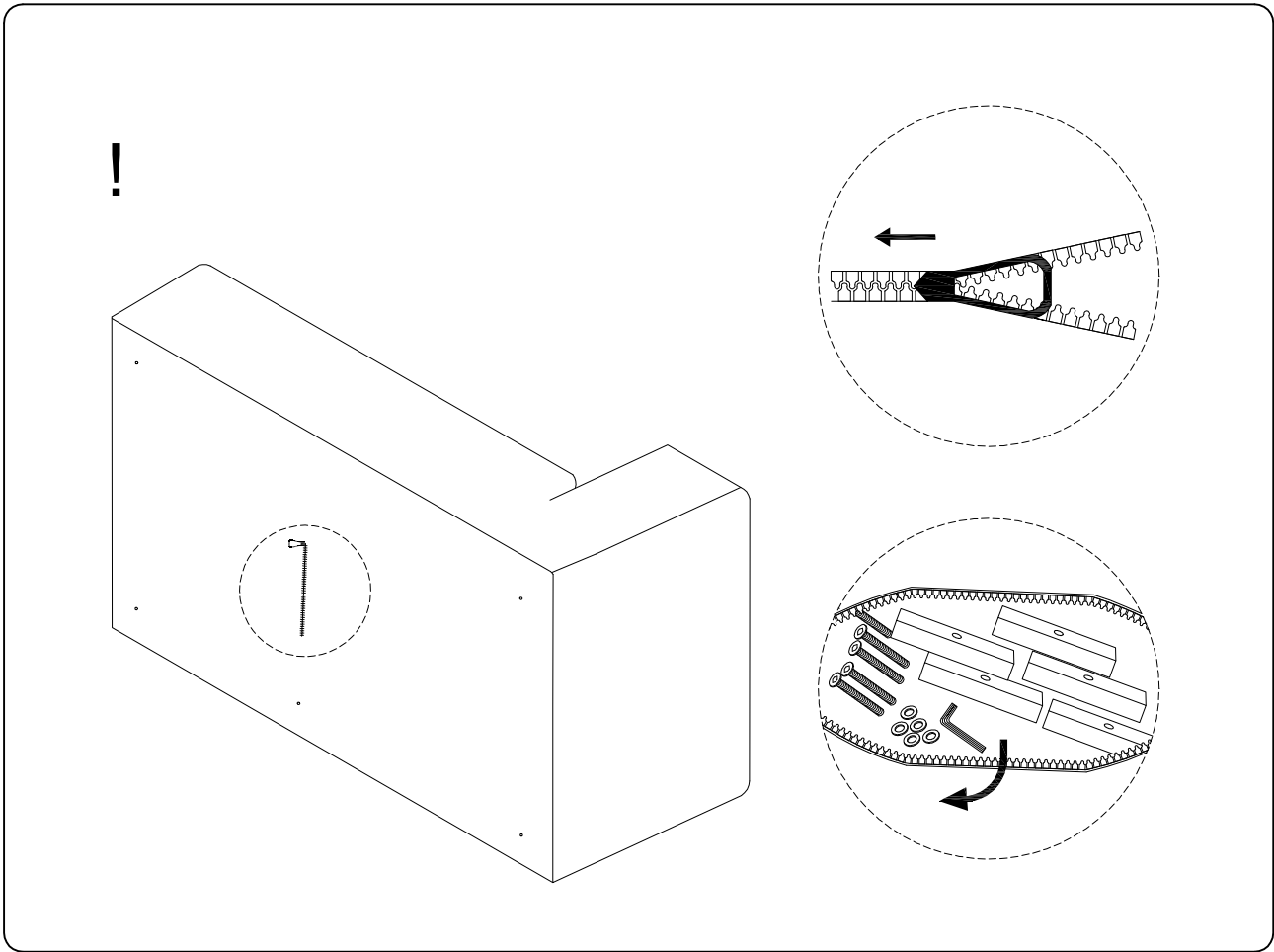


B

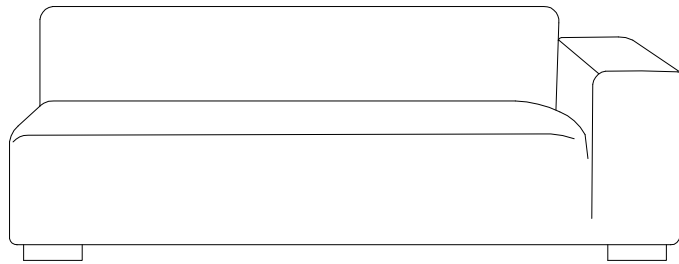
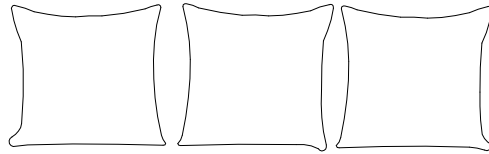
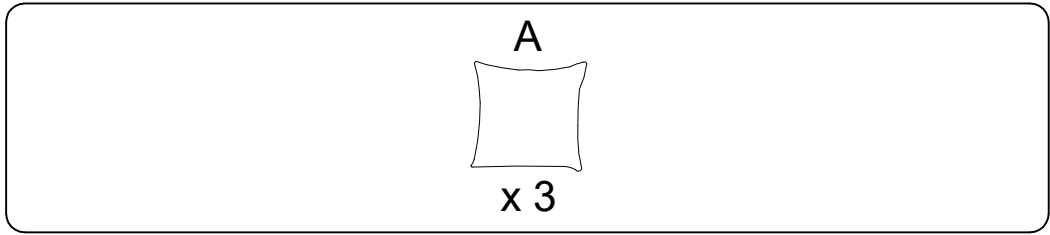


C x 5





2



!

