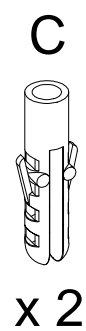
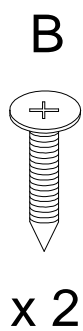
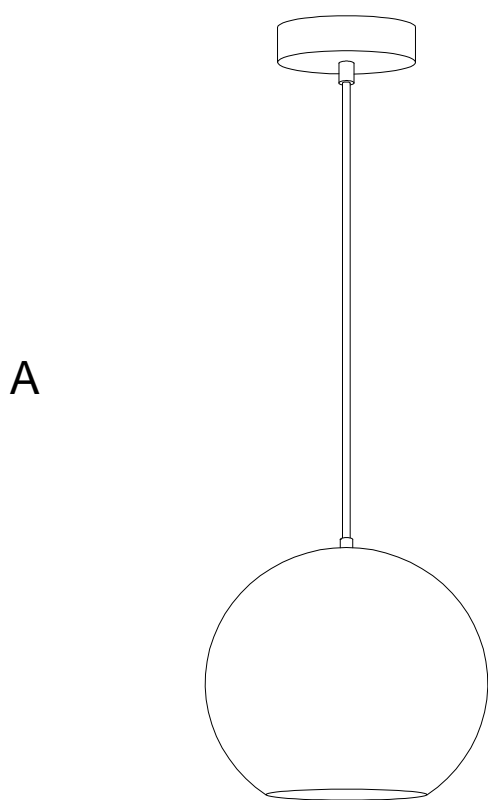
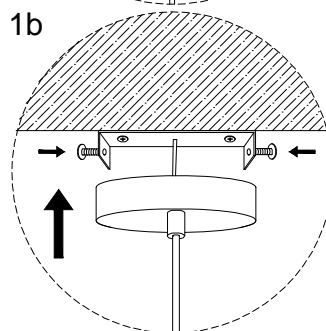
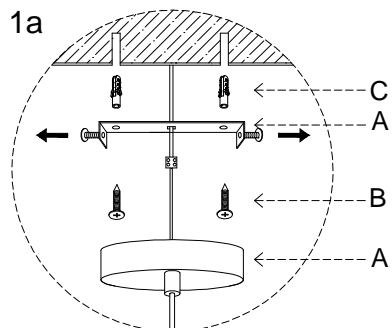
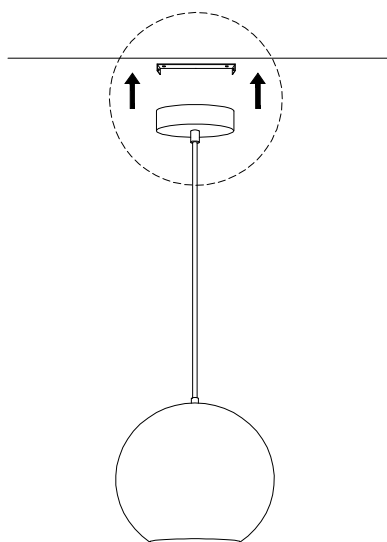
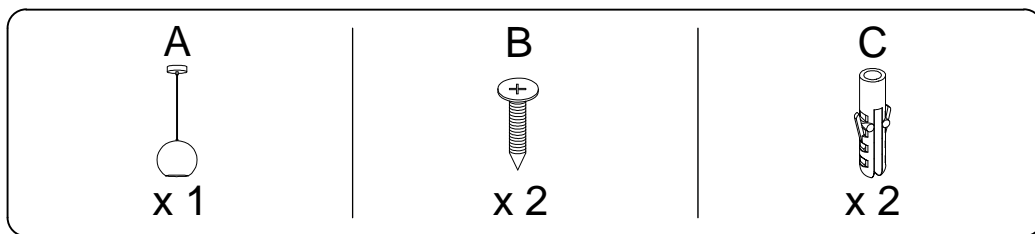


Diagram illustrating safety requirements for the installation of the light fixture:

- Drilling:** A circular icon containing a power drill is shown within a rectangular box. To the right of this box is a warning triangle containing an exclamation mark.
- Height:** A clock icon is shown to the right of the drilling warning, with the text "20'" below it, indicating a 20-foot height requirement.
- Electrical:** A circular icon containing a lightning bolt is shown within a rectangular box. To the right of this box is another warning triangle containing an exclamation mark.
- Personnel:** A stick figure icon is shown to the right of the electrical warning, with the number "1" below it, indicating that one person is required for the task.



1



2

