

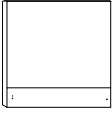

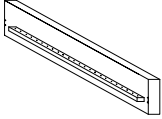
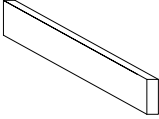

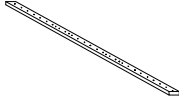

Diagram illustrating assembly instructions for the bed frame, including warnings, time, and personnel requirements.

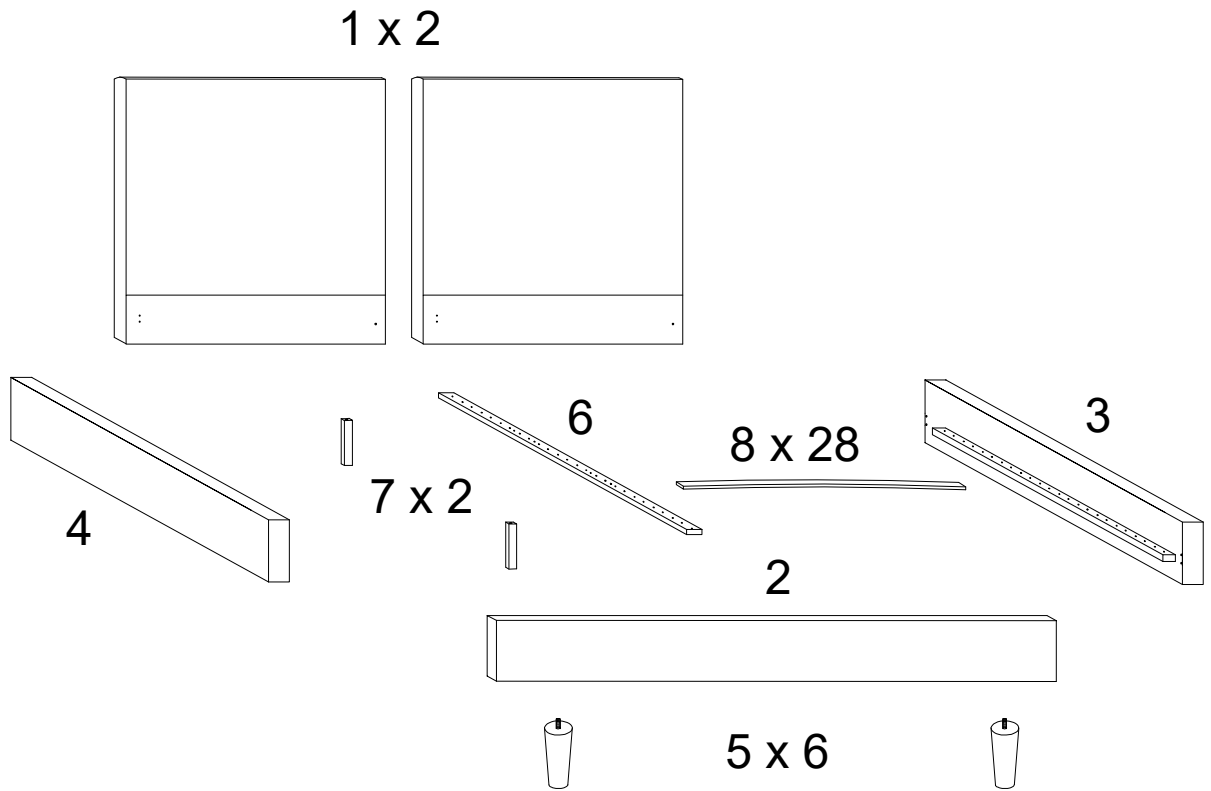
**Warning 1:** Do not use a power drill. (Icon: L-shaped metal bracket and a crossed-out power drill).



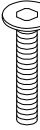
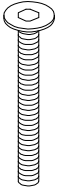

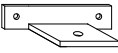
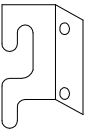
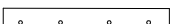
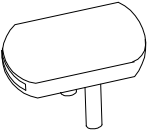

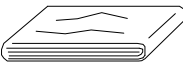
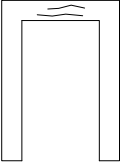
**Warning 2:** Do not use a power saw. (Icon: A rectangular block being cut by a power saw, with a crossed-out saw).

**Time:** 30' (Icon: A clock face).

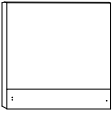
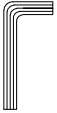
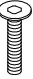
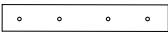
**Personnel:** 2 (Icon: A person silhouette).

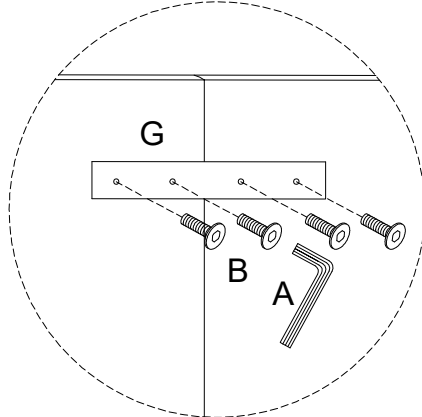
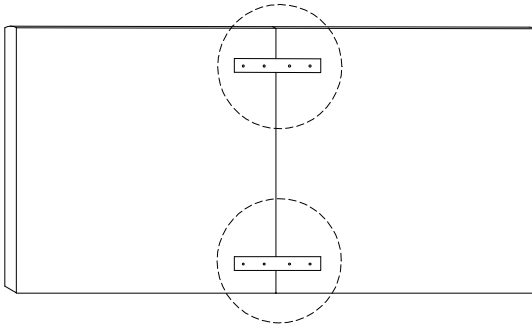
1	2	3	4	5	6	7
						
x 2	x 1	x 1	x 1	x 6	x 1	x 2




8	A	B	C	D	E
					
x 28	x 1	x 28	x 2	x 2	x 2
F	G	H	I	J	K
					
x 4	x 2	x 14	x 28	x 1	x 1

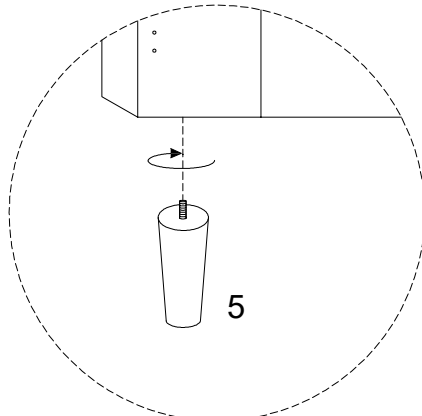
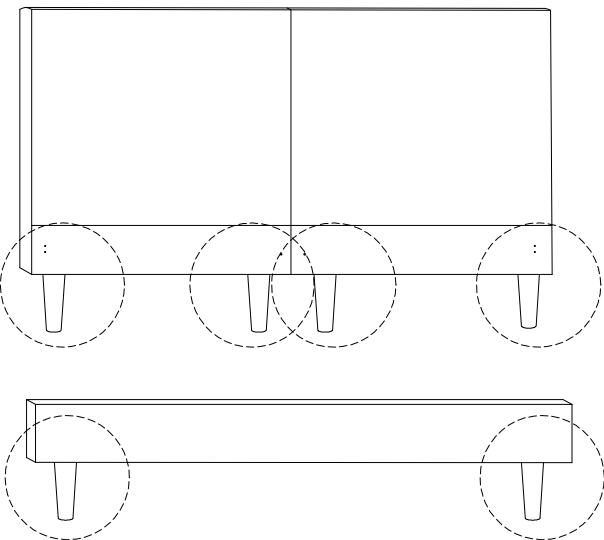
1

<b>1</b>  x 2	<b>A</b>  x 1	<b>B</b>  M8 x 25 x 8	<b>G</b>  x 2
--	--	--	--

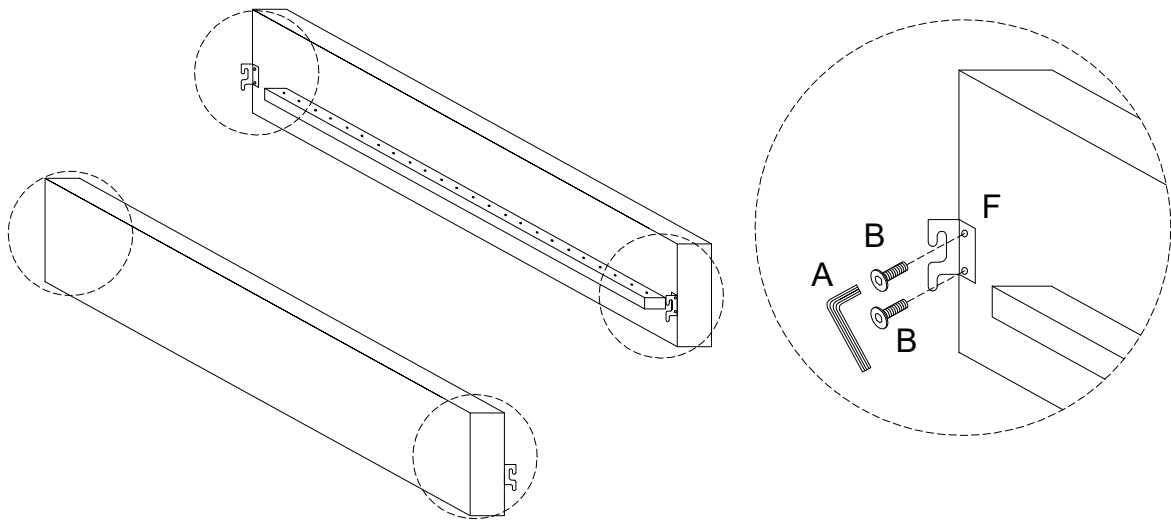
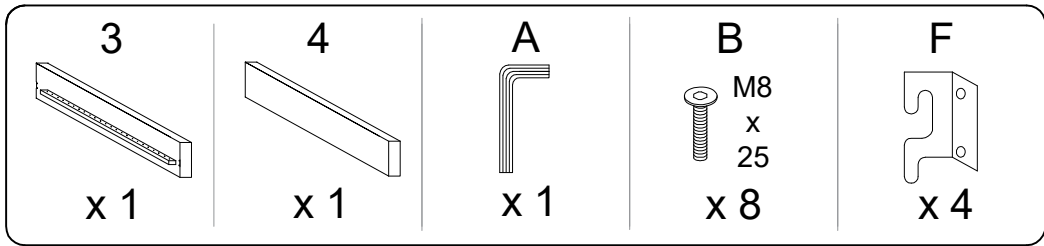


2

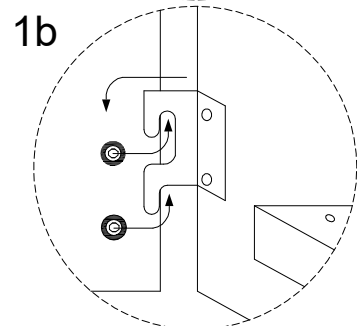
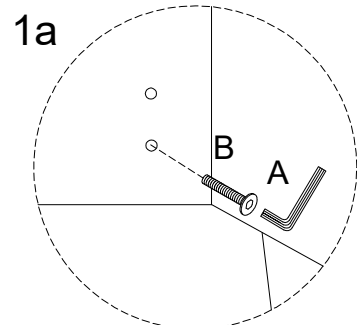
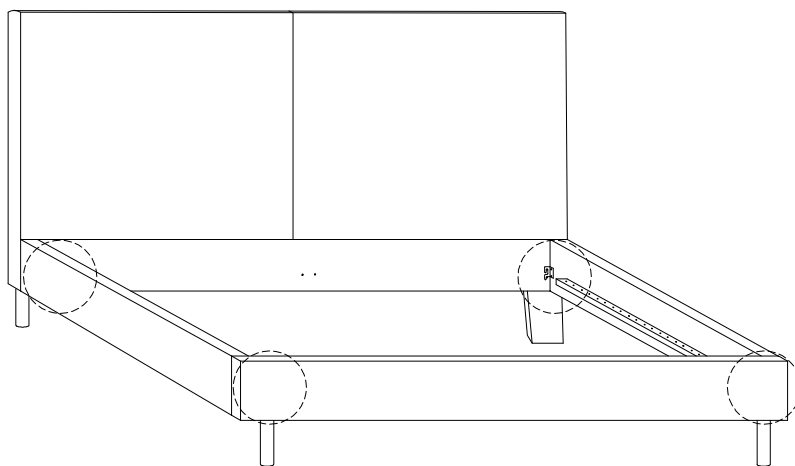
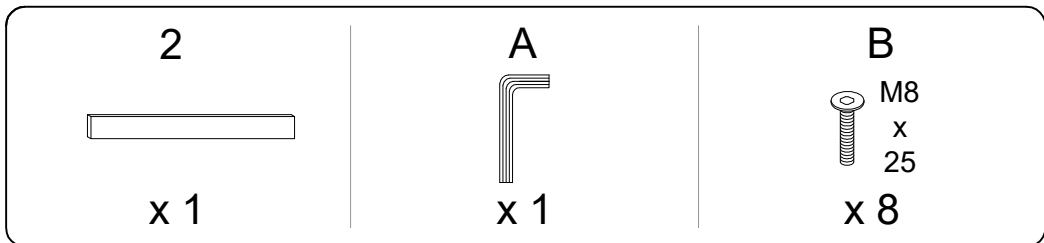
<b>5</b>  x 6
--



3

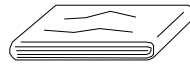


4

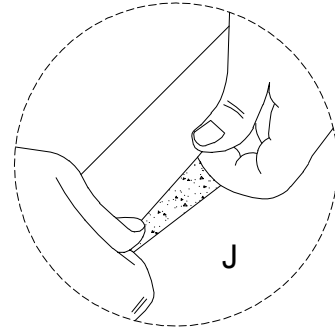
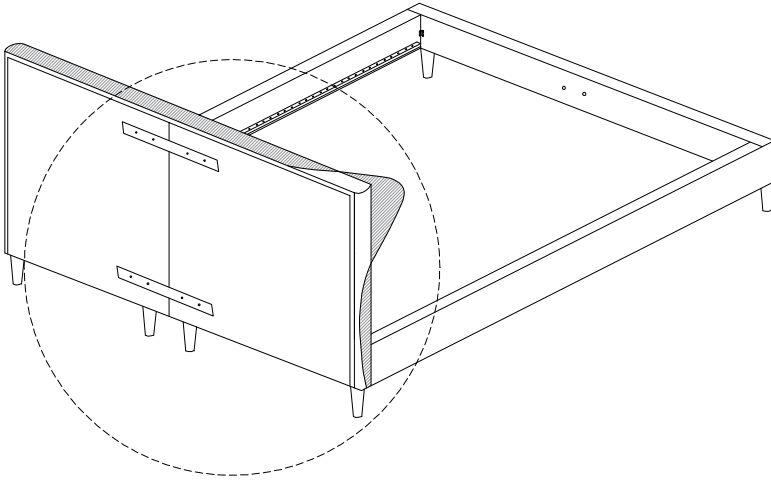


5

J

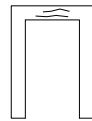


x 1

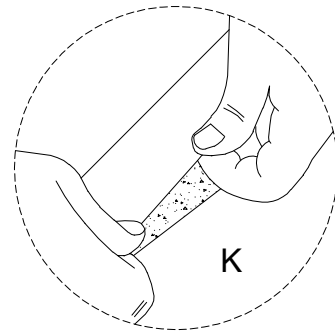
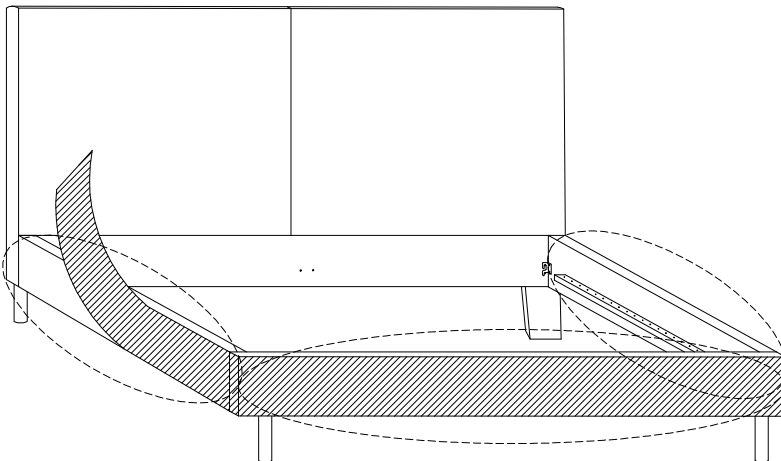


6



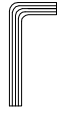
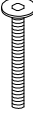
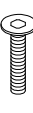
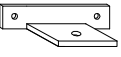
K

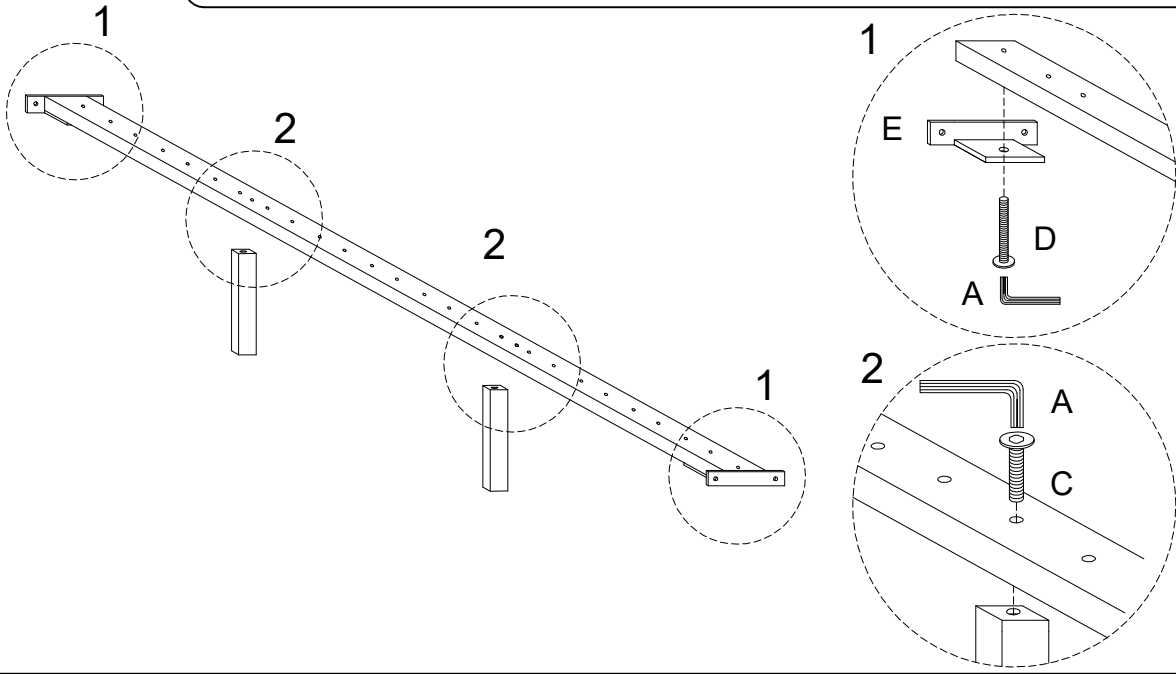


x 1


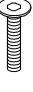


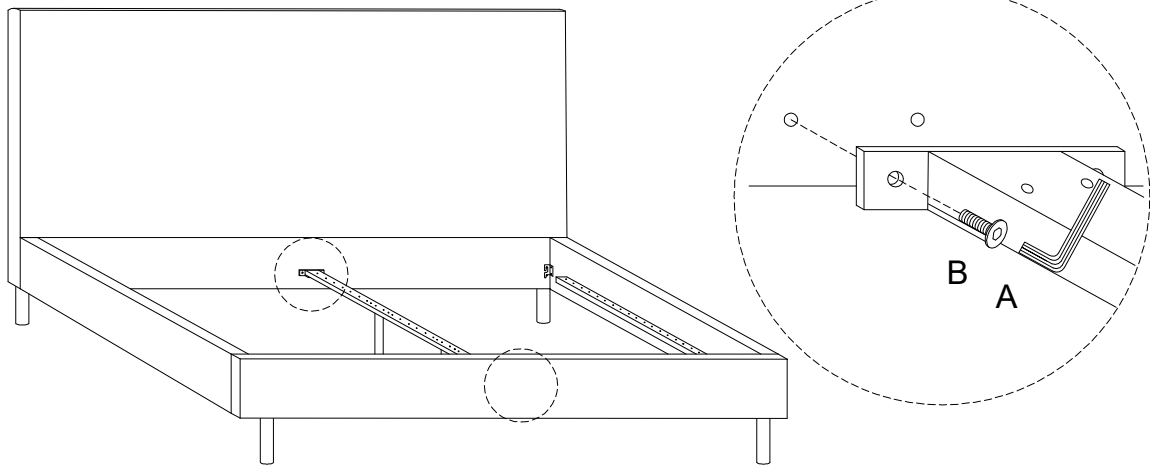
# 7

<b>6</b>  x 1	<b>7</b>  x 2	<b>A</b>  x 1	<b>C</b>  M8 x 45 x 2	<b>D</b>  M6 x 20 x 2	<b>E</b>  x 2
--	--	--	--	--	--

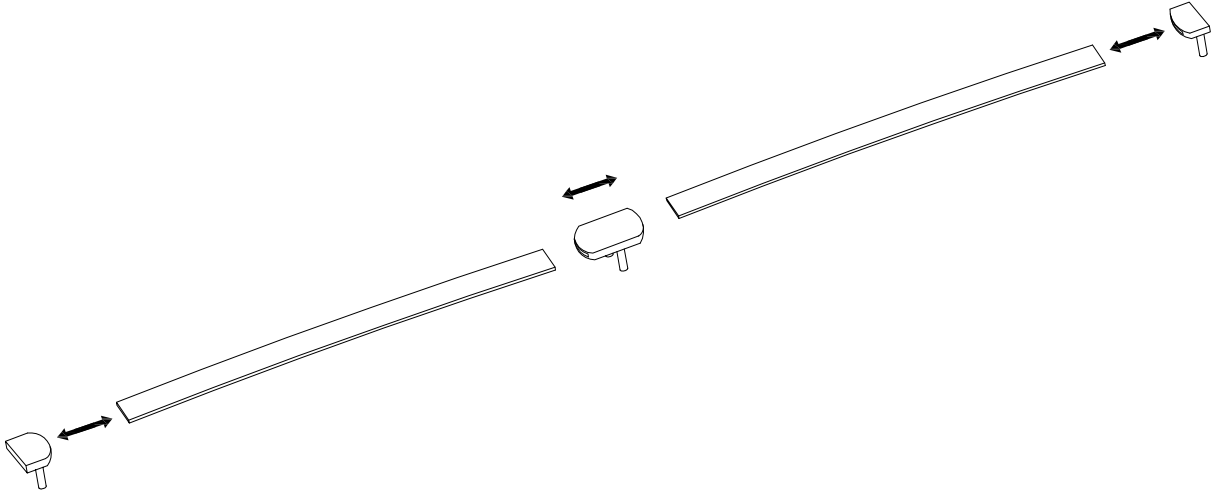
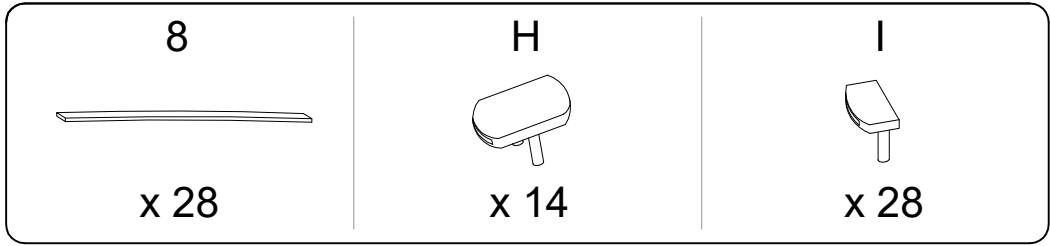


# 8

<b>A</b>  x 1	<b>B</b>  M8 x 25 x 4
--	--



9



10

