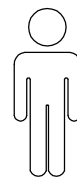


5'



1

A



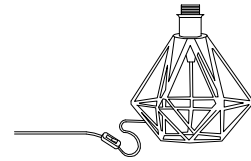
x 1

B



x 1

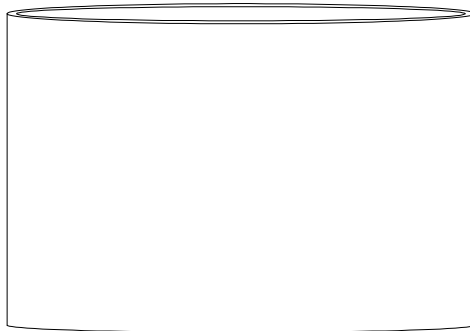
C



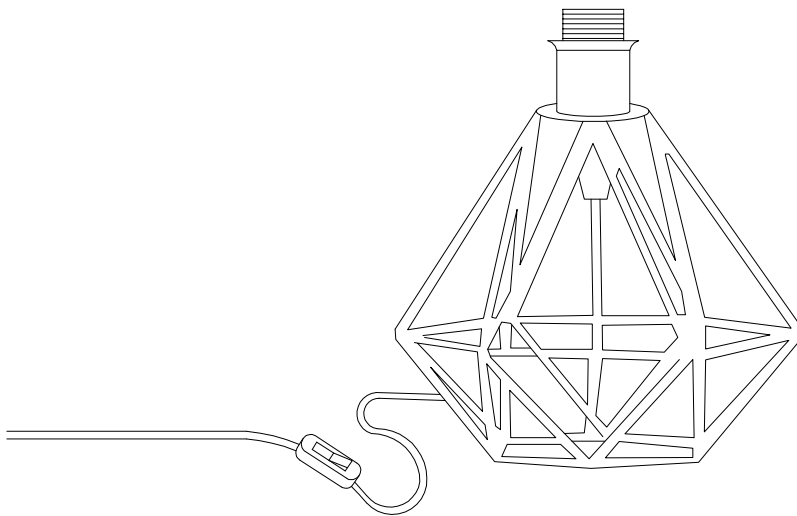
x 1



A

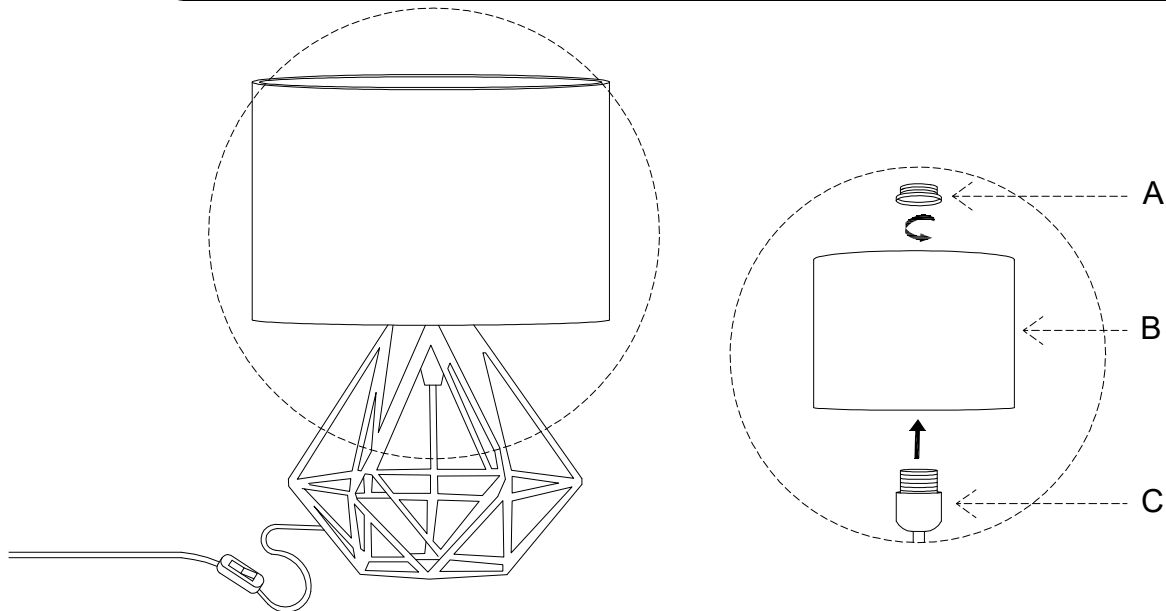
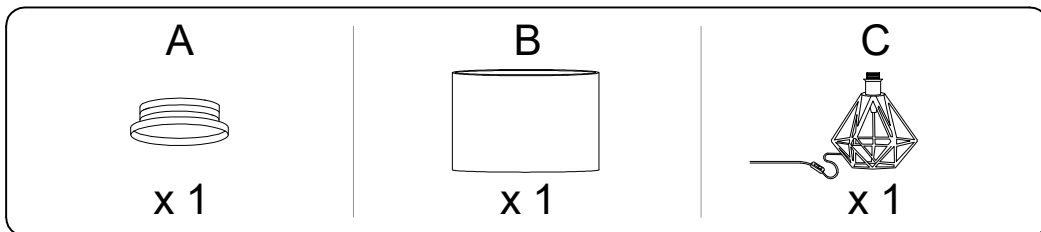


B



C

1



2

