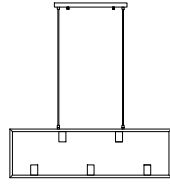


Diagram illustrating safety and time requirements for the installation:

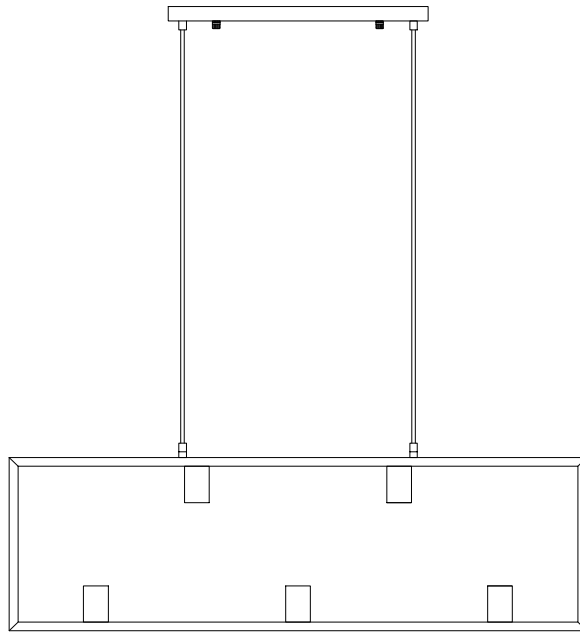
- Drill:** A circular icon containing a drill bit, indicating that drilling is required for installation.
- Warning:** A triangular warning icon with an exclamation mark, indicating a safety hazard.
- Time:** A clock icon with the text "20'", indicating that the installation takes approximately 20 minutes.
- Warning:** A triangular warning icon with an exclamation mark, indicating a safety hazard.
- Person:** A stick figure icon with the text "1", indicating that one person is required for the installation.

A

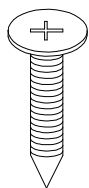


x 1

A

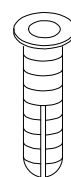


B



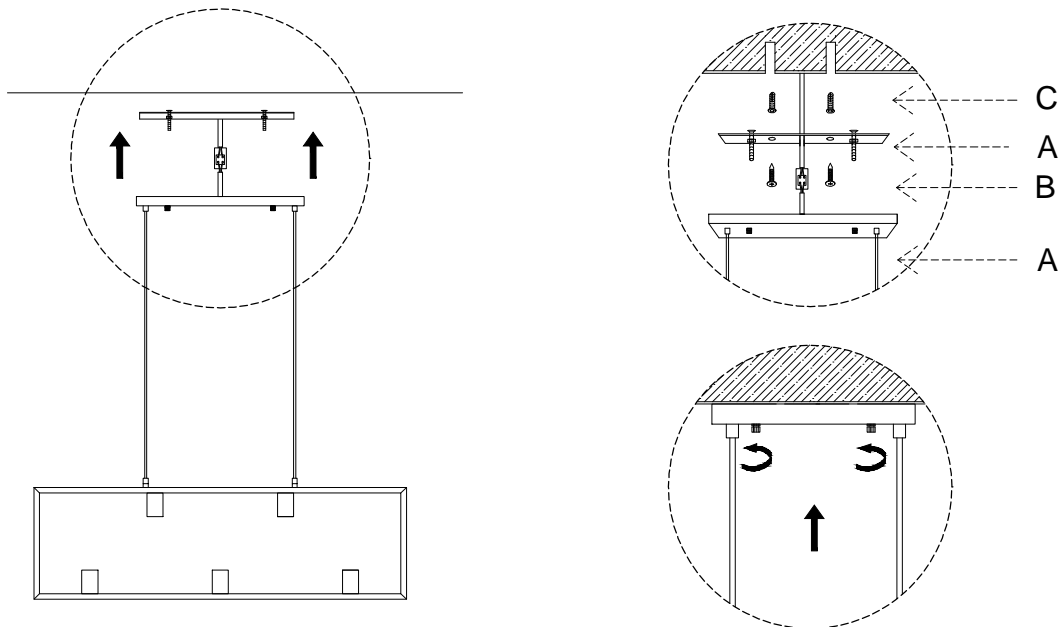
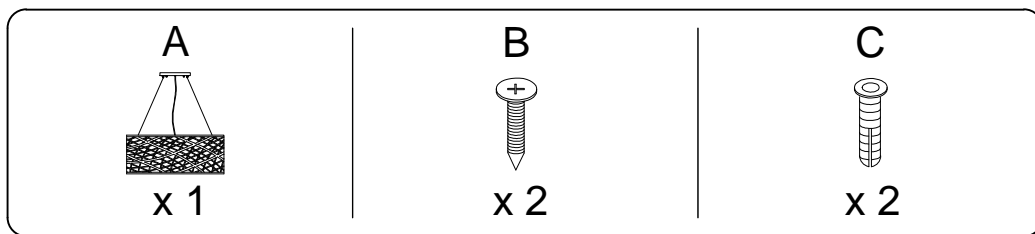
x 2

C



x 2

1



2

