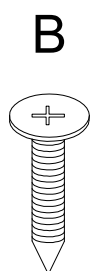
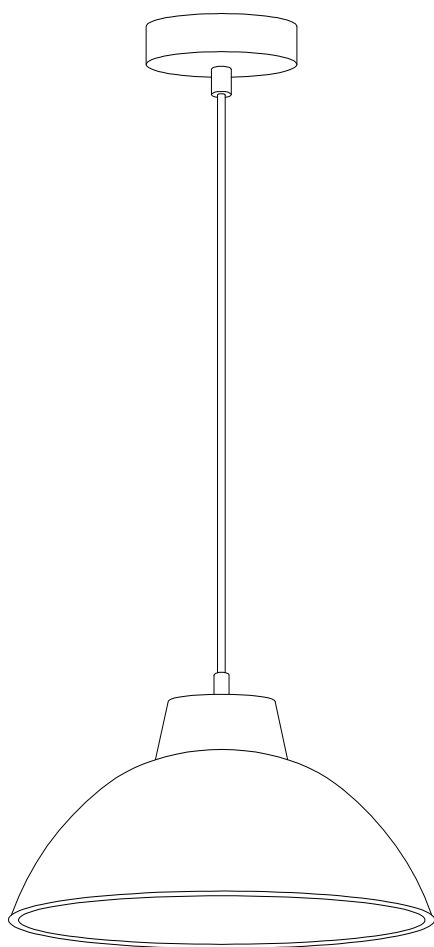
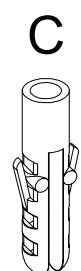


x 1

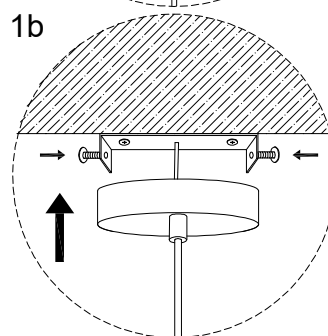
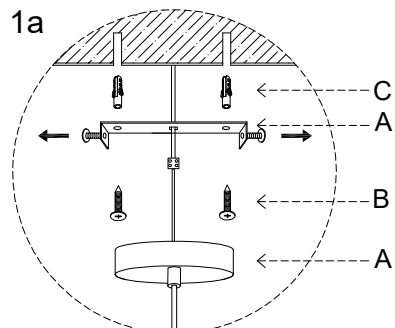
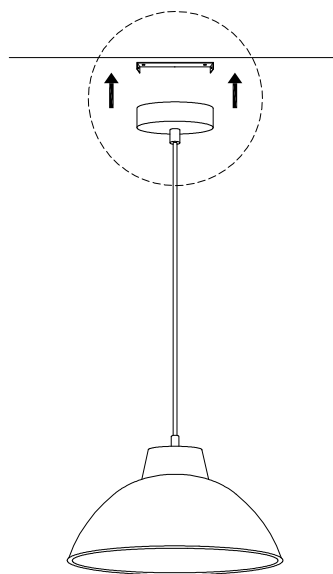
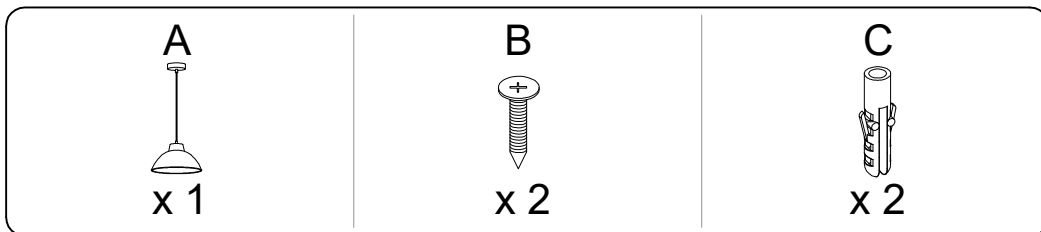


x 2



x 2

1



2

