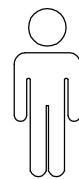
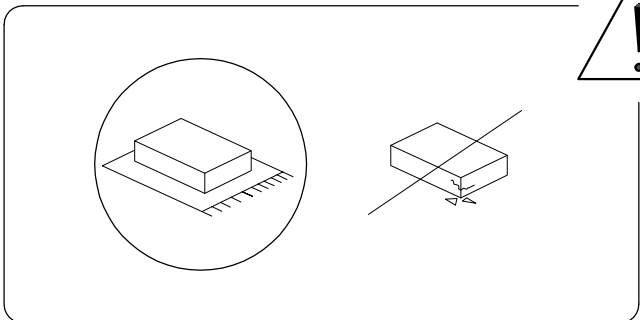
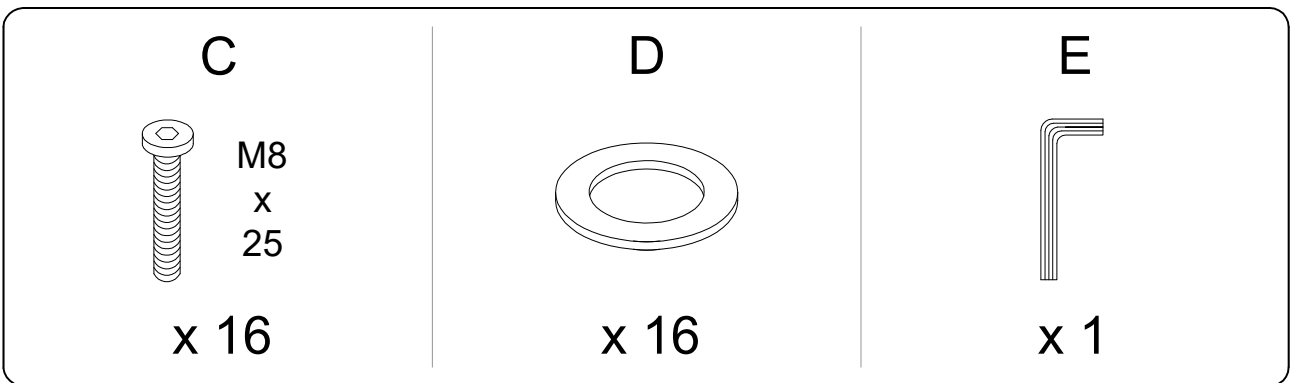
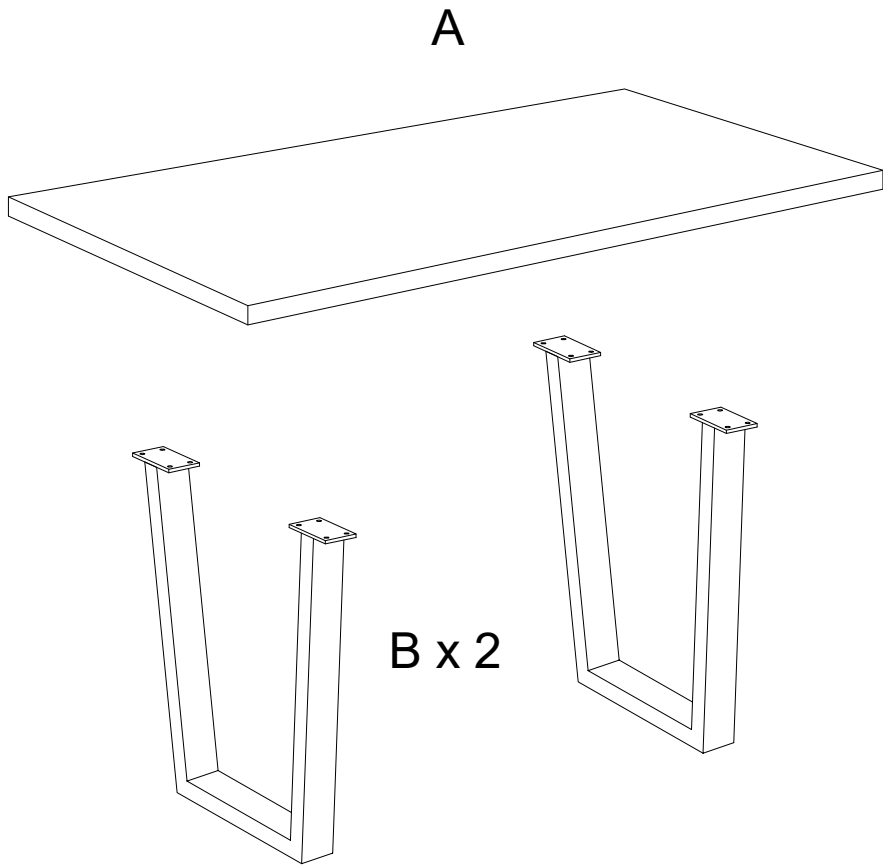
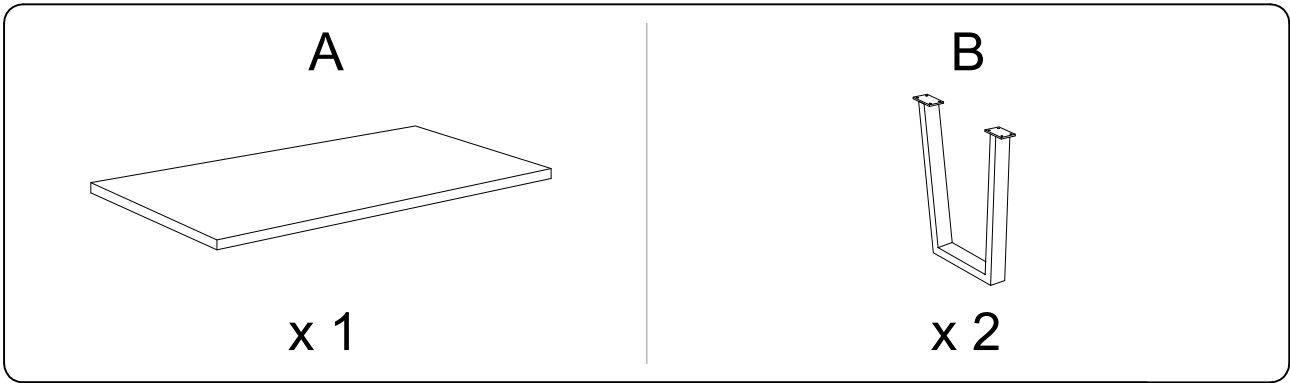


15'


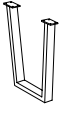
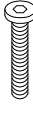
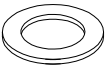
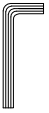


1

1/3



1

<p>A</p>  <p>x 1</p>	<p>B</p>  <p>x 2</p>	<p>C</p>  <p>M8 x 25</p> <p>x 16</p>	<p>D</p>  <p>x 16</p>	<p>E</p>  <p>x 1</p>
---	---	---	--	---

