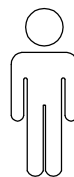
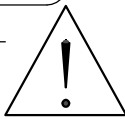
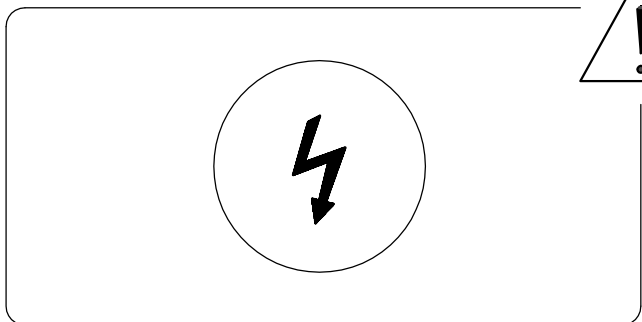
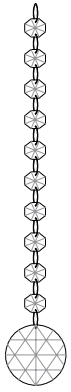


40'



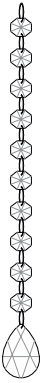
1



A



A1 x 5



B x 6



B1 x 5



C x 5

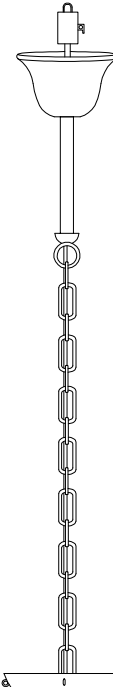


D x 5

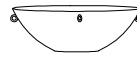
E



F



G x 5



H x 5



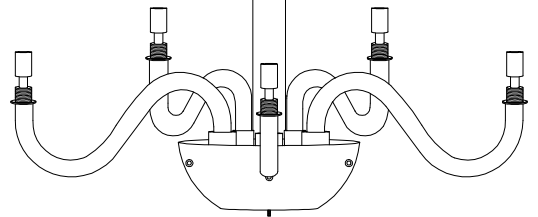
I x 5



J



K



A



x 1

A1



x 5

B



x 6

B1



x 5

C



x 5

D



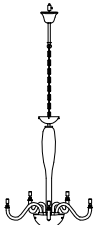
x 5

E



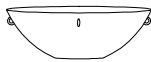
x 1

F



x 1

G



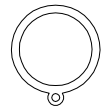
x 5

H



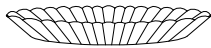
x 5

I



x 5

J



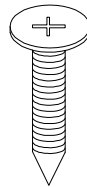
x 1

K



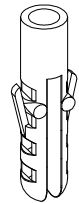
x 1

L



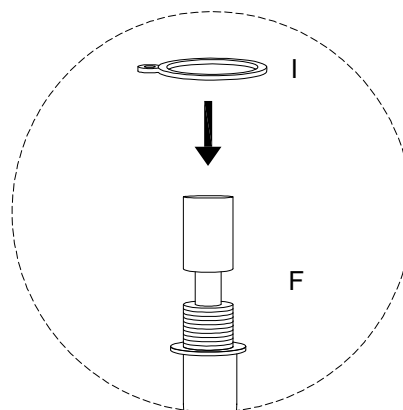
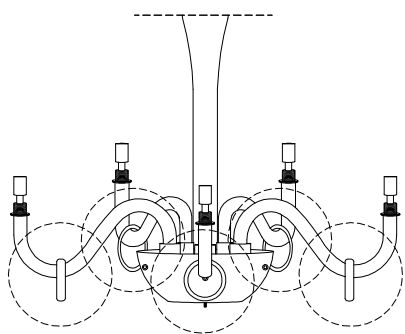
x 2

M

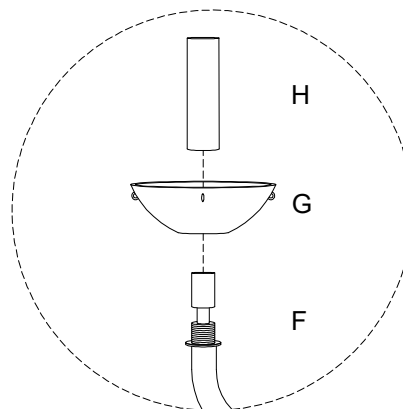
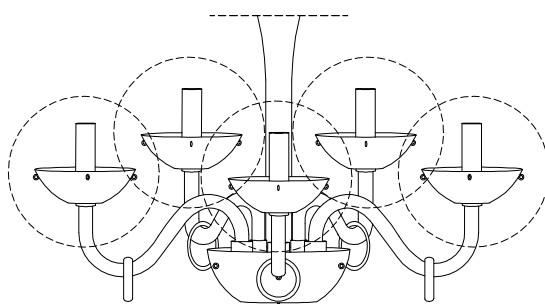
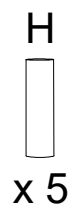
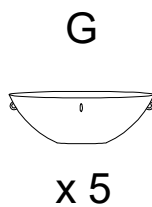


x 2

1



2



3

J

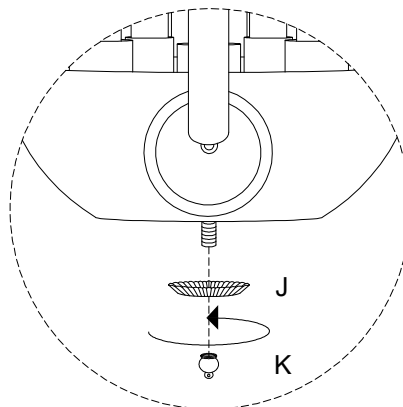
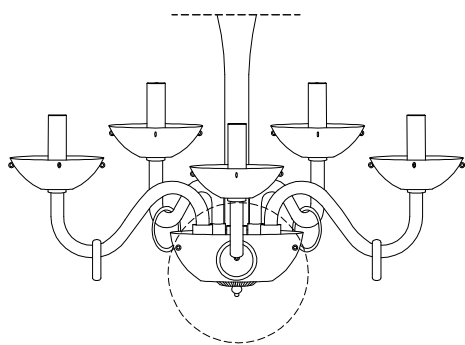


x 1

K

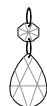


x 1

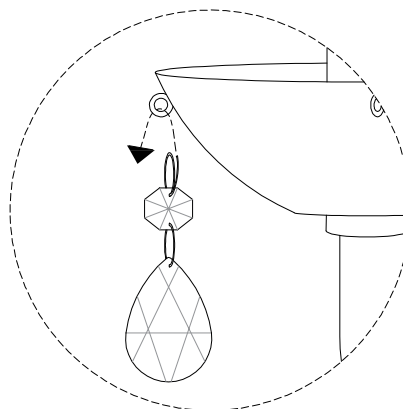
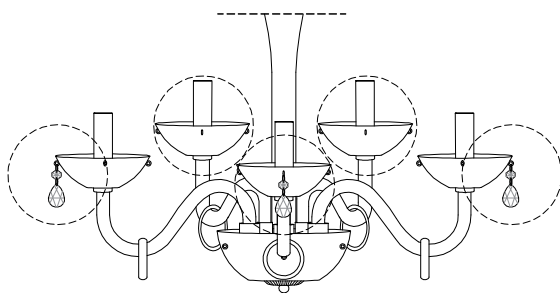


4

A1



x 5

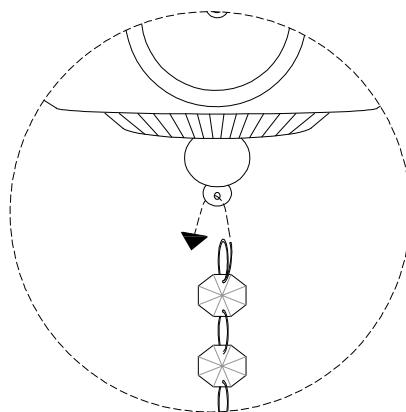
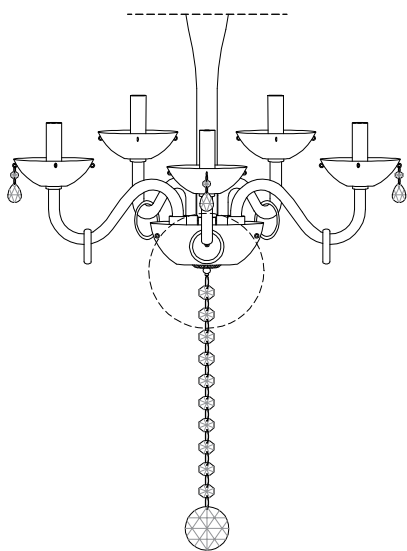


5

A



x 1

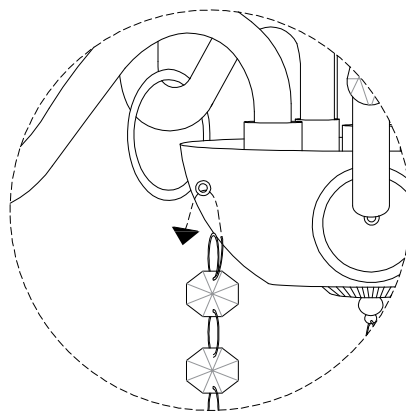
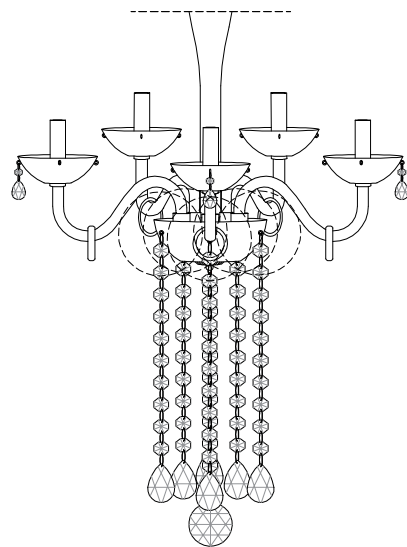


6

B

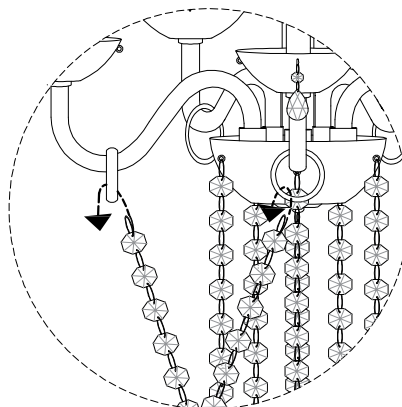
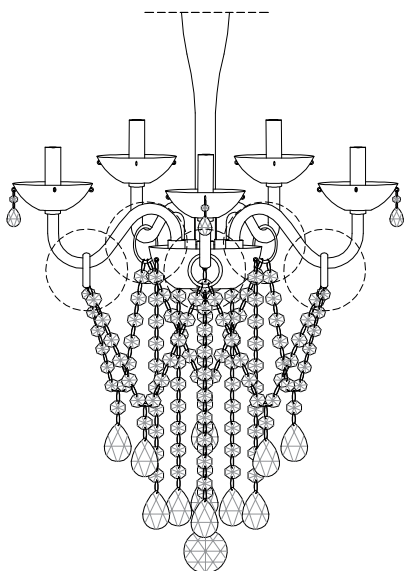


x 6



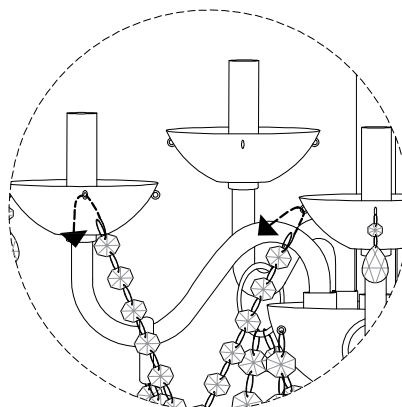
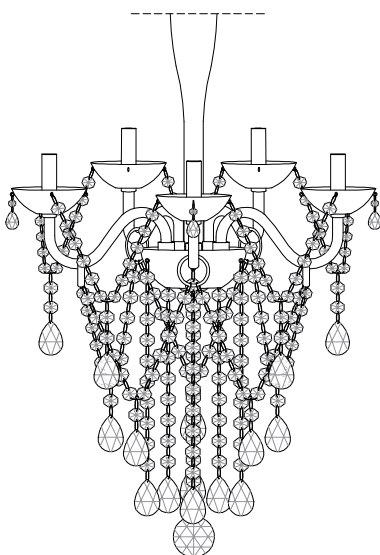
7

C



8

D

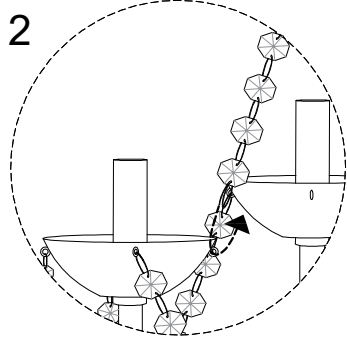
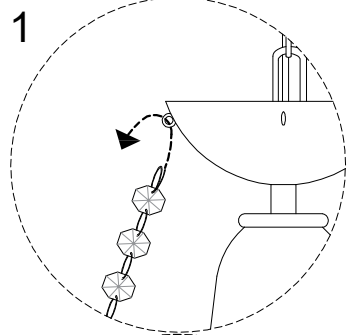
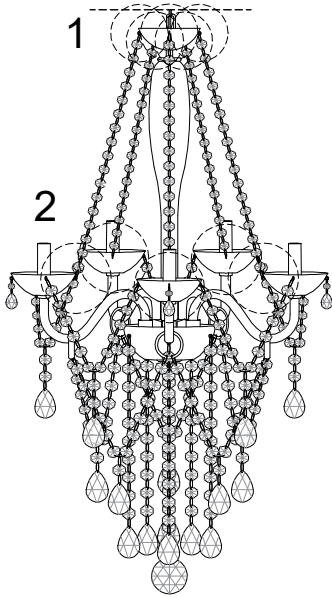


9

B1



x 5



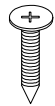
10

E



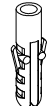
x 1

L



x 2

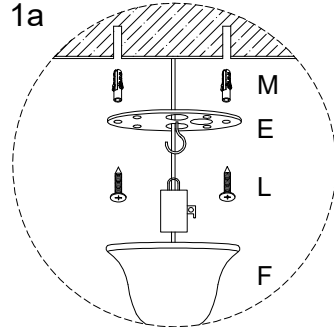
M



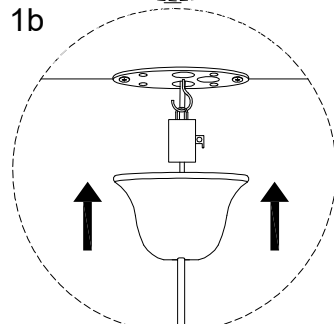
x 2



1a



1b





11

