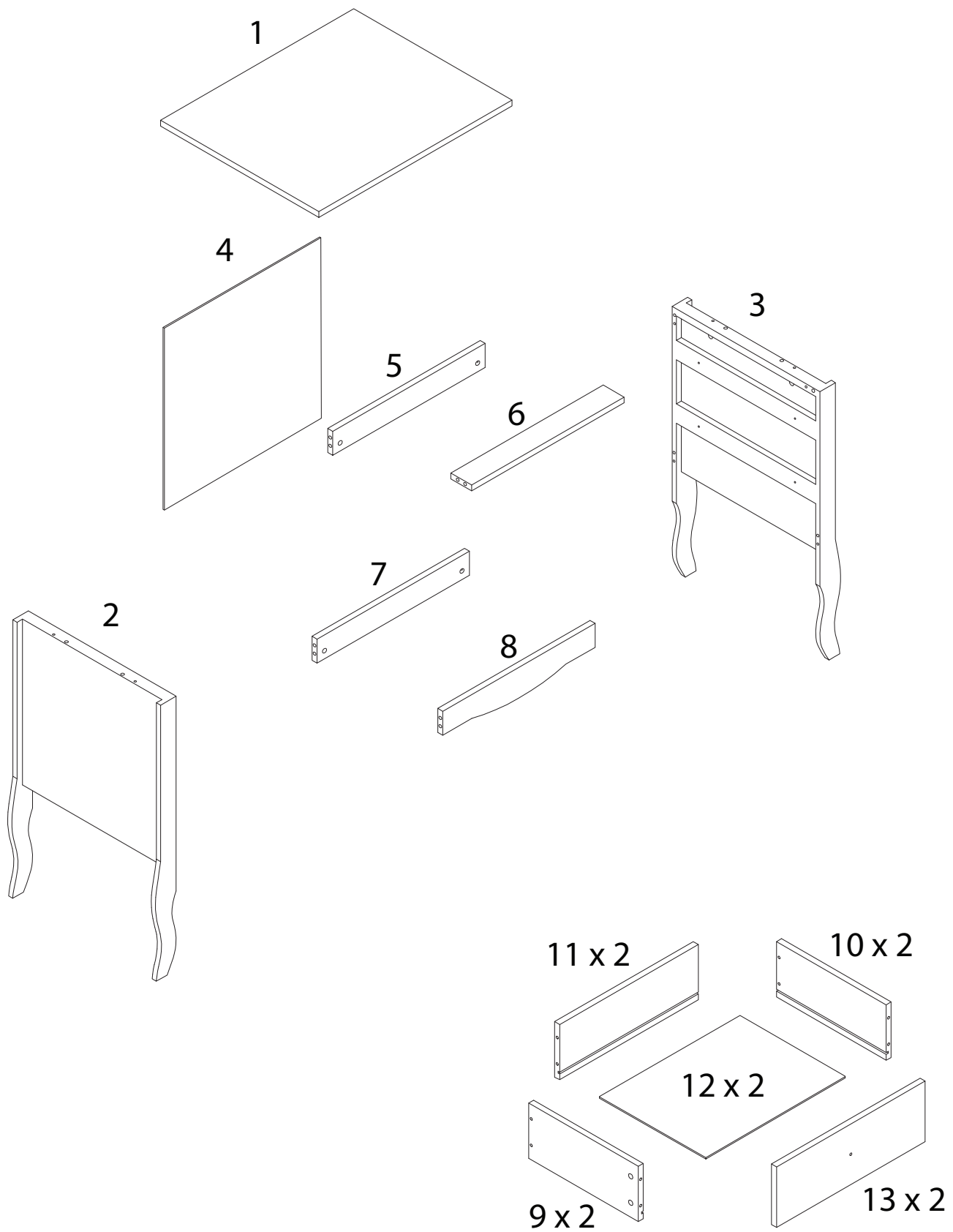
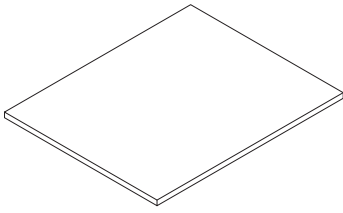


Assembly instructions for step 1/15:

- Top section: Shows a screwdriver and a power drill with a diagonal line through it, indicating that a power drill should not be used. A warning triangle with an exclamation mark is positioned to the right. A clock icon indicates a 35-minute time requirement.
- Bottom section: Shows a block of wood being placed on a surface with a mat and a block of wood being cut with a diagonal line through it, indicating that the wood should not be cut. A warning triangle with an exclamation mark is positioned to the right. A person icon indicates that one person is required for this step.

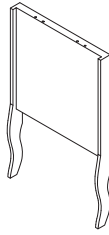


1



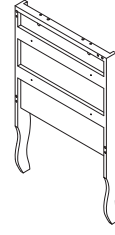
x 1

2



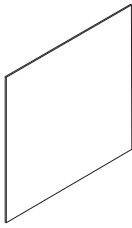
x 1

3



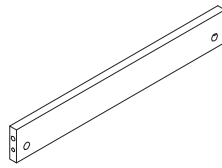
x 1

4



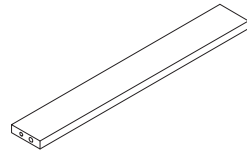
x 1

5



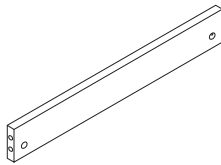
x 1

6



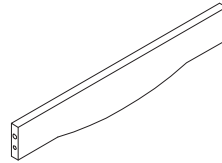
x 1

7



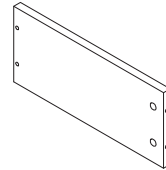
x 1

8



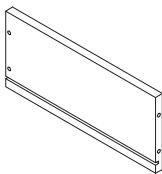
x 1

9



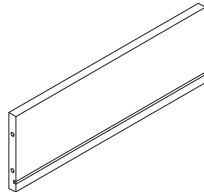
x 2

10



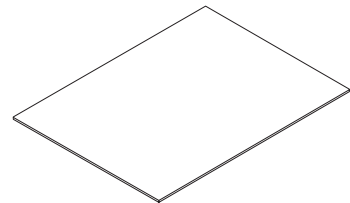
x 2

11



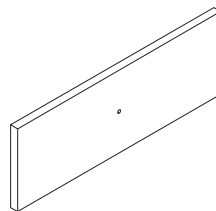
x 2

12



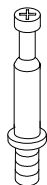
x 2

13



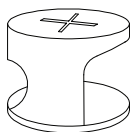
x 2

A



x 20

B



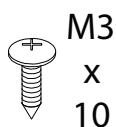
x 20

C



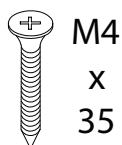
x 12

D



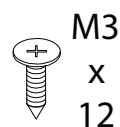
x 12

E



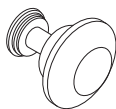
x 8

F



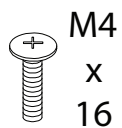
x 16

G



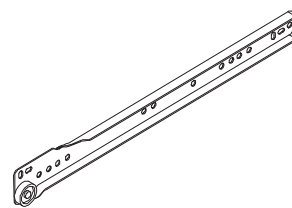
x 2

H



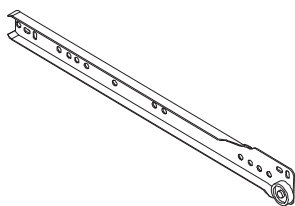
x 2

I



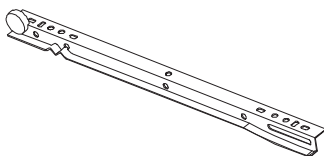
x 2

J



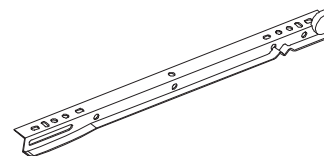
x 2

K



x 2

L



x 2

1

2



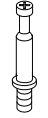
x1

3

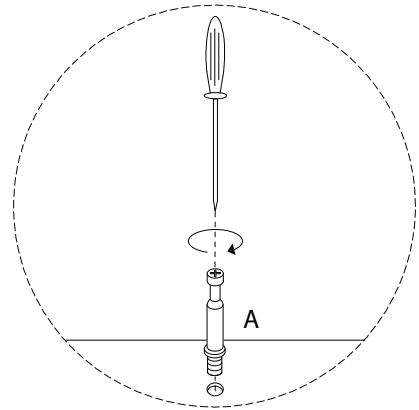
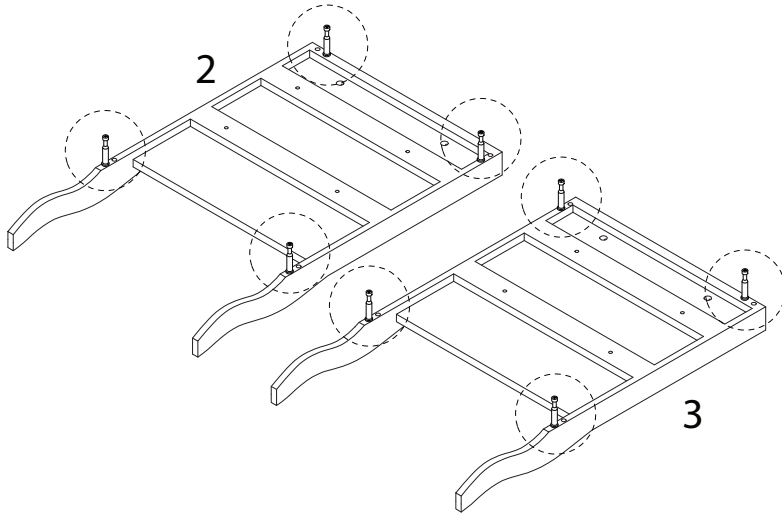


x1

A

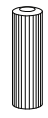


x8

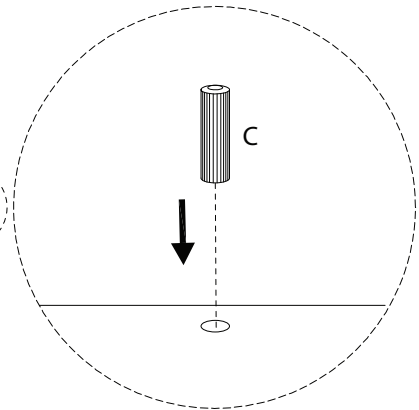
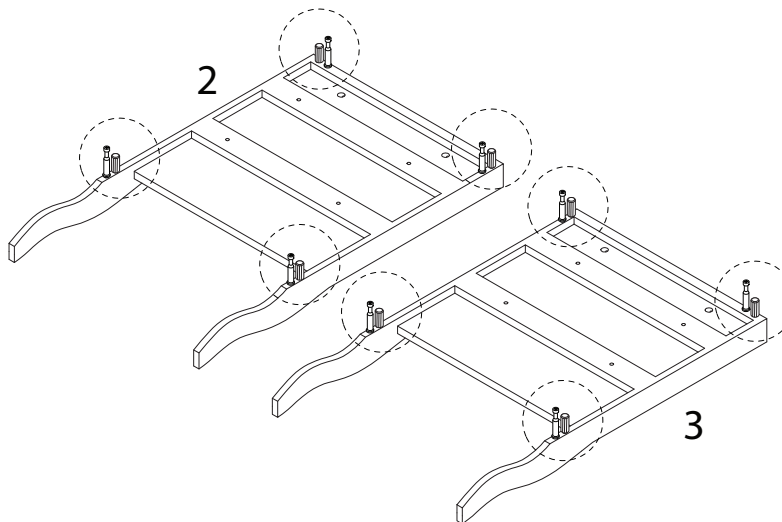


2

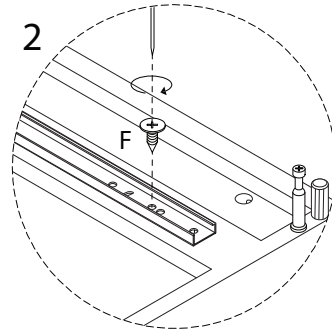
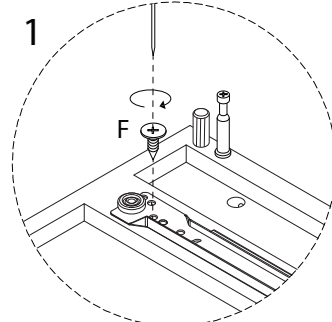
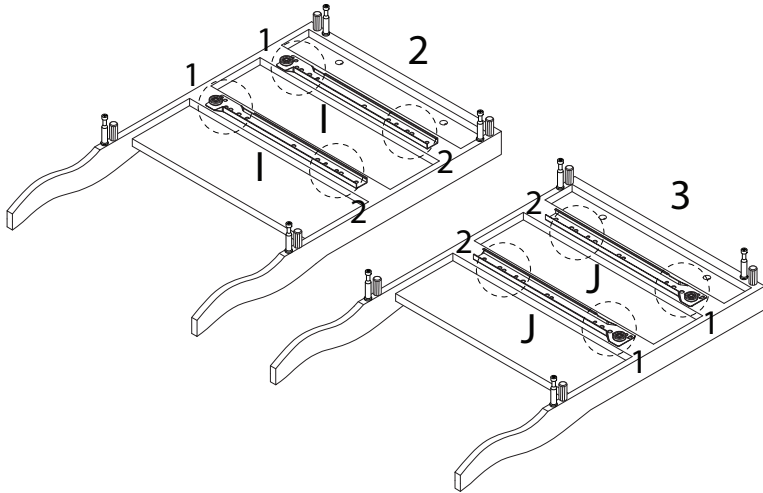
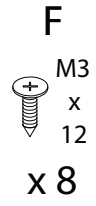
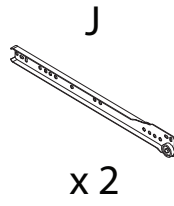
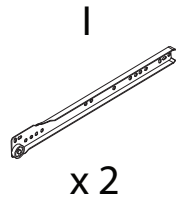
C



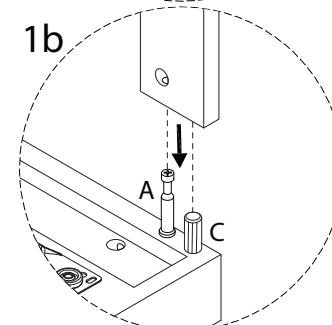
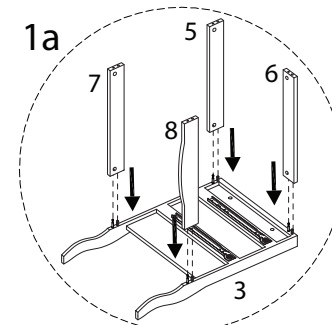
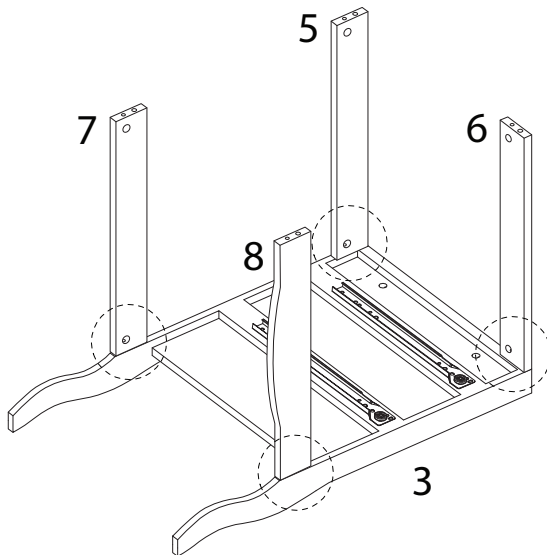
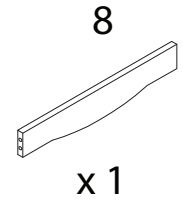
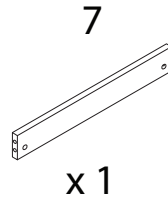
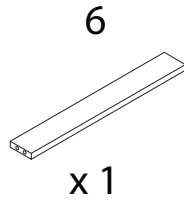
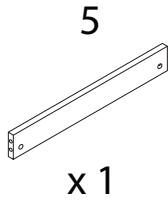
x8



3



4

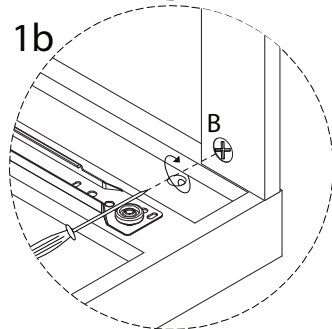
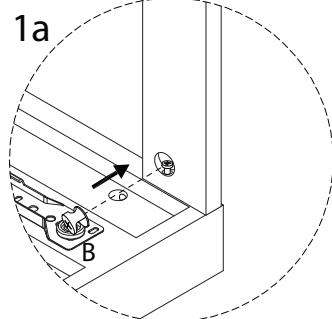
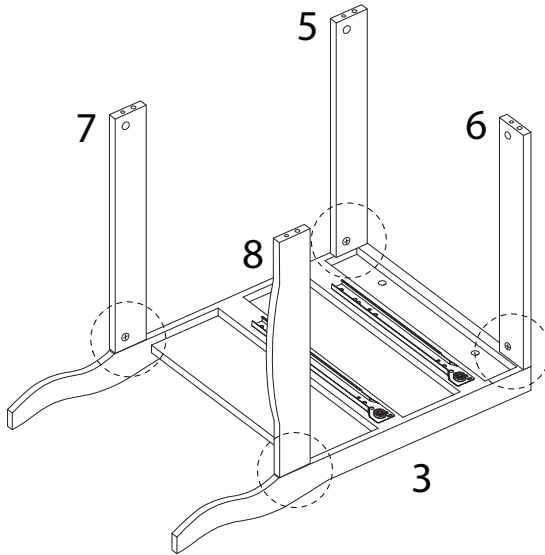


5

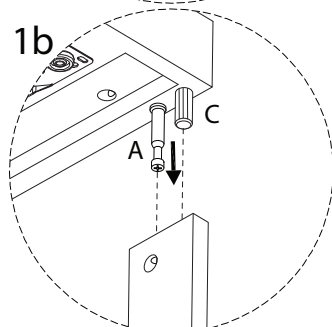
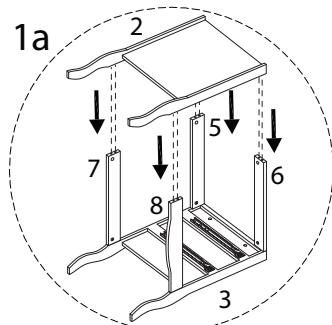
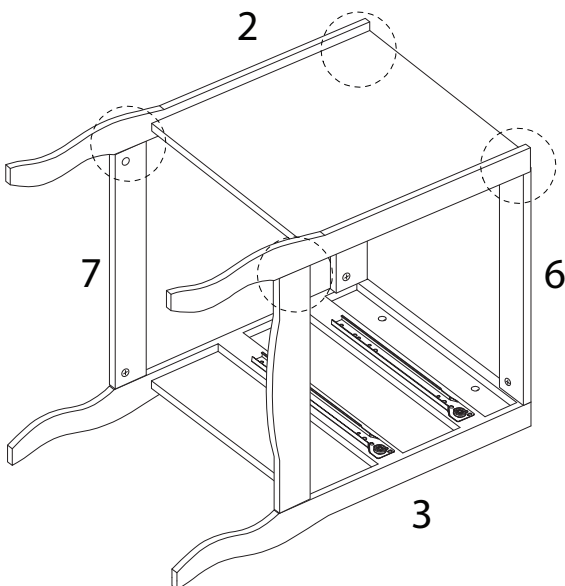
B



x 4



6

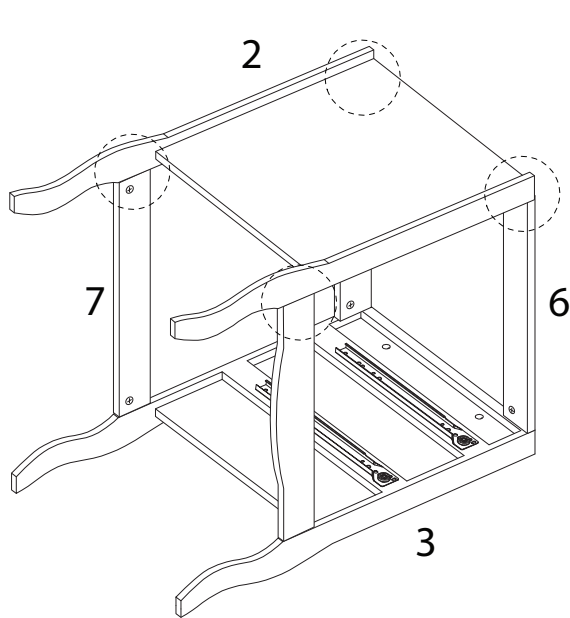


7

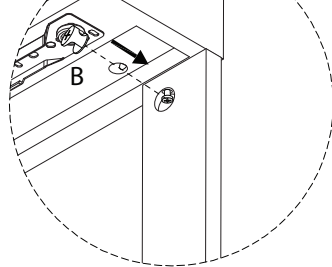
B



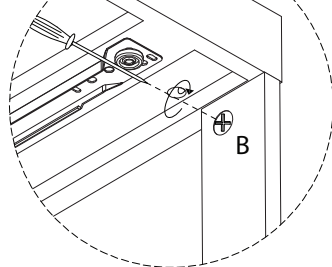
x 4



1a

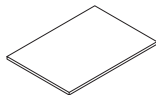


1b



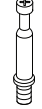
8

1

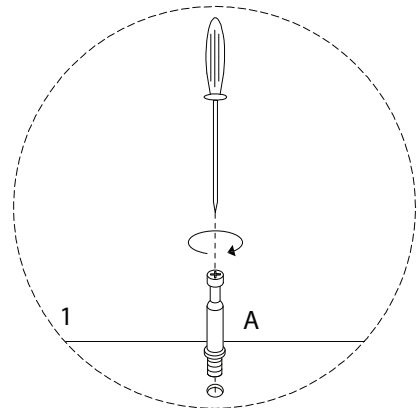
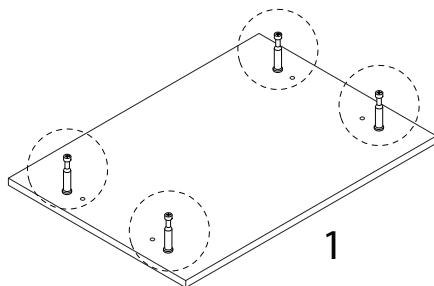


x 1

A

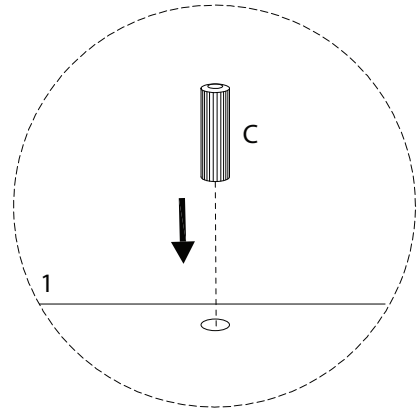
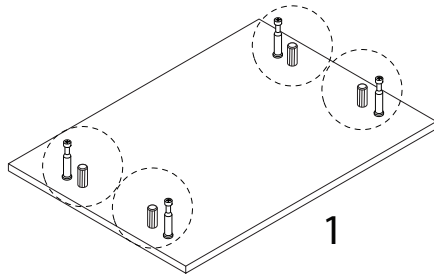


x 4

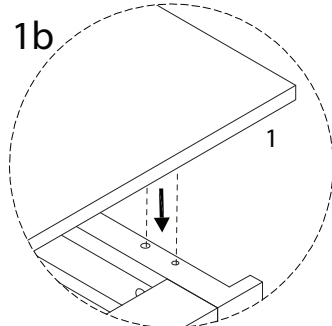
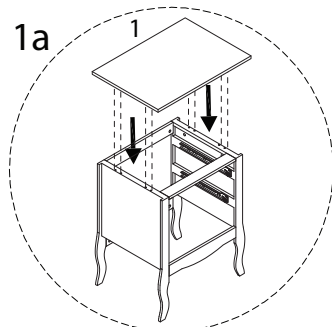
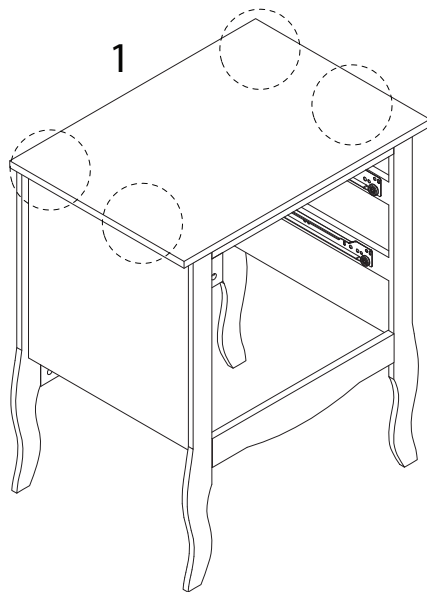


9

C
x 4



10

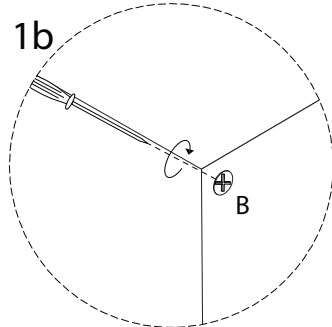
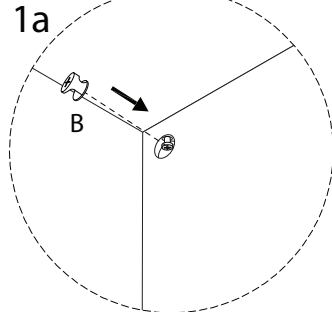
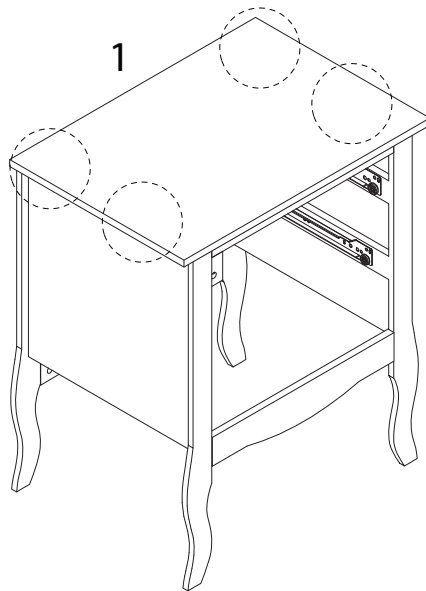


11

B

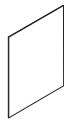


x 4



12

4

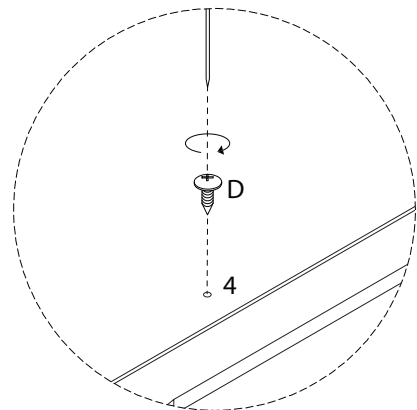
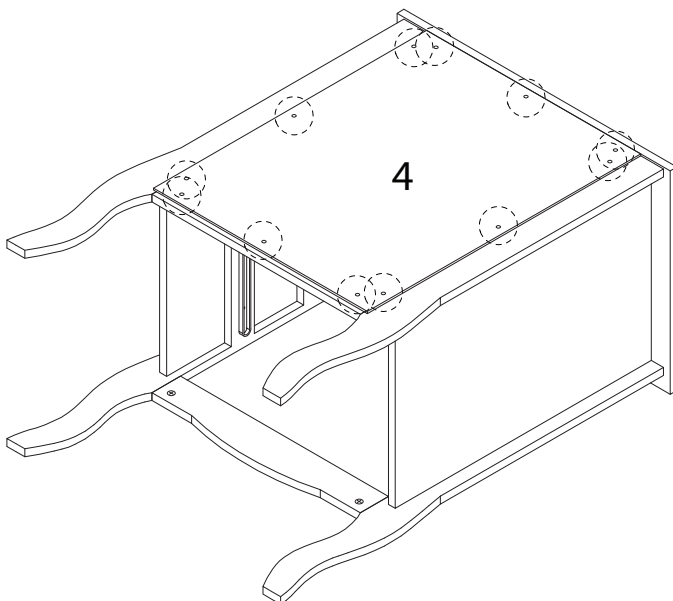


x 1

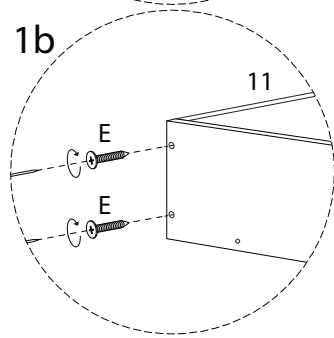
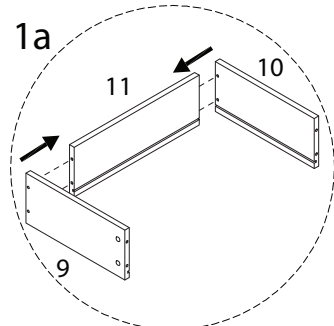
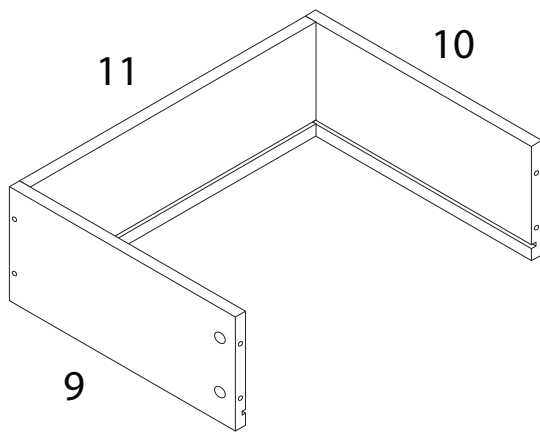
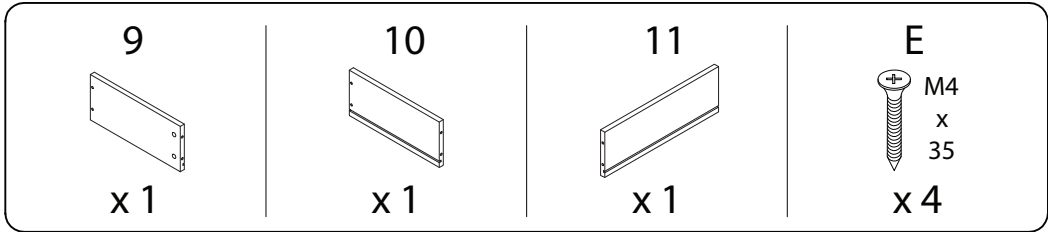
D



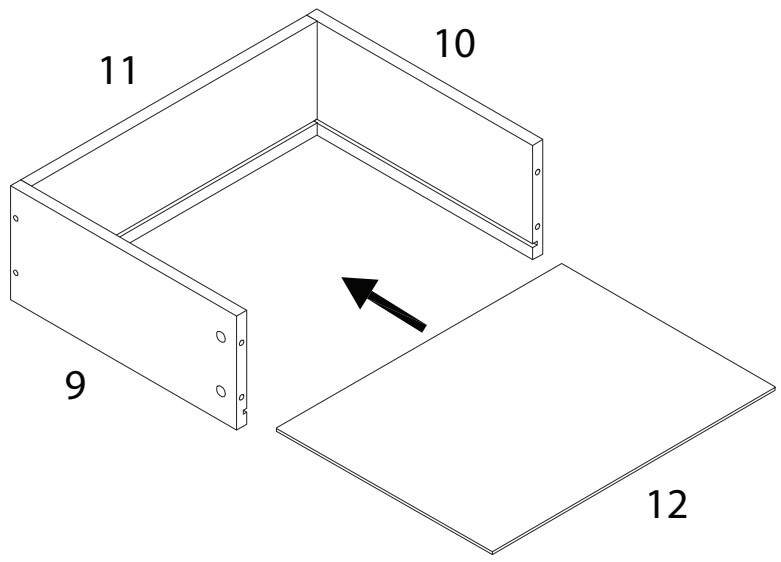
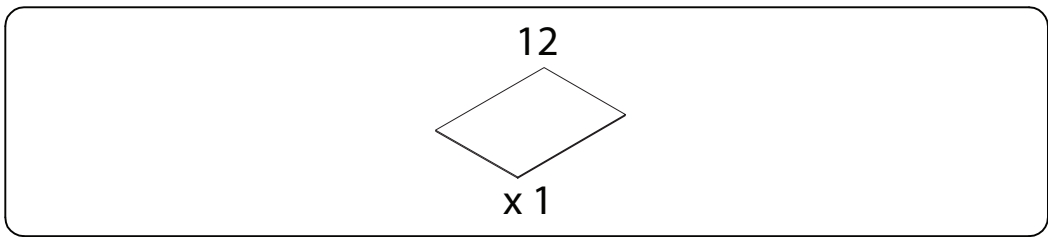
x 12



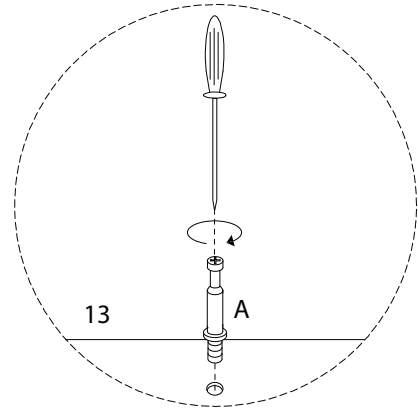
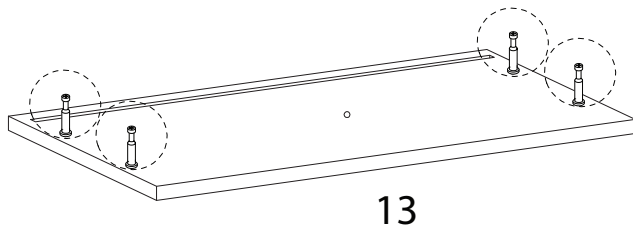
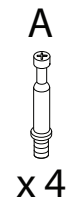
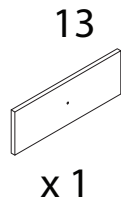
13 x 2



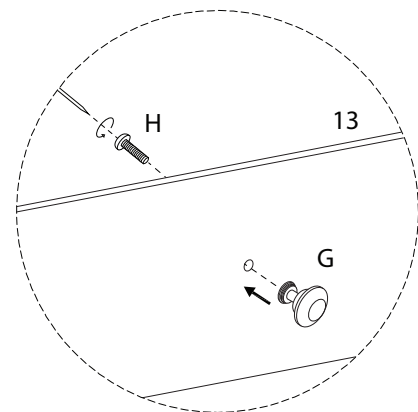
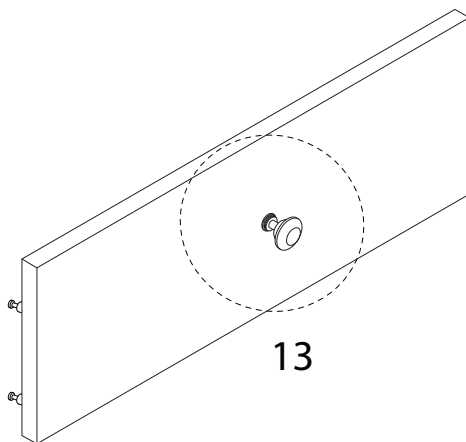
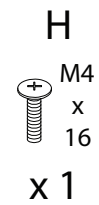
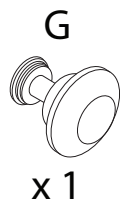
14 x 2



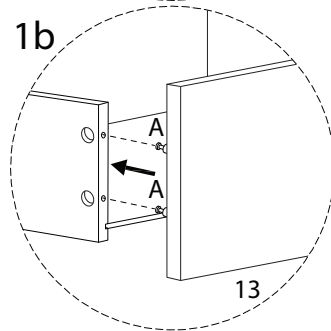
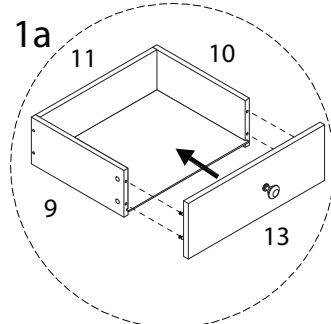
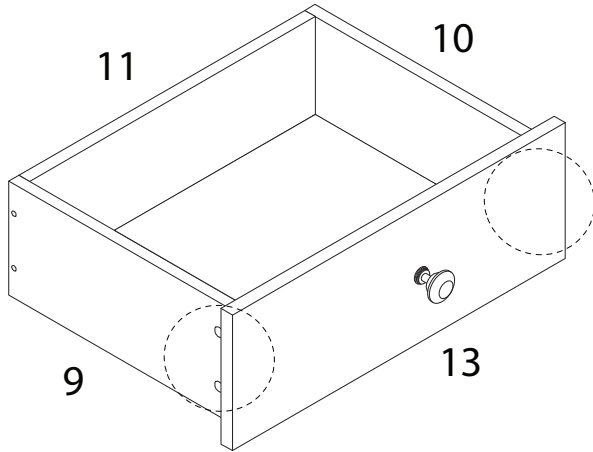
15 x 2



16 x 2



17 x 2

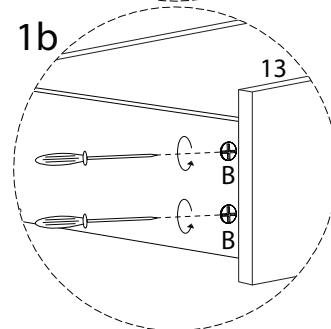
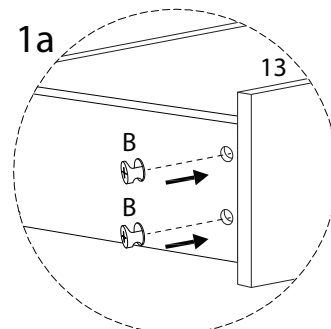
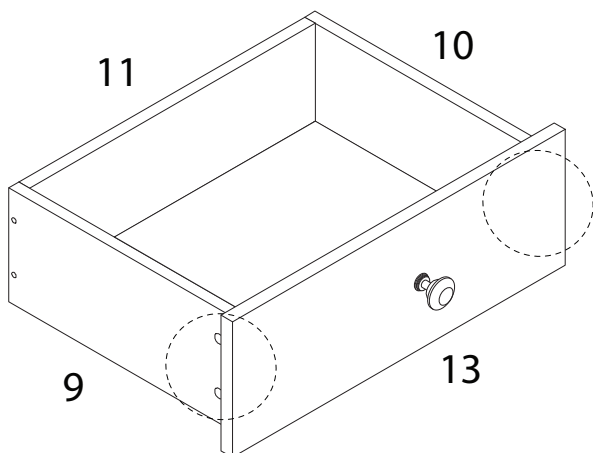


18 x 2

B



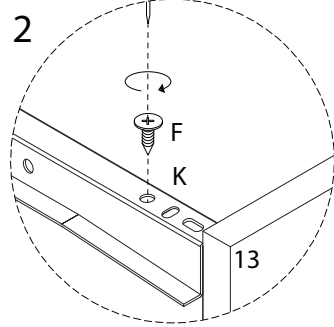
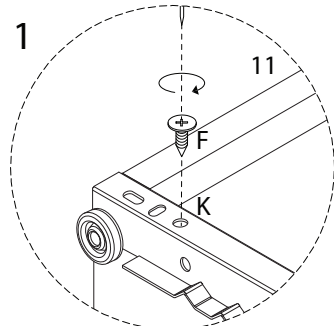
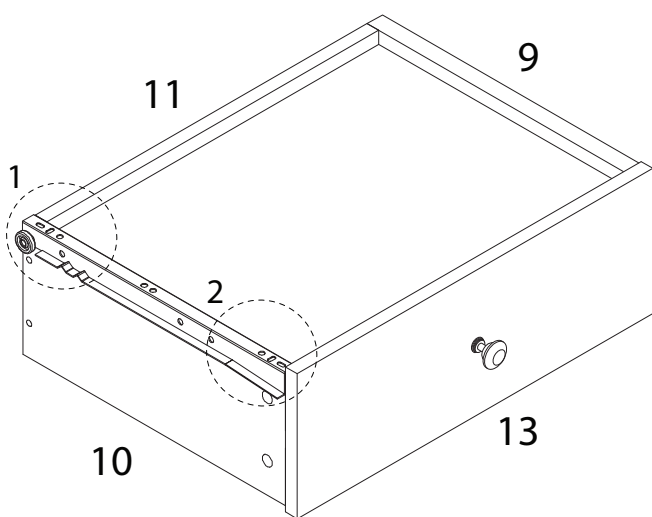
x 4



19 x 2

F
M3
x
12
x 2

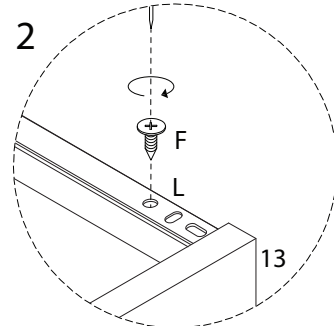
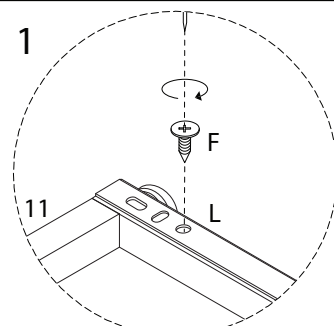
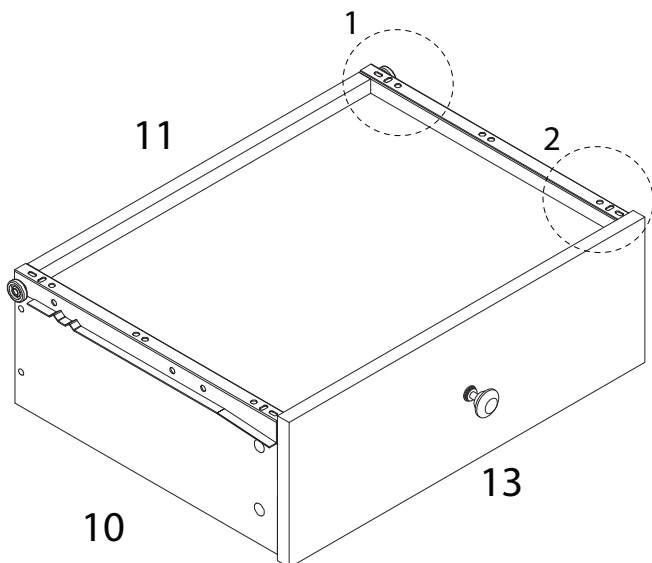
K
x 1



20 x 2

F
M3
x
12
x 2

L
x 1



21

