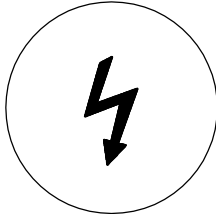



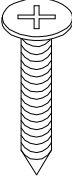
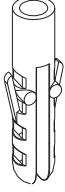


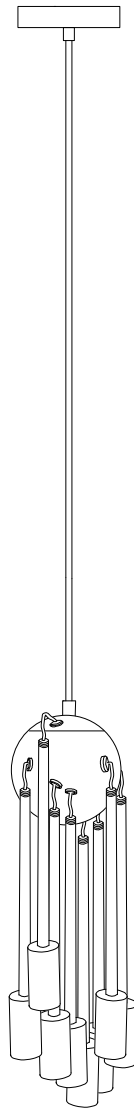

		<b>15'</b>
		
		<b>1</b>

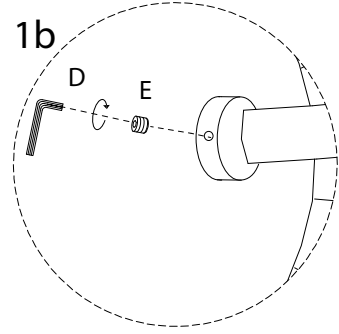
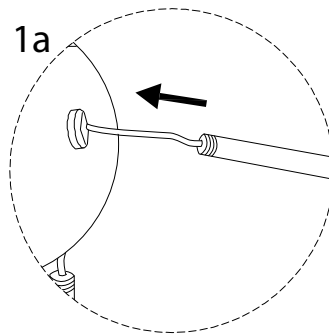
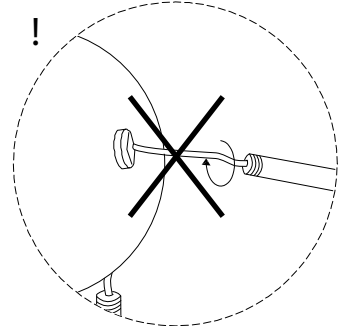
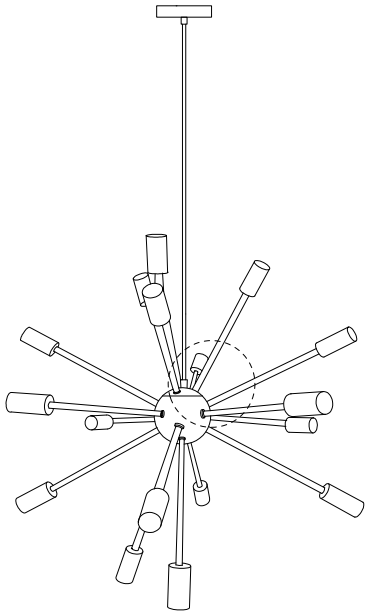
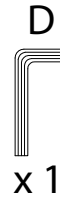
1/4

<p>A</p>  <p>x 1</p>	<p>B</p>  <p>x 2</p>	<p>C</p>  <p>x 2</p>	<p>D</p>  <p>x 1</p>	<p>E</p>  <p>x 18</p>
---	---	---	---	--

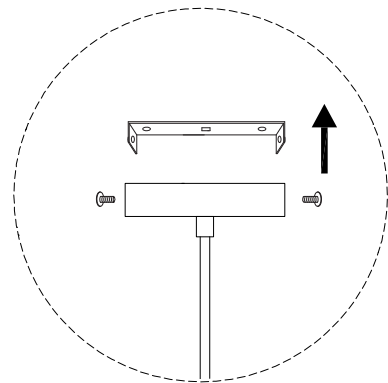
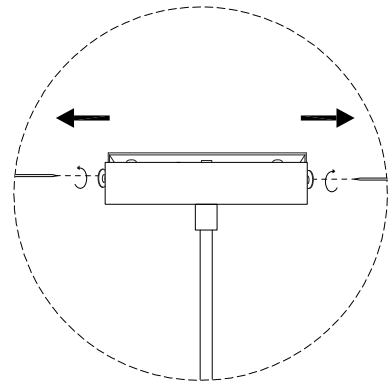
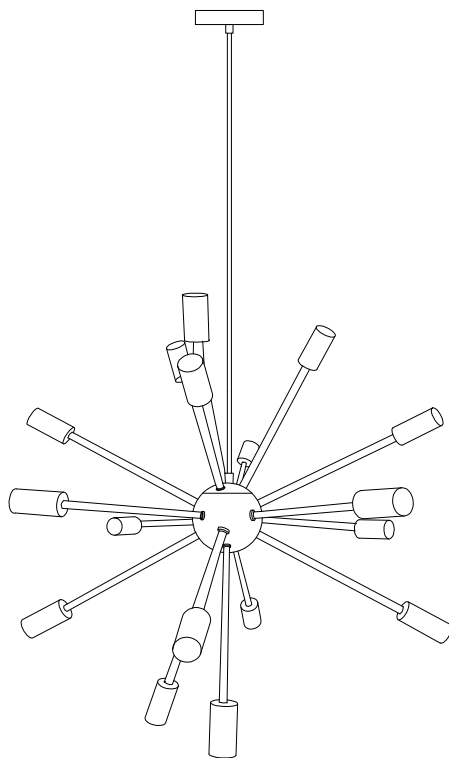
A



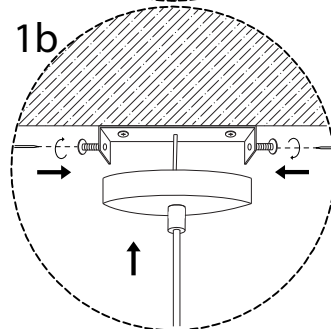
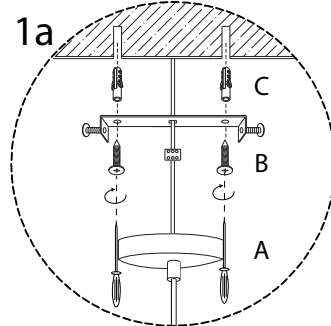
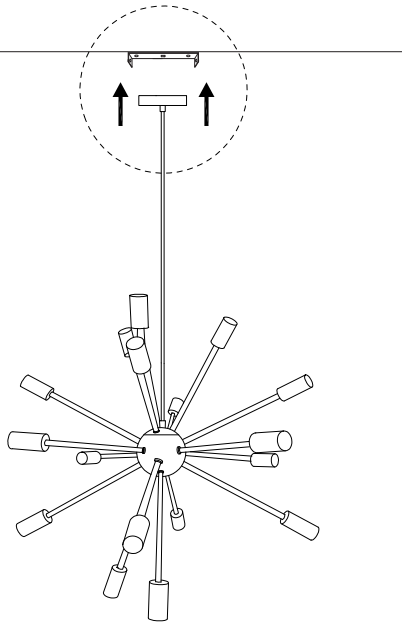
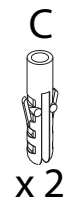
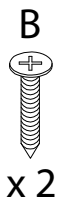
1



2



3



4

