



Assembly instructions for the cart, including tool requirements, estimated time, and personnel needed.

**Tools:** A circle containing a screwdriver and an Allen key, with a crossed-out power drill icon next to it, indicating that a power drill is not required.

**Time:** A clock icon with the text "45'" below it, indicating an estimated assembly time of 45 minutes.

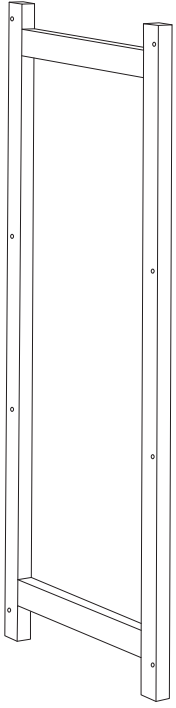
**Personnel:** A person icon with the number "2" below it, indicating that two people are required for assembly.

**Warnings:** Two warning triangles (exclamation marks) are present. The first is connected to the tool requirements, and the second is connected to the personnel requirement.

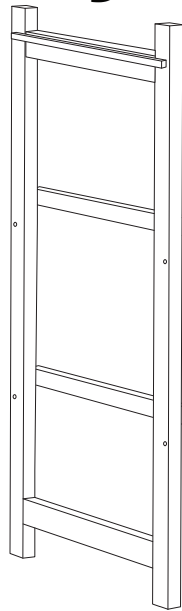
A



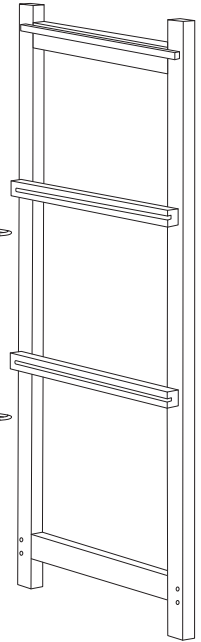
B



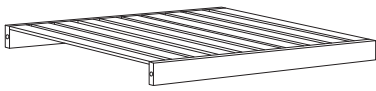
D



C



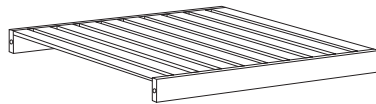
F



b



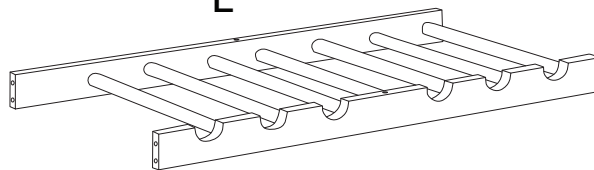
F



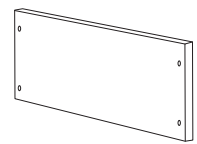
b



E



J



K



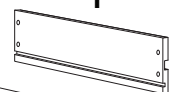
I



K



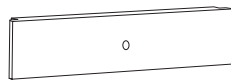
I



H



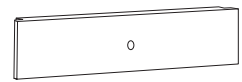
G



H



G



A



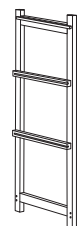
x 1

B



x 1

C

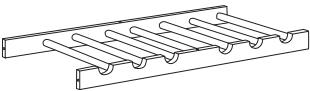

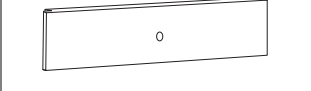

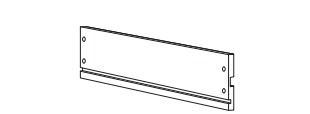
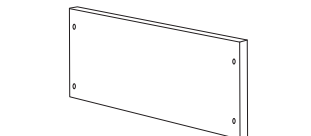

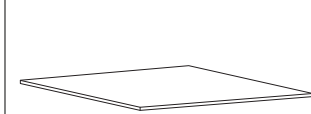
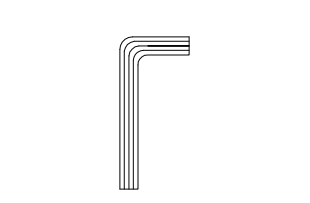
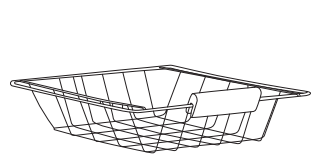
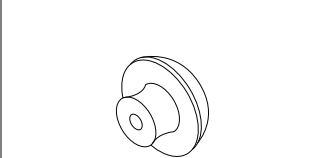
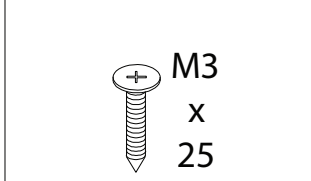
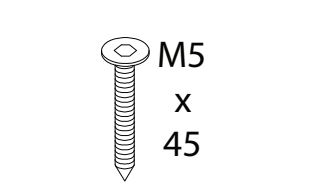
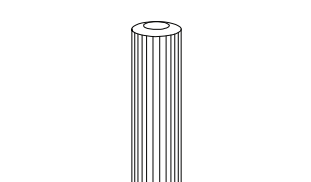
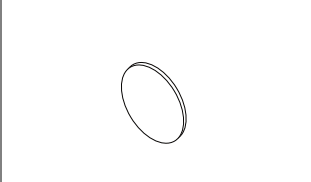
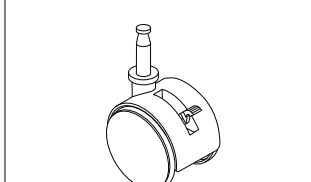
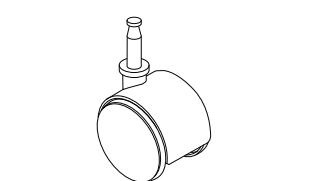
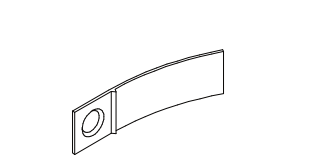
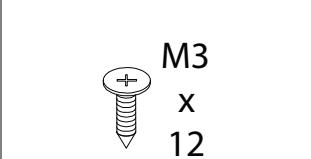
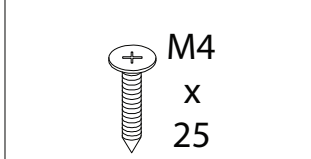


x 1

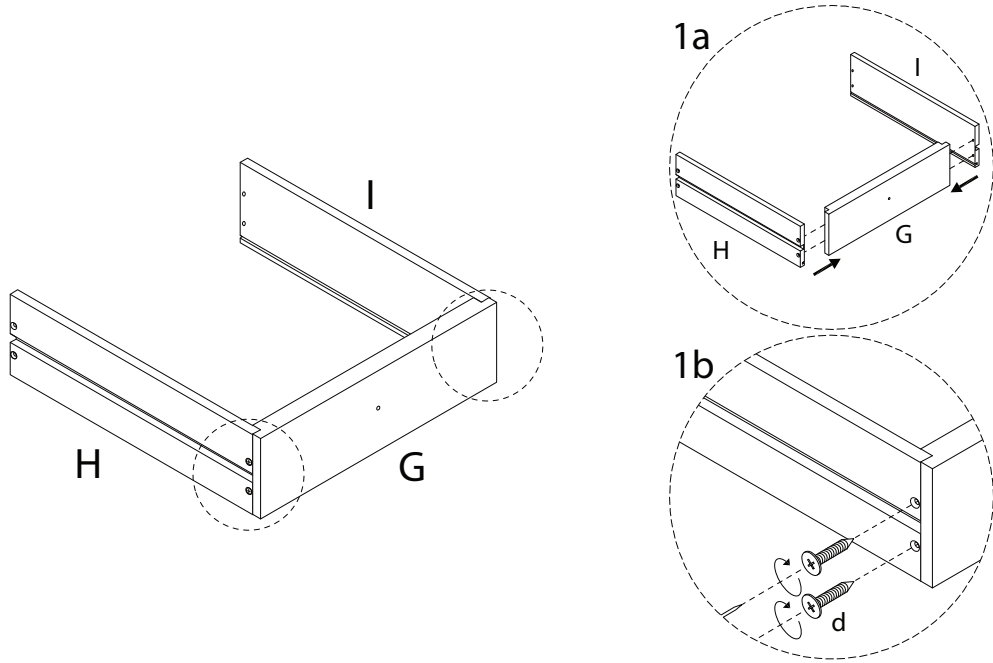
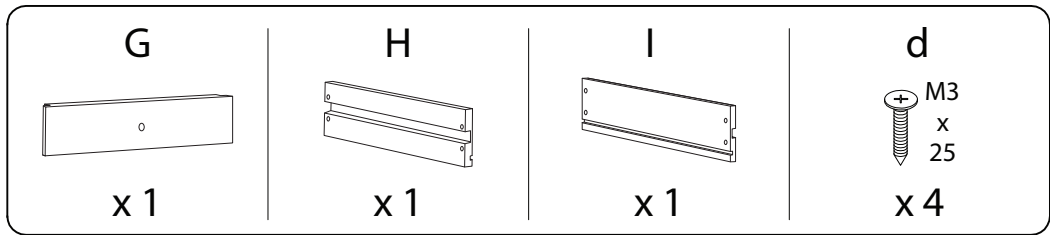
D



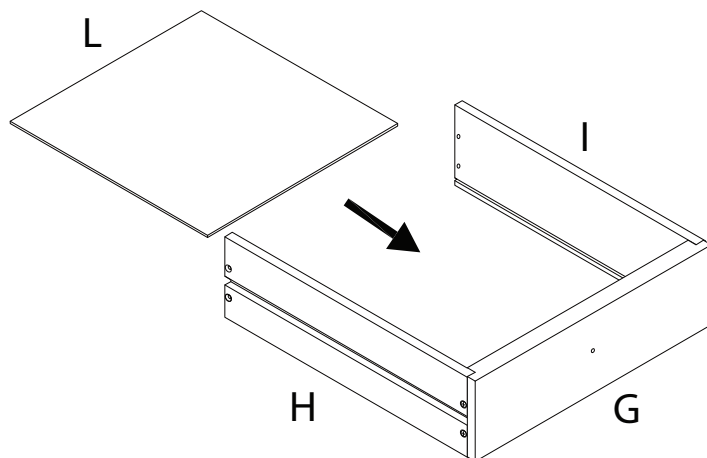
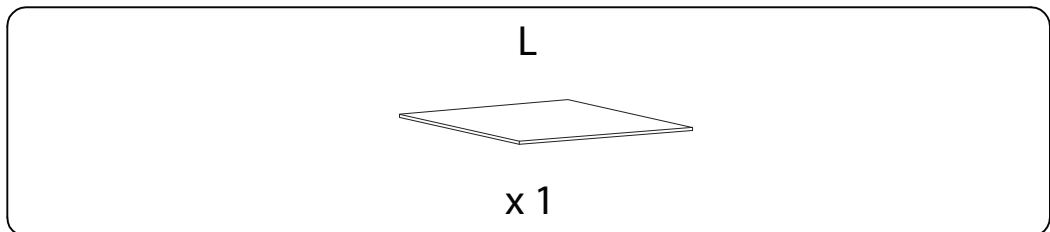
x 1

<p><b>E</b></p>  <p>x 1</p>	<p><b>F</b></p>  <p>x 2</p>	<p><b>G</b></p>  <p>x 2</p>	<p><b>H</b></p>  <p>x 2</p>
<p><b>I</b></p>  <p>x 2</p>	<p><b>J</b></p>  <p>x 1</p>	<p><b>K</b></p>  <p>x 2</p>	<p><b>L</b></p>  <p>x 2</p>
<p><b>a</b></p>  <p>x 1</p>	<p><b>b</b></p>  <p>x 2</p>	<p><b>c</b></p>  <p>x 2</p>	<p><b>d</b></p>  <p>M3 x 25</p> <p>x 20</p>
<p><b>e</b></p>  <p>M5 x 45</p> <p>x 18</p>	<p><b>f</b></p>  <p>x 6</p>	<p><b>g</b></p>  <p>x 12</p>	<p><b>h</b></p>  <p>x 2</p>
<p><b>i</b></p>  <p>x 2</p>	<p><b>j</b></p>  <p>x 2</p>	<p><b>k</b></p>  <p>M3 x 12</p> <p>x 2</p>	<p><b>l</b></p>  <p>M4 x 25</p> <p>x 2</p>

1 x 2



2 x 2



3 x 2

K

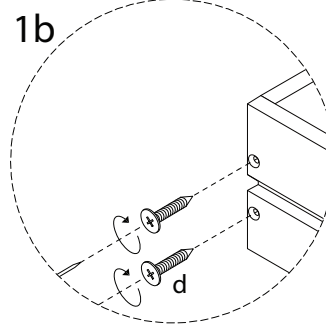
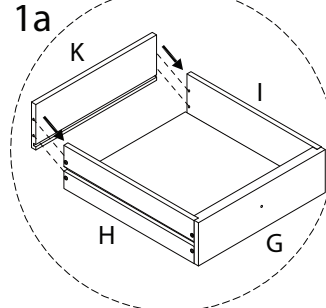
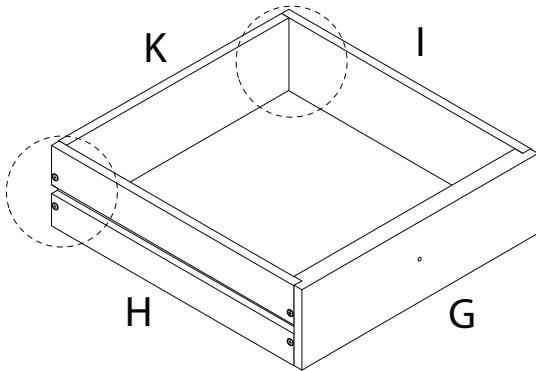


x 1

d



x 4



4 x 2

c

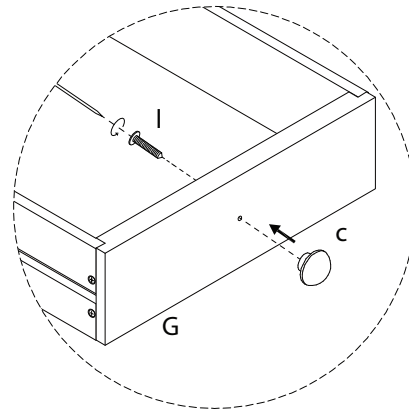
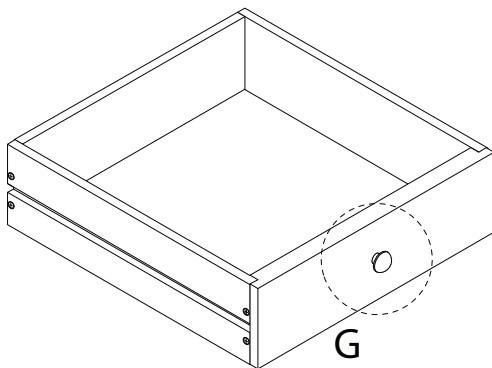


x 1

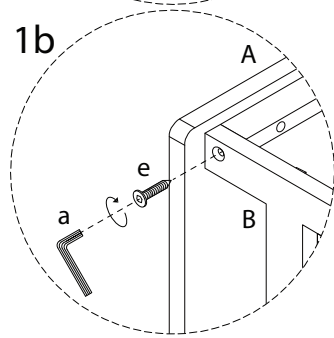
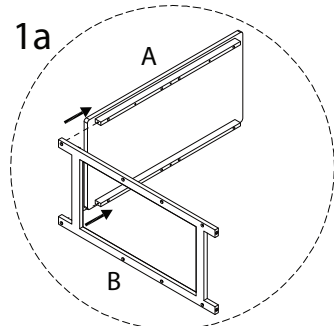
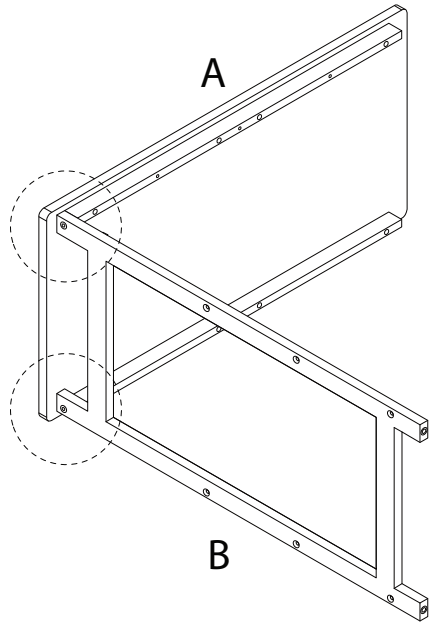
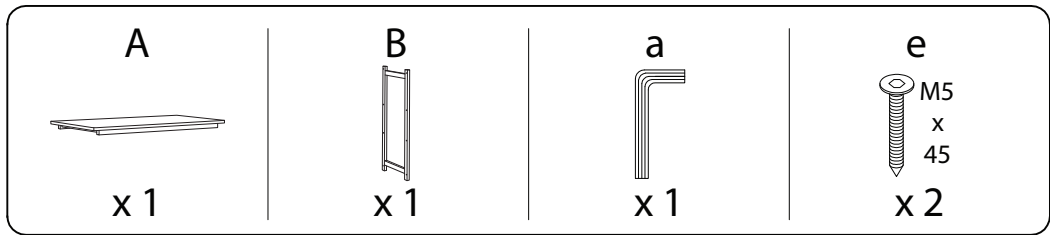
l



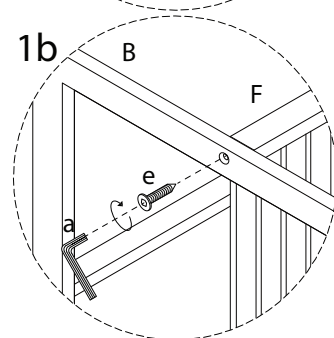
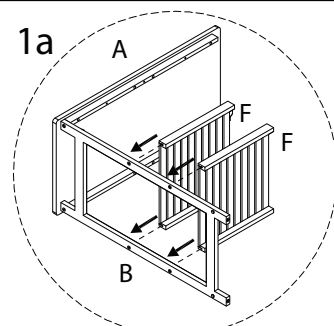
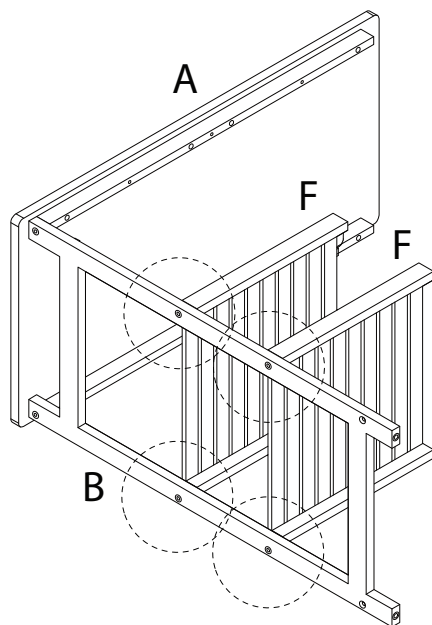
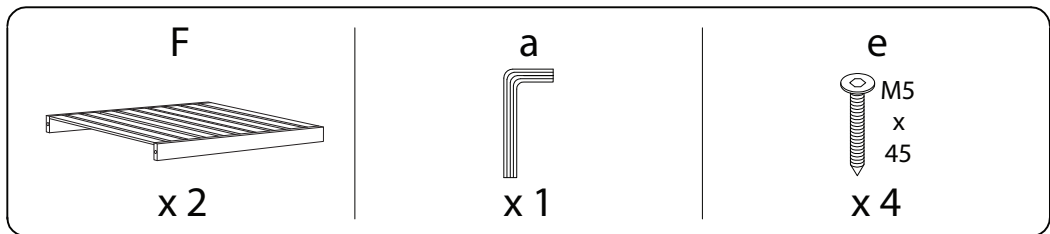
x 1



5

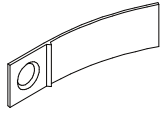


6



7

j

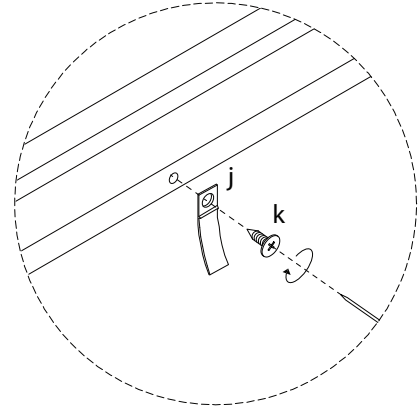
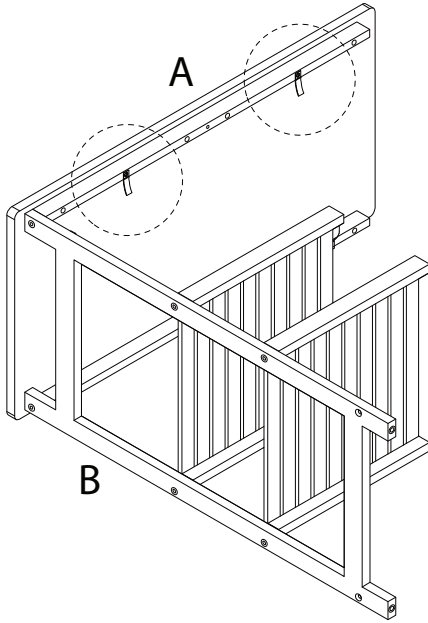


x 2

k



x 2



8

D

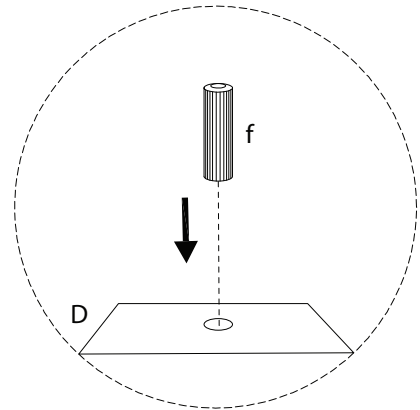
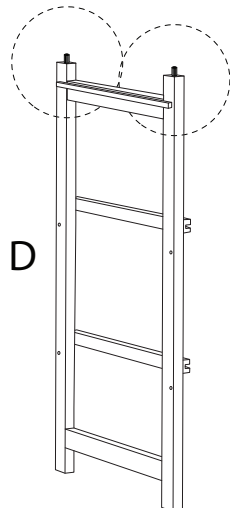


x 1

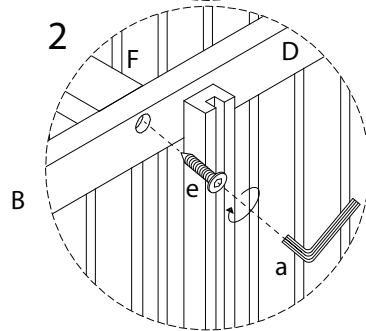
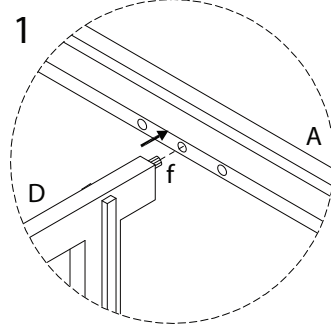
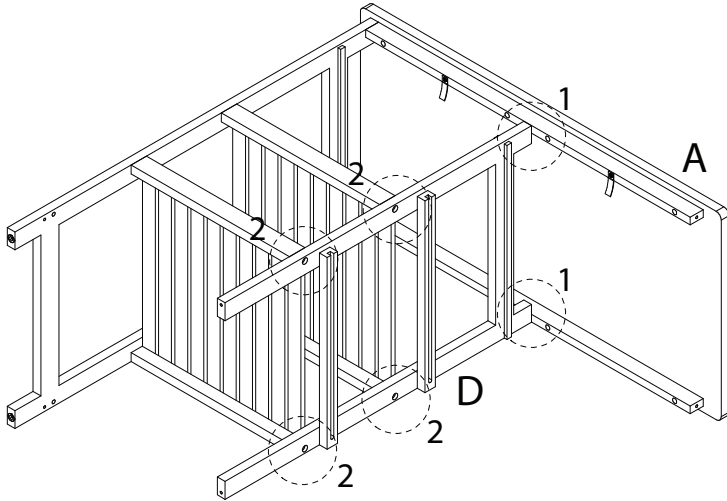
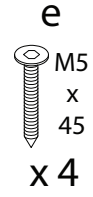
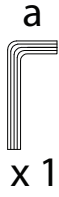
f



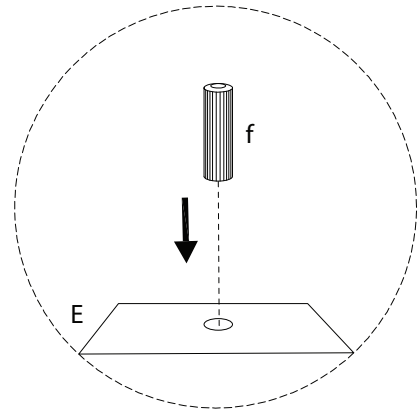
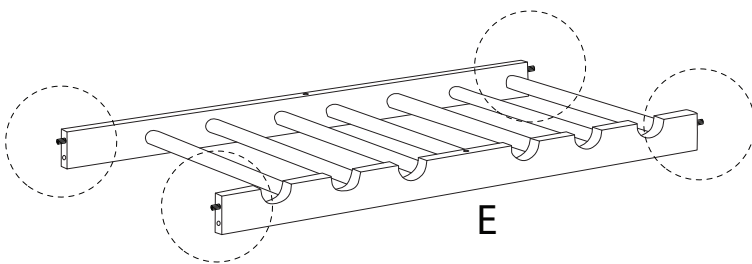
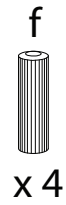
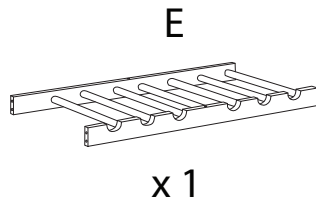
x 2



9

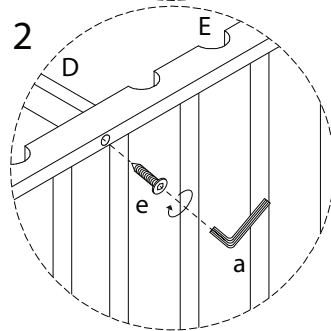
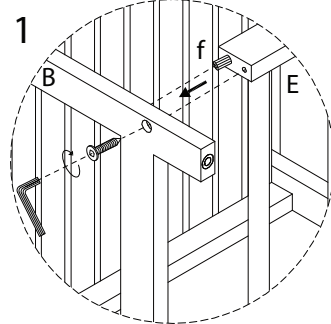
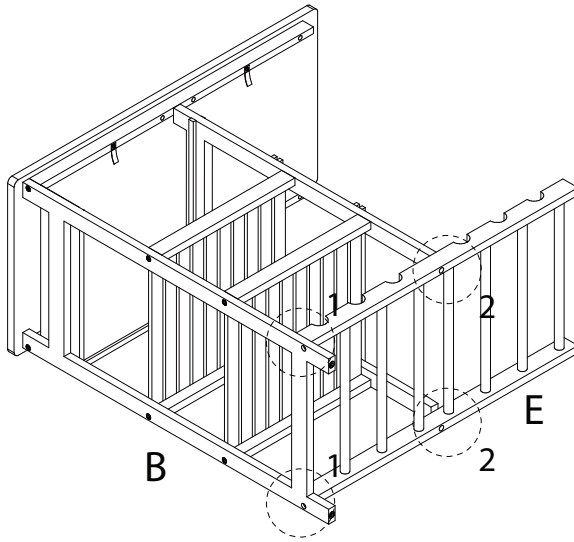
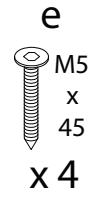
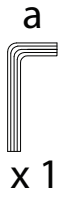


10

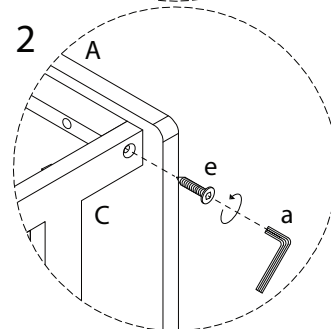
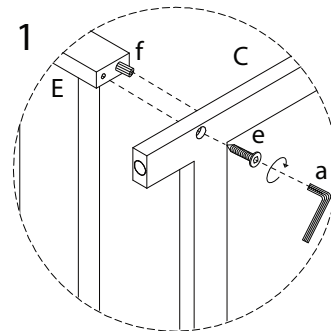
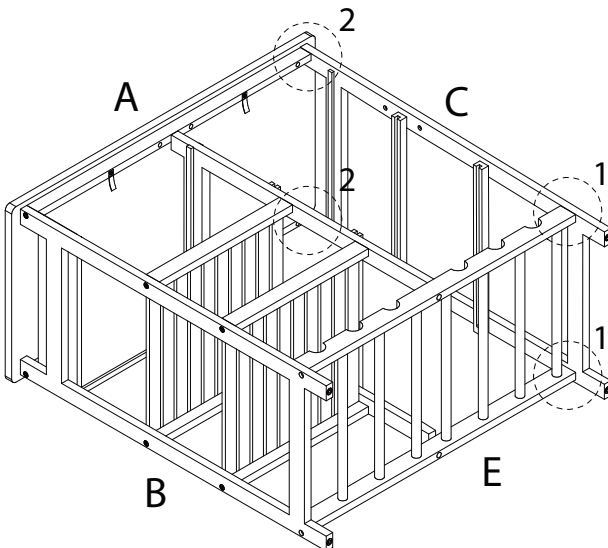
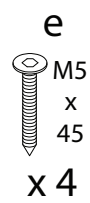
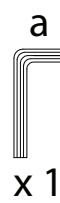




11

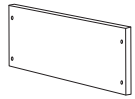


12



13

J

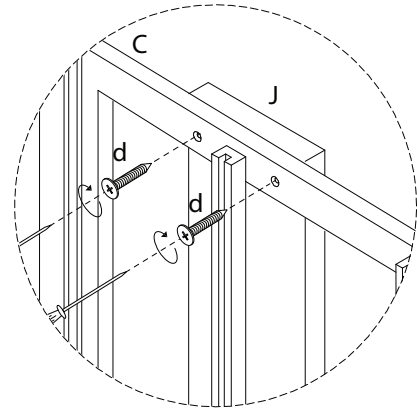
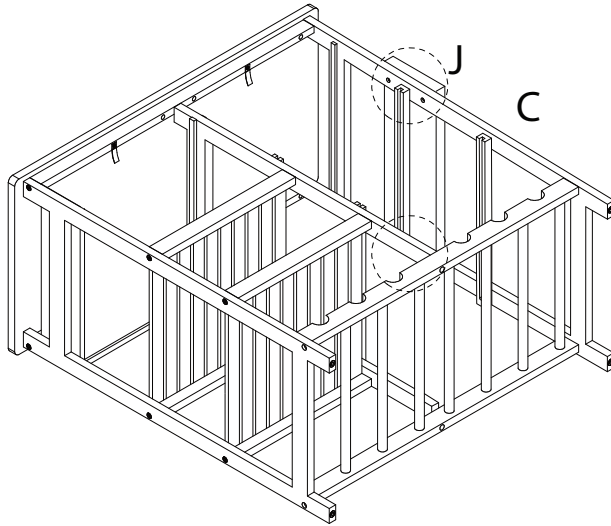


x 1

d



x 4



14

h

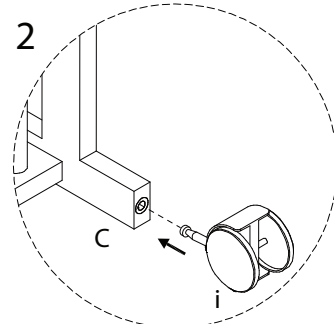
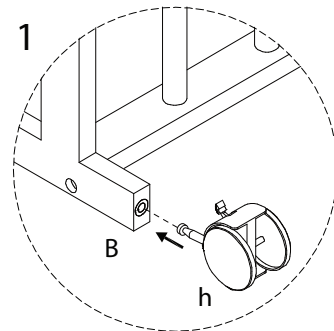
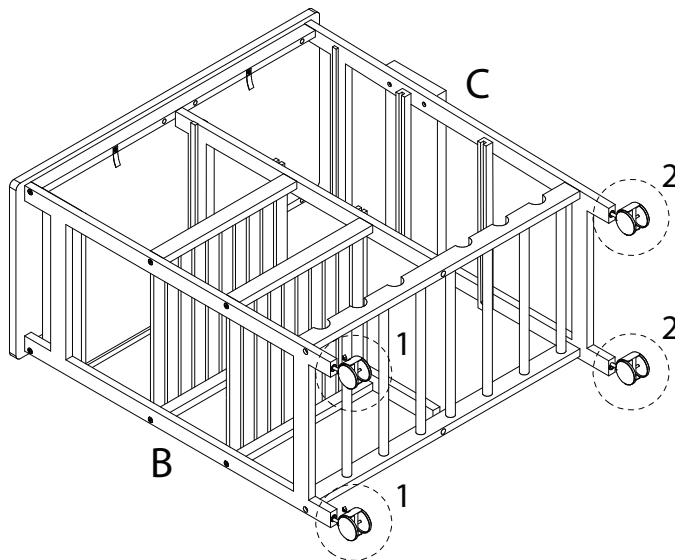


x 2

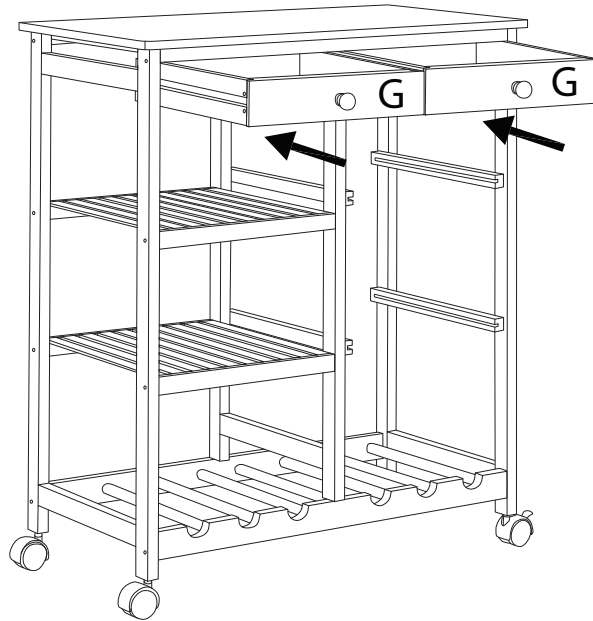
i



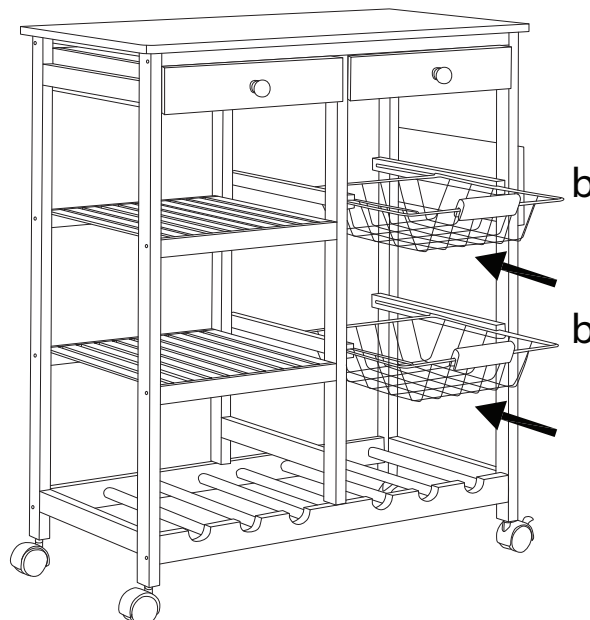
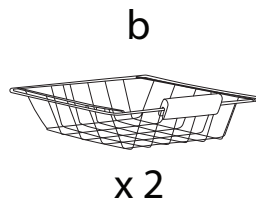
x 2



15



16



17

g



x 12

