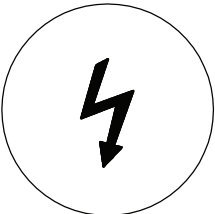
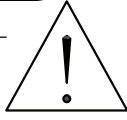
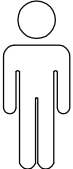
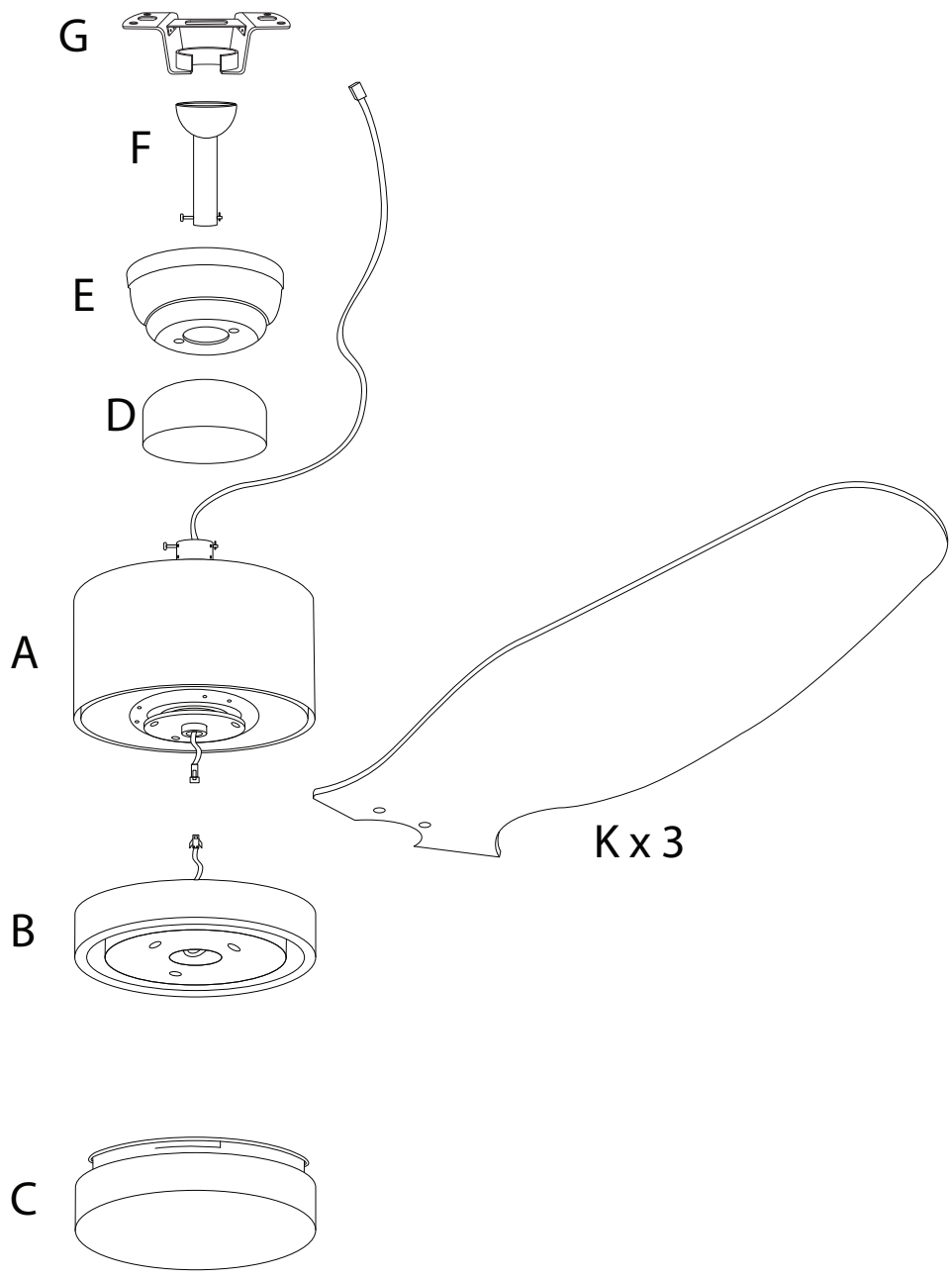
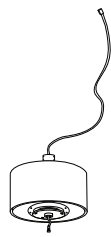
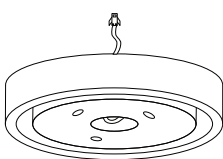
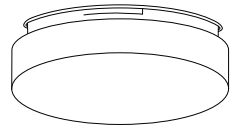
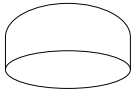

		<b>60'</b>
		
		<b>1</b>



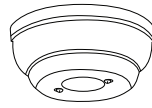
<p><b>A</b></p>  <p><b>x 1</b></p>	<p><b>B</b></p>  <p><b>x 1</b></p>	<p><b>C</b></p>  <p><b>x 1</b></p>
---	---	---

D



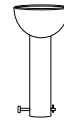
x 1

E



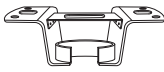
x 1

F



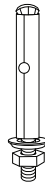
x 1

G



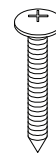
x 1

H



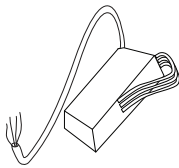
x 2

I



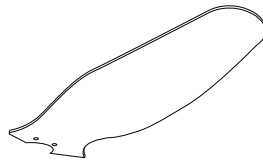
x 4

J



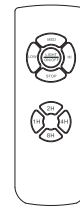
x 1

K



x 3

L

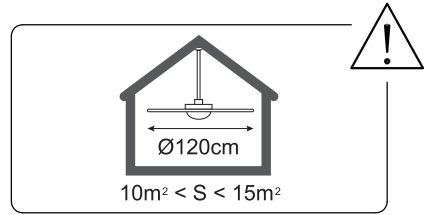
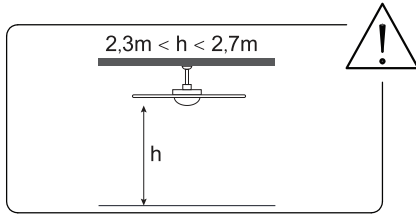
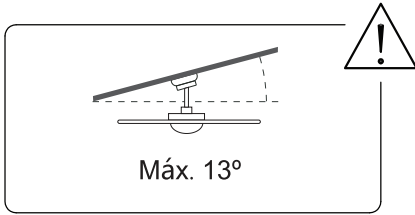
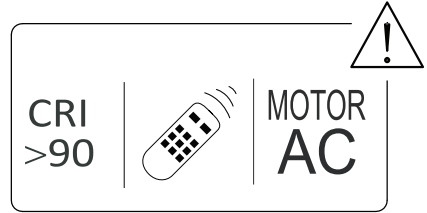
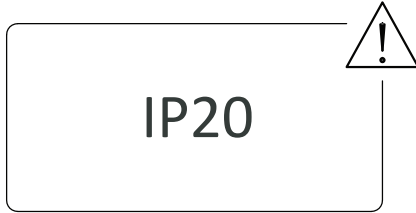
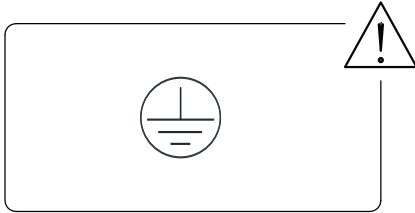
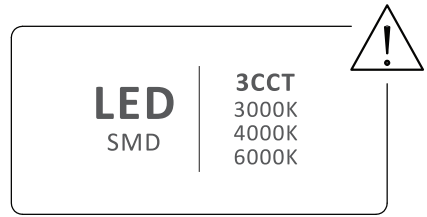
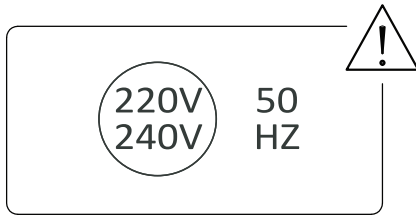


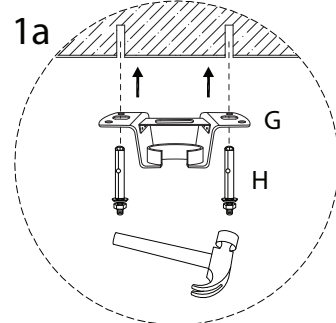
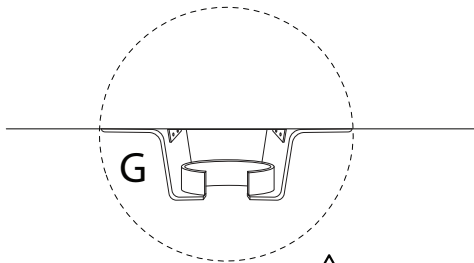
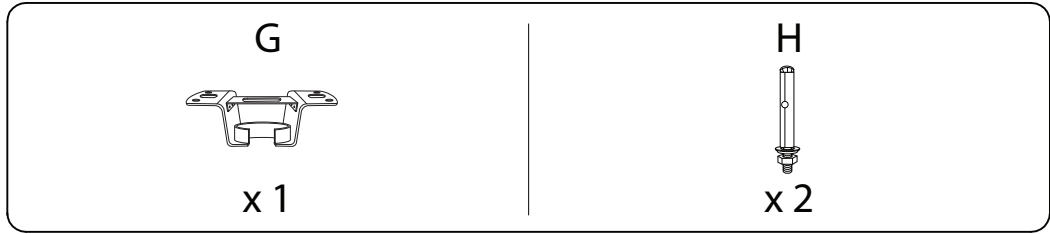
x 1

N

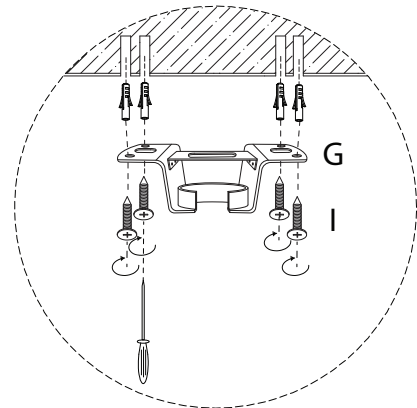
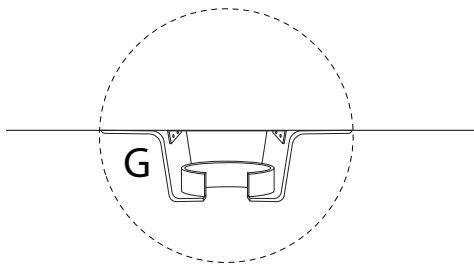
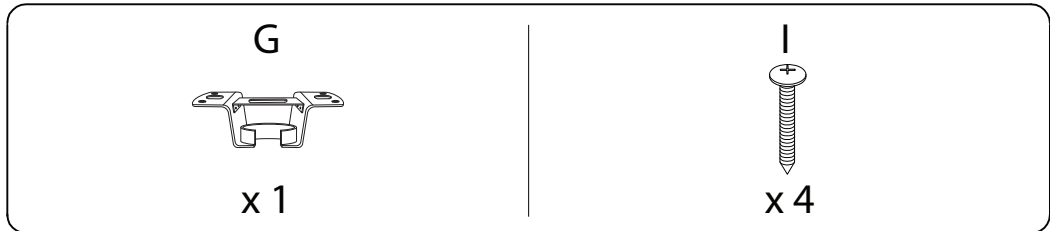
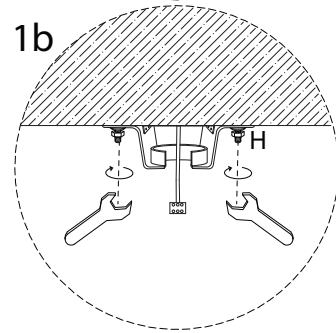
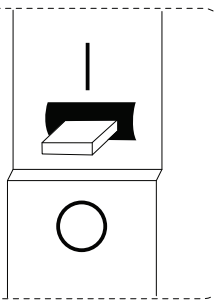


x 2

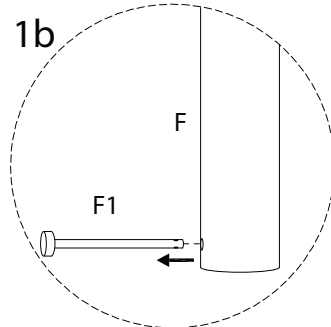
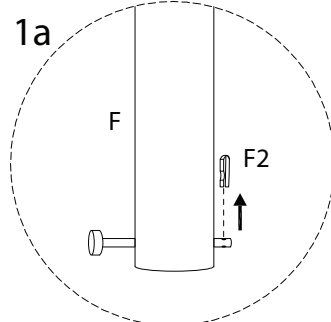
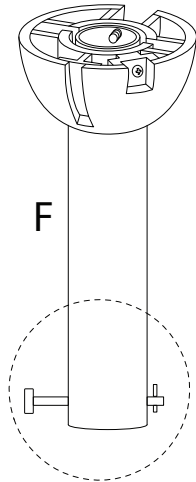
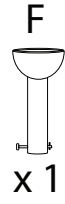




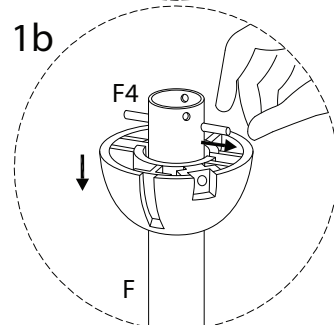
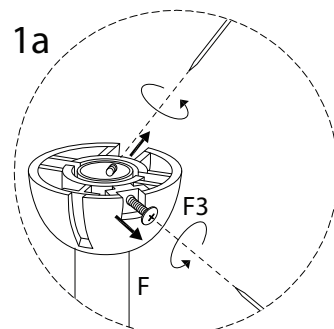
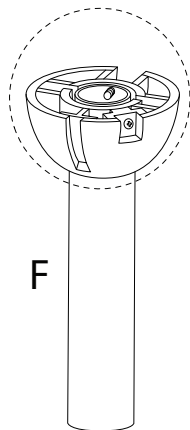
OFF



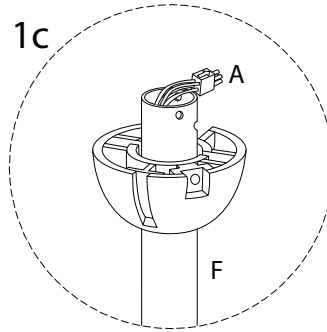
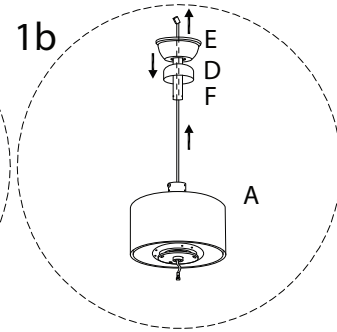
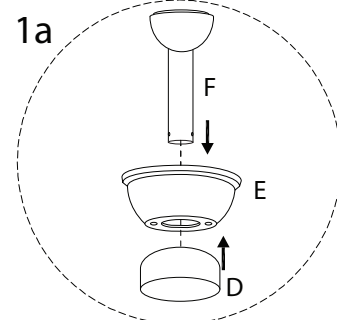
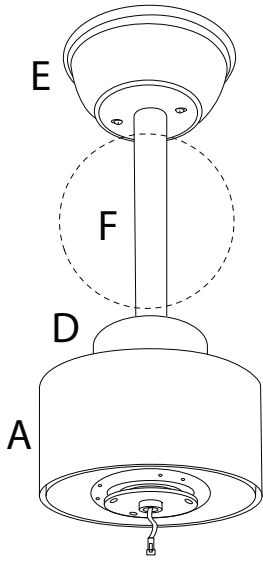
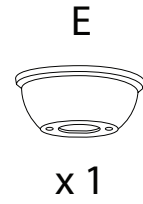
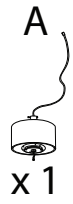
1



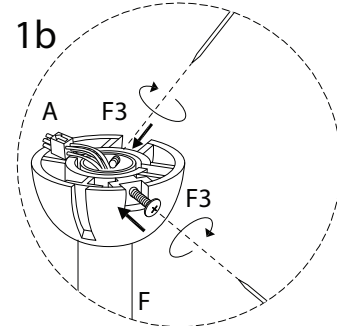
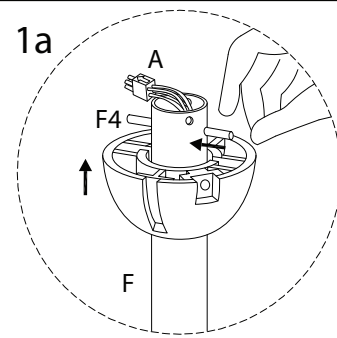
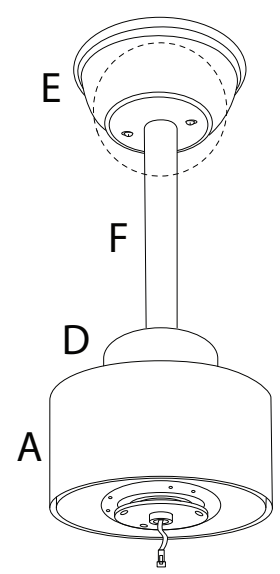
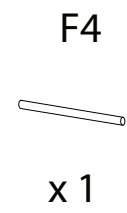
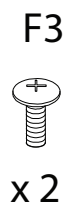
2



3



4



5

F1

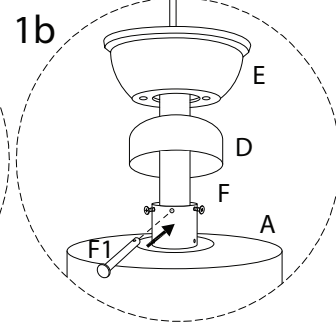
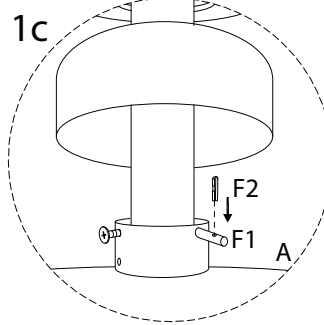
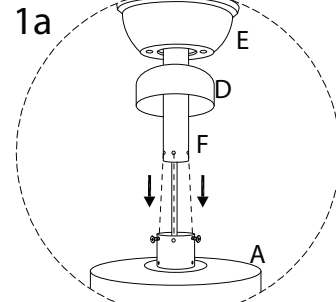
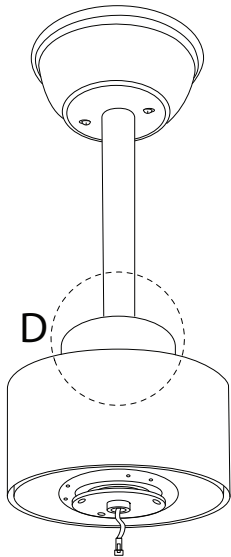


x 1

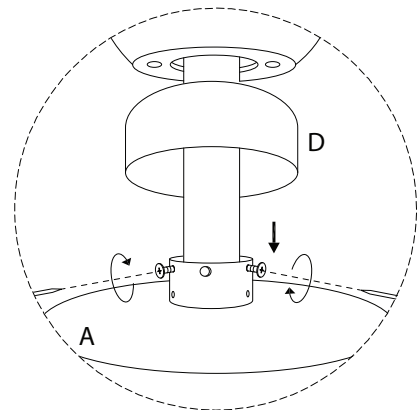
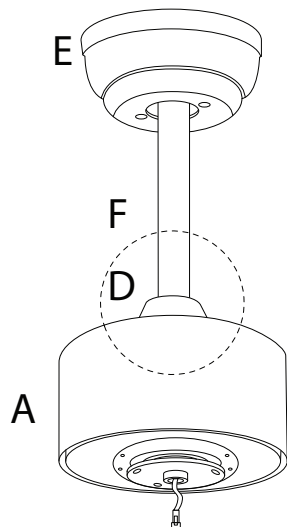
F2



x 1



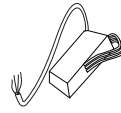
6



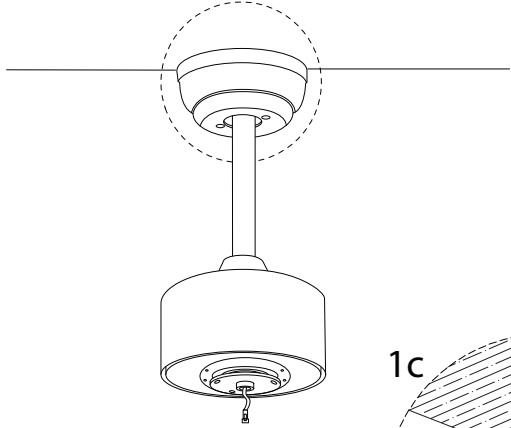


7

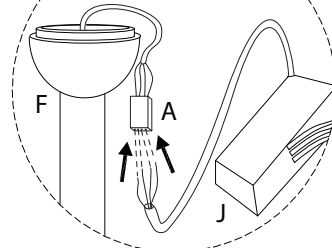
J



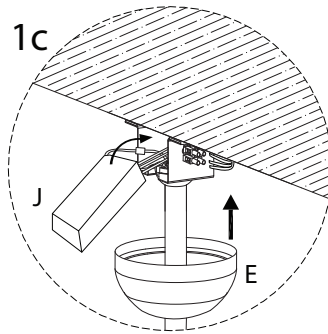
x 1



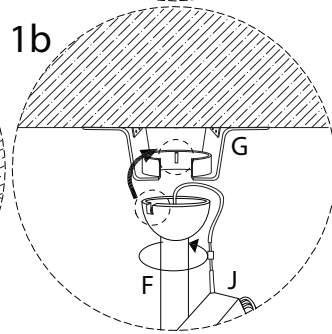
1a



1c



1b

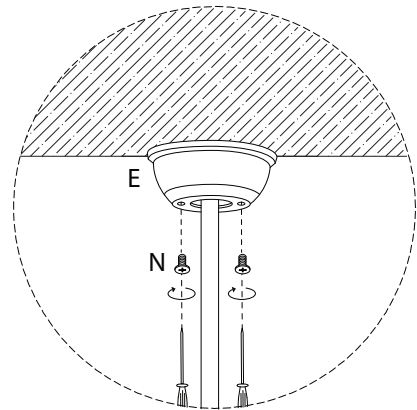
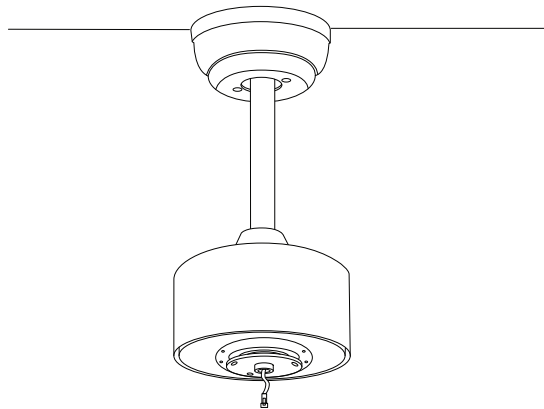


8

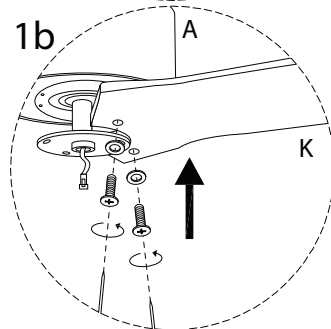
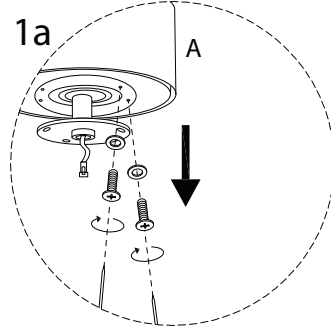
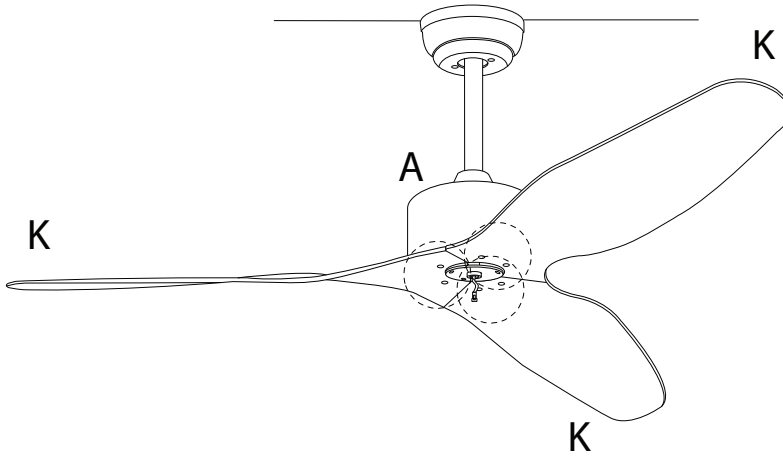
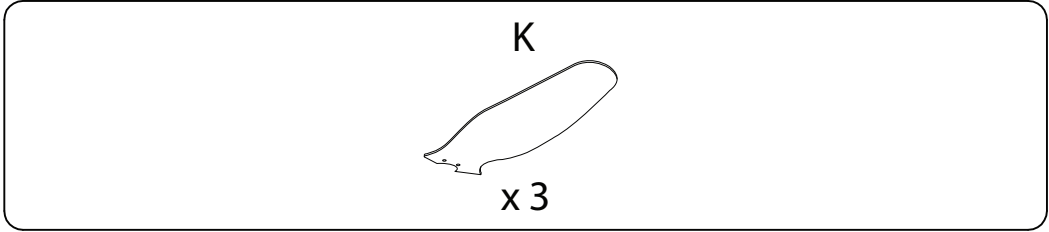
N



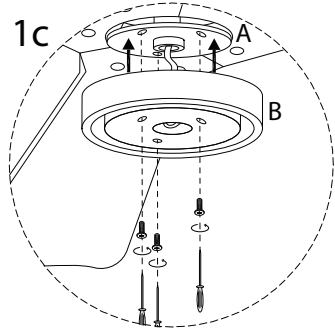
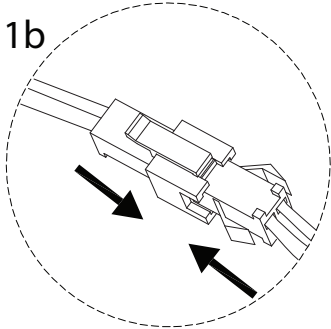
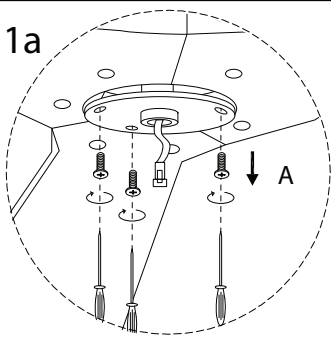
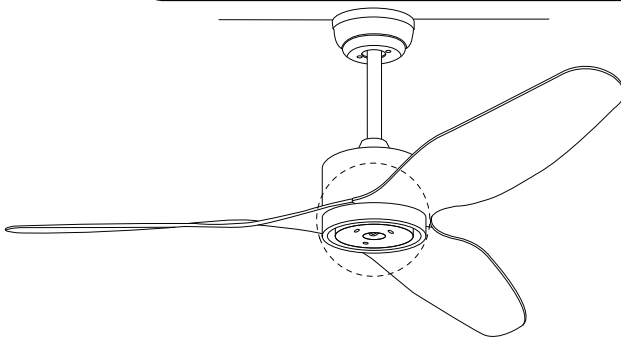
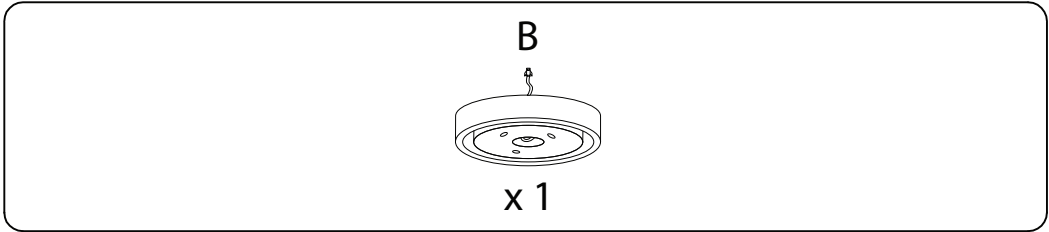
x 2



9



10



11

C



x 1

