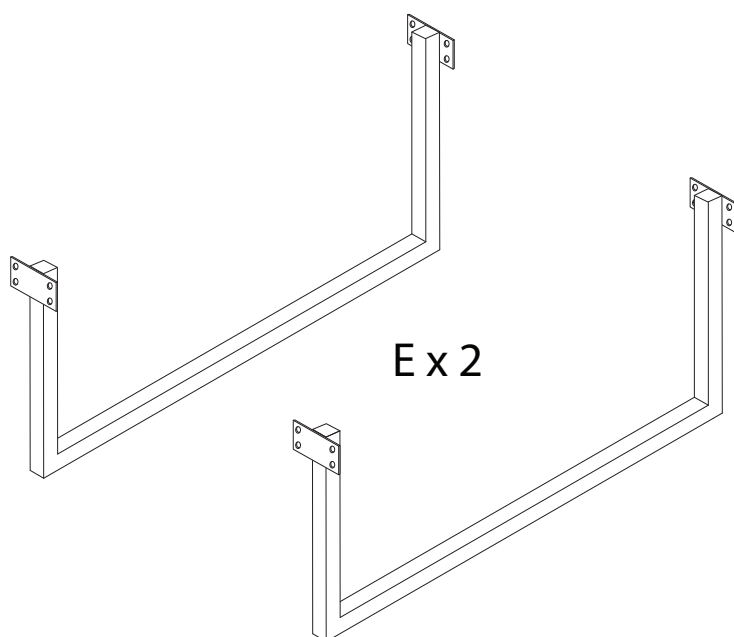
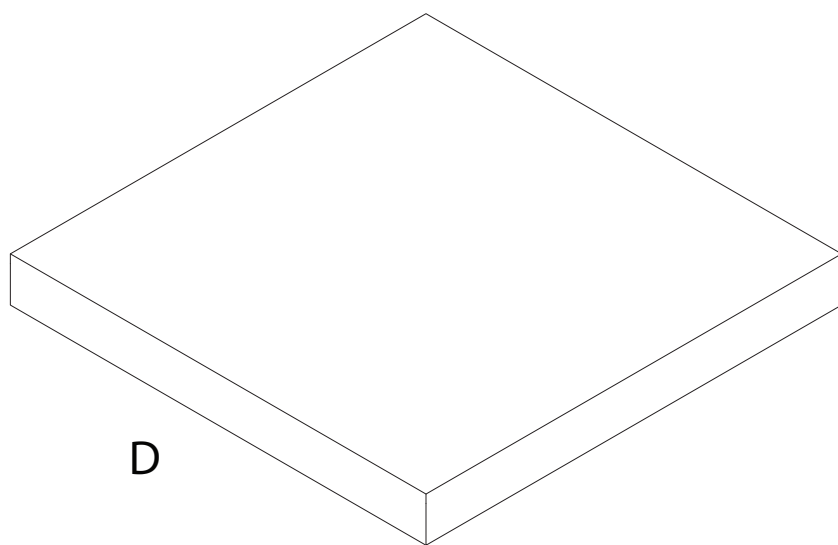
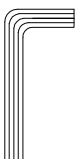

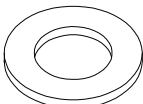
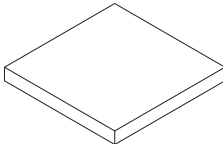
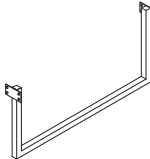


Diagram illustrating assembly steps and safety warnings:

- Step 1:** Shows an L-shaped metal bracket being inserted into a hole in the table top. A power drill is shown with a diagonal line through it, indicating that a drill should not be used for this step. A warning triangle with an exclamation mark is positioned to the right.
- Step 2:** Shows a rectangular block being placed on a surface. A diagonal line through the block indicates that it should not be used. A warning triangle with an exclamation mark is positioned to the right.
- Time:** A clock icon is shown with the text "15'" below it, indicating a 15-minute assembly time.
- Person:** A stick figure icon is shown with the text "1" below it, indicating that one person is required for assembly.



A	B	C	D	E
	 M6 x 16			
x 1	x 16	x 16	x 1	x 2

1

