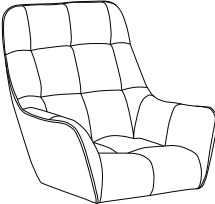
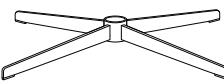

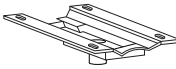

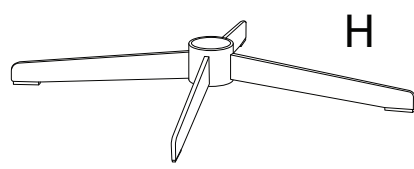
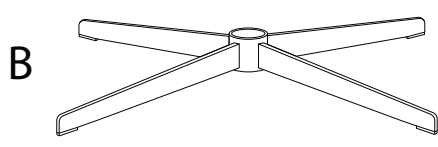
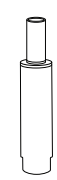
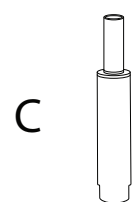
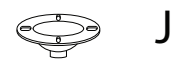
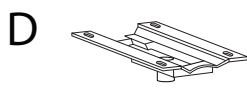
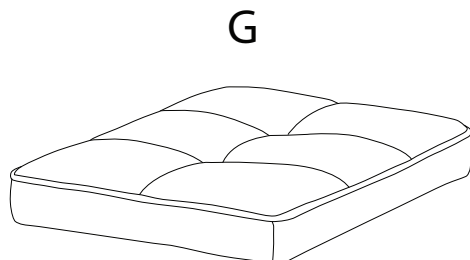
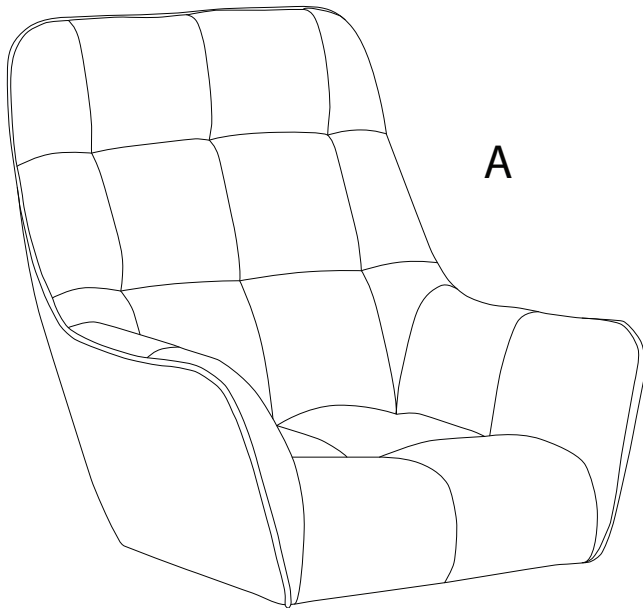


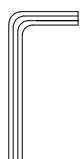

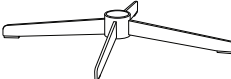




Assembly instructions for the chair and ottoman:

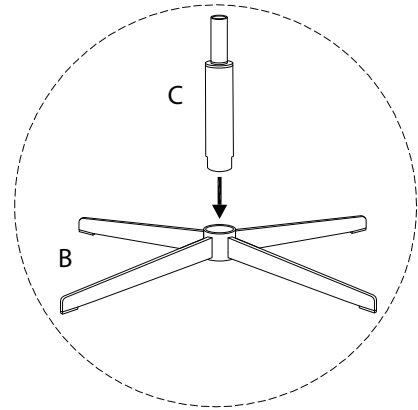
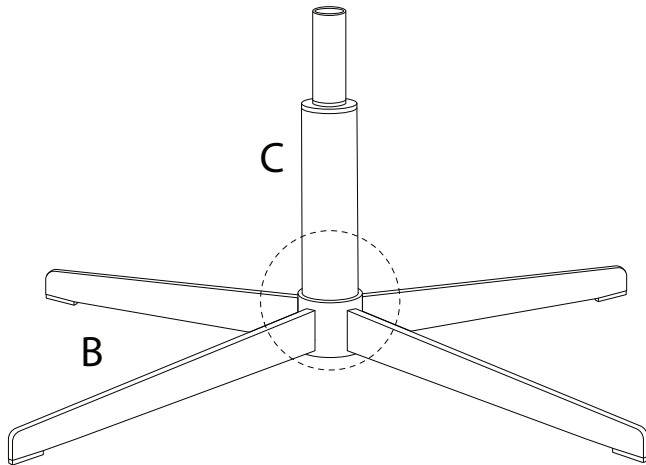
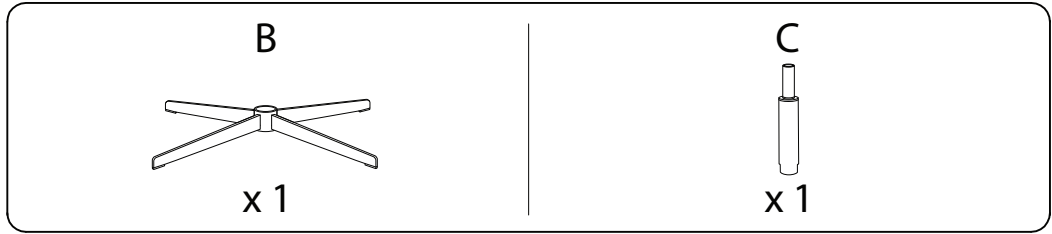
- Warning:** Do not use a power drill. Use an Allen key (shown in a circle) to tighten the base.
- Warning:** Do not place the chair on a soft surface like a rug. Place it on a hard, flat surface (shown in a circle).
- Time:** 20' (minutes)
- Personnel:** 1 person

<p><b>A</b></p>  <p><b>x1</b></p>	<p><b>B</b></p>  <p><b>x1</b></p>	<p><b>C</b></p>  <p><b>x1</b></p>	<p><b>D</b></p>  <p><b>x1</b></p>	<p><b>E</b></p>  <p>M6 x 20</p> <p><b>x8</b></p>
--	--	--	---	---

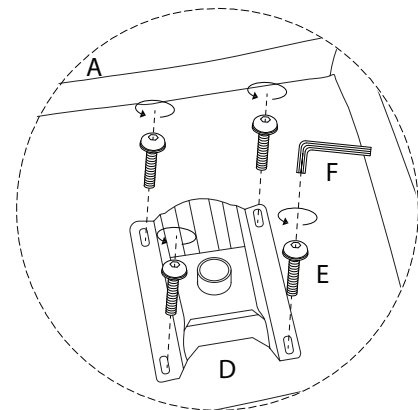
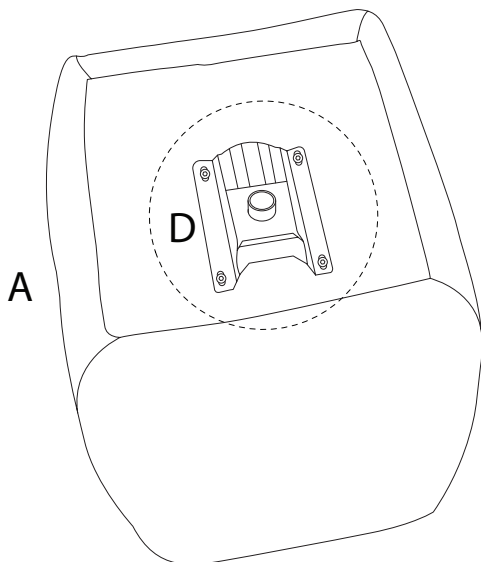
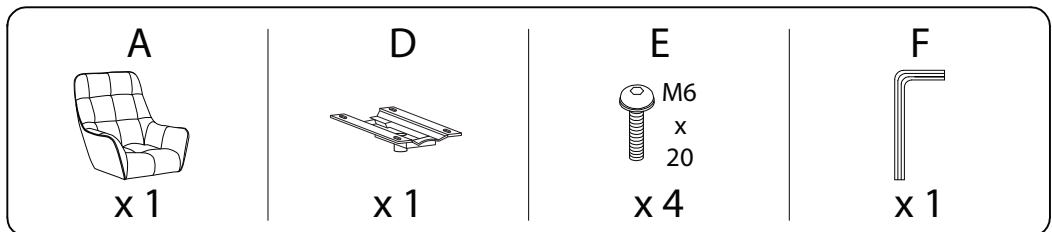


<p><b>F</b></p>  <p><b>x1</b></p>	<p><b>G</b></p>  <p><b>x1</b></p>	<p><b>H</b></p>  <p><b>x1</b></p>	<p><b>I</b></p>  <p><b>x1</b></p>	<p><b>J</b></p>  <p><b>x1</b></p>
--	--	--	--	--

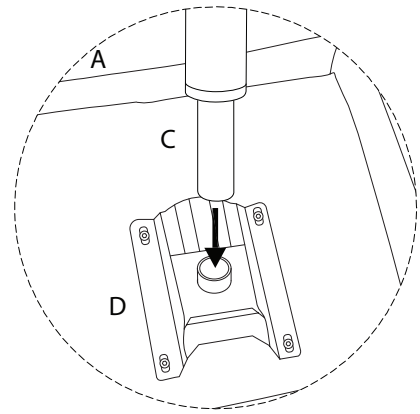
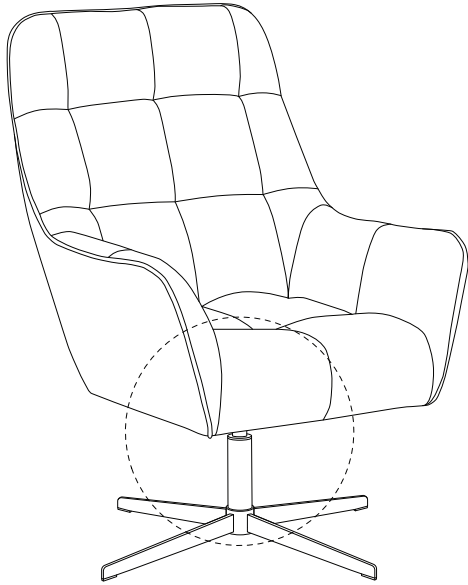
1



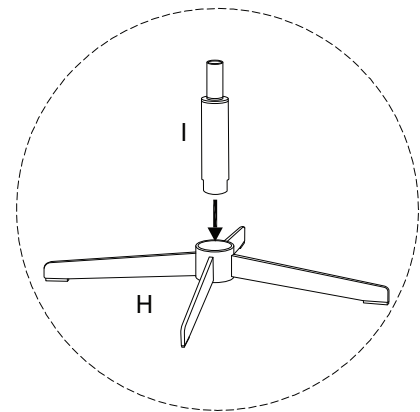
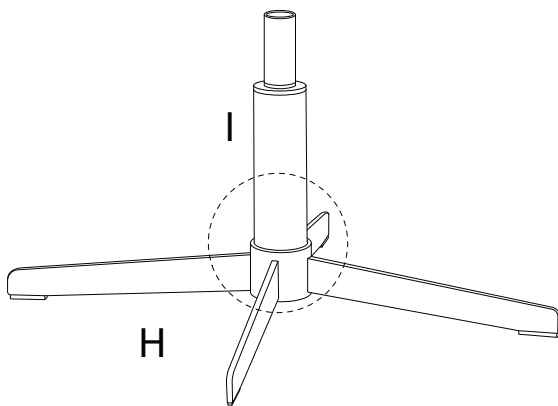
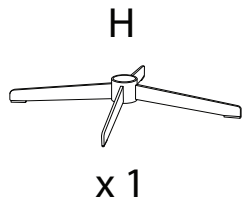
2



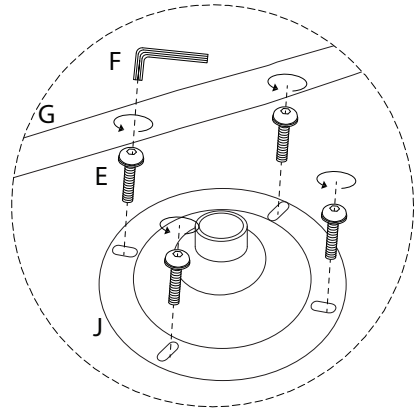
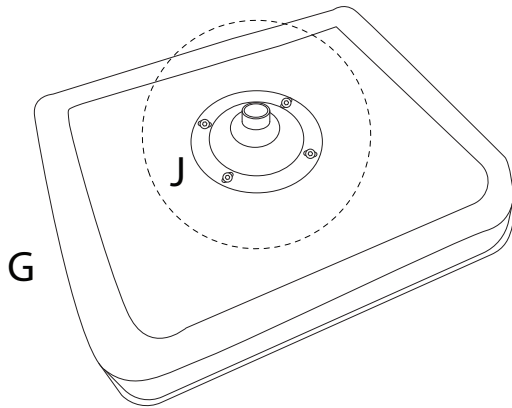
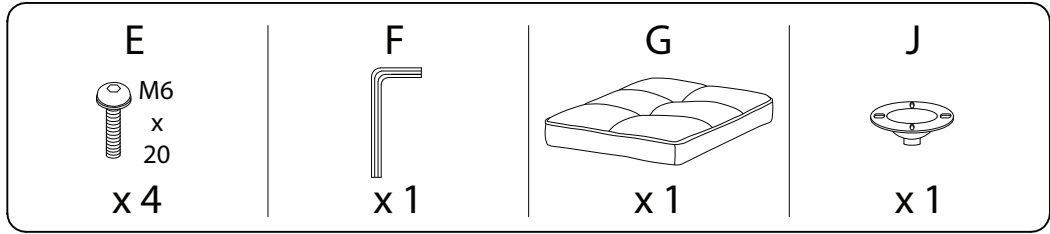
3



4



5



6

