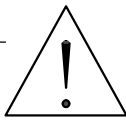
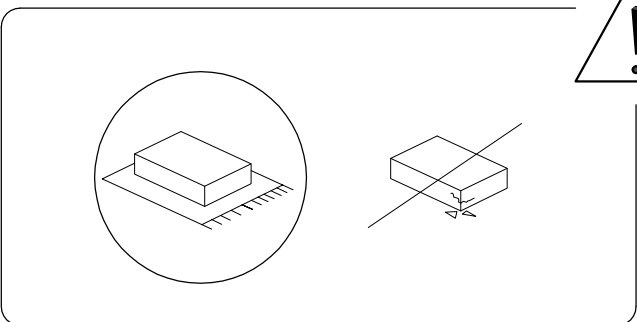
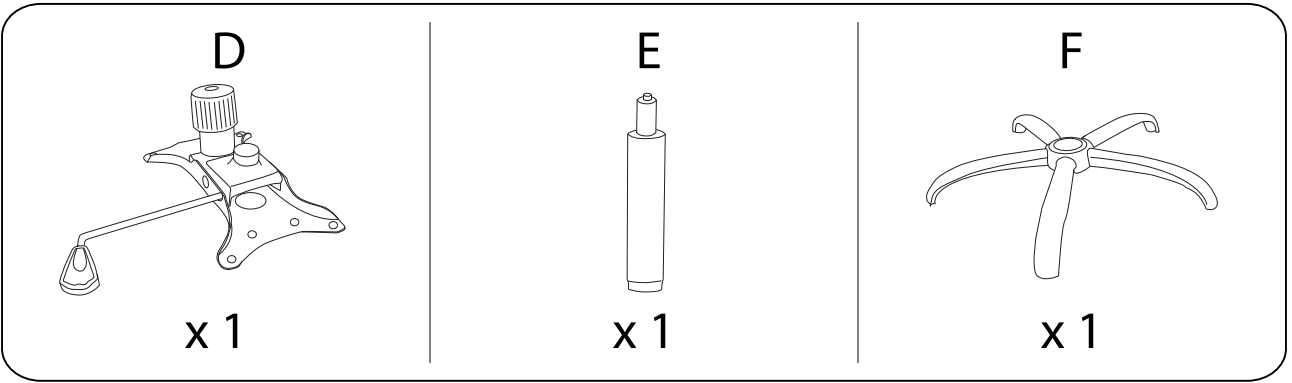
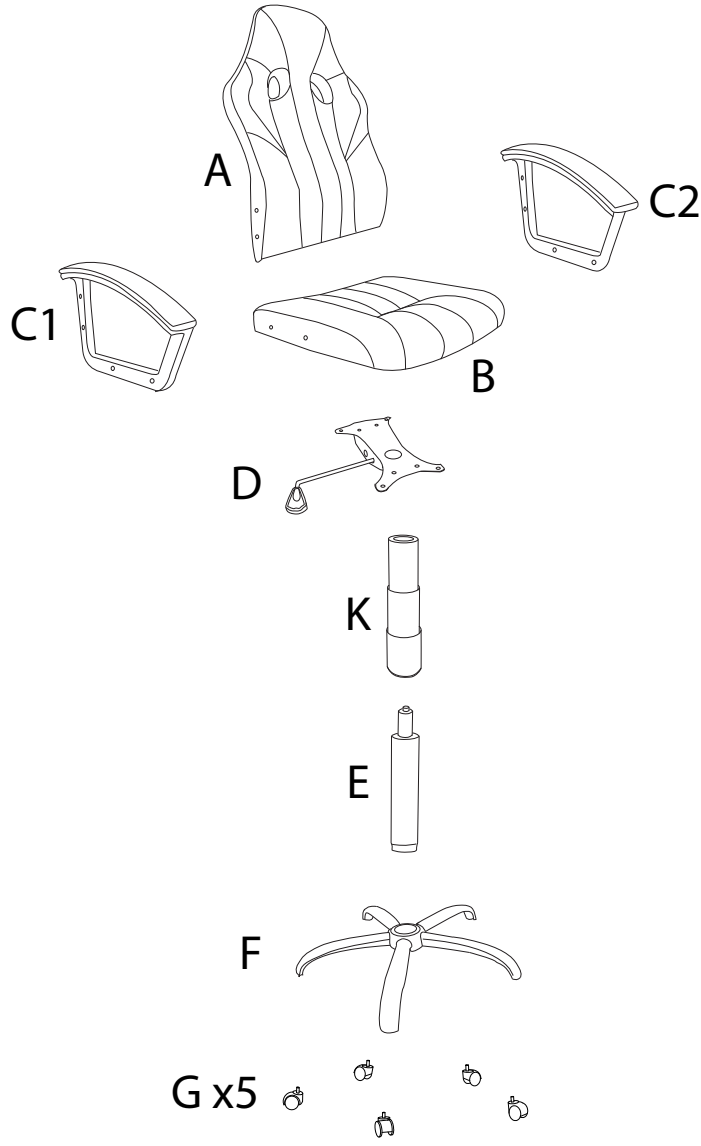
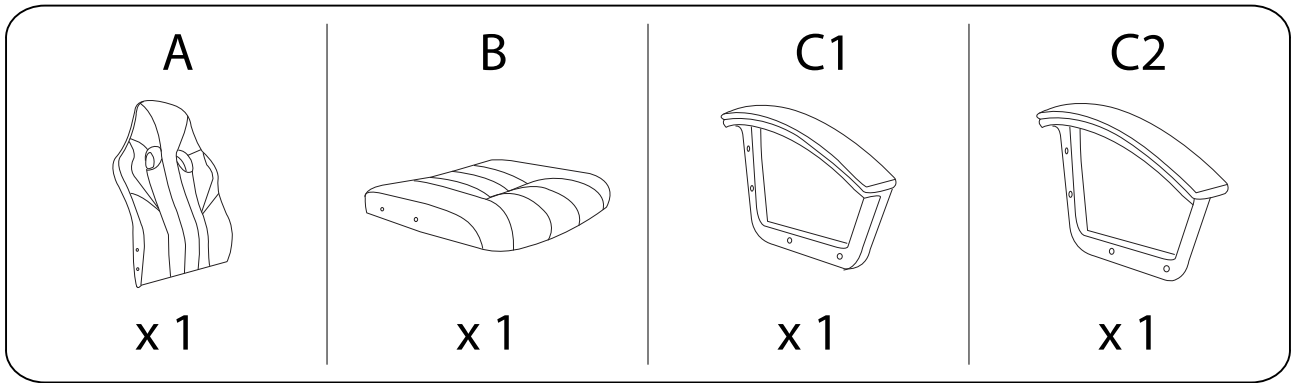


30'



1

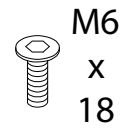


G



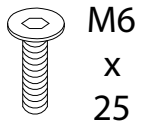
x 5

H



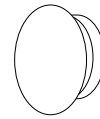
x 4

I



x 8

J



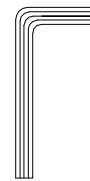
x 8

K



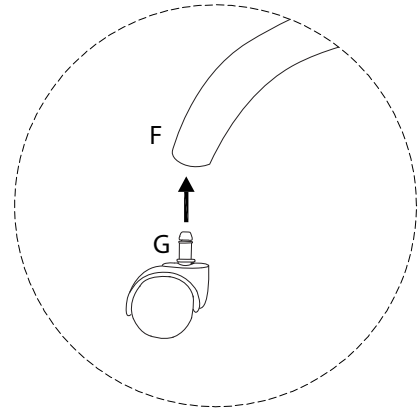
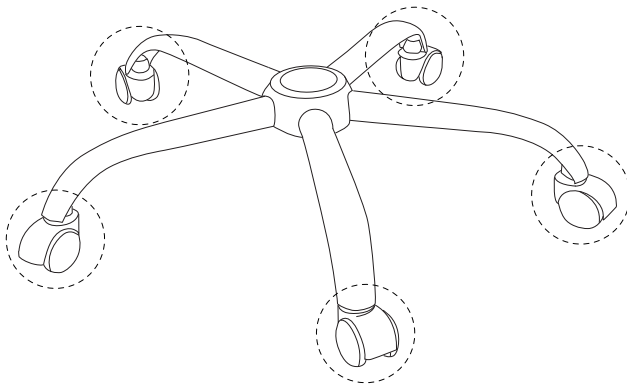
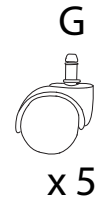
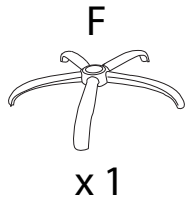
x 1

L

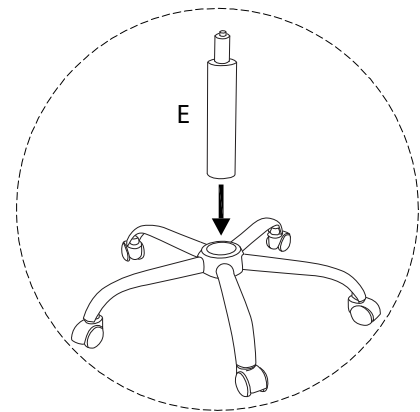
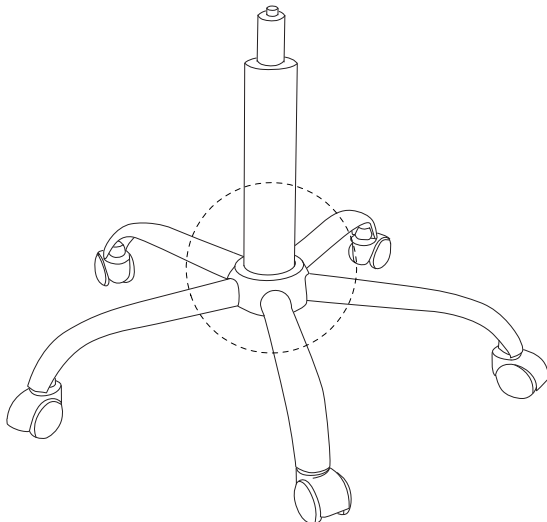
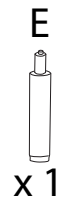


x 1

1

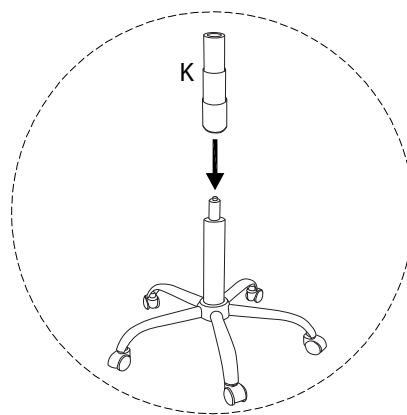
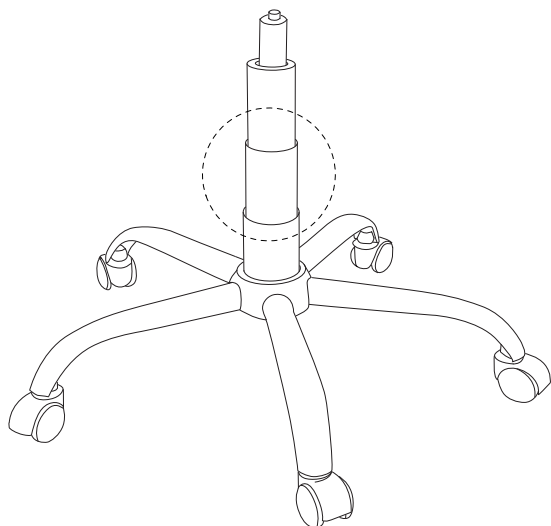


2



3

K
x 1



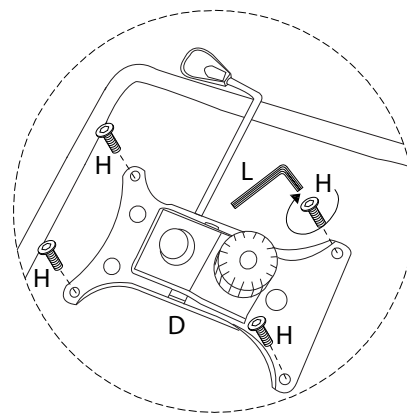
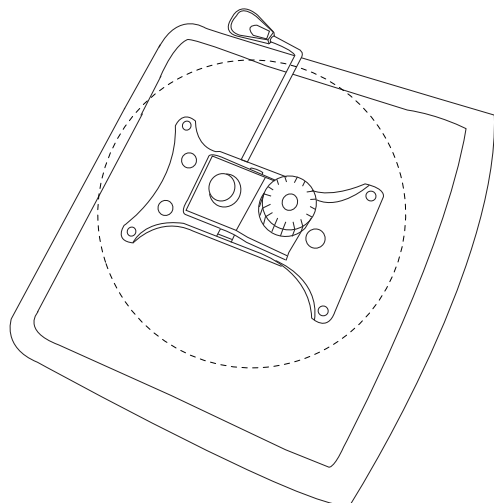
4

B
x 1

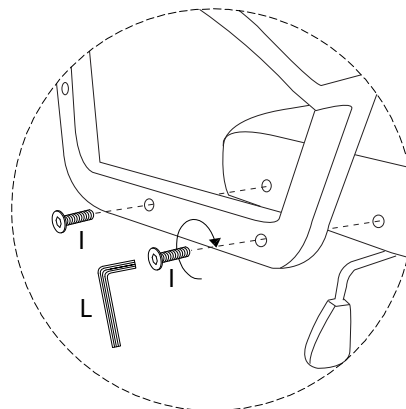
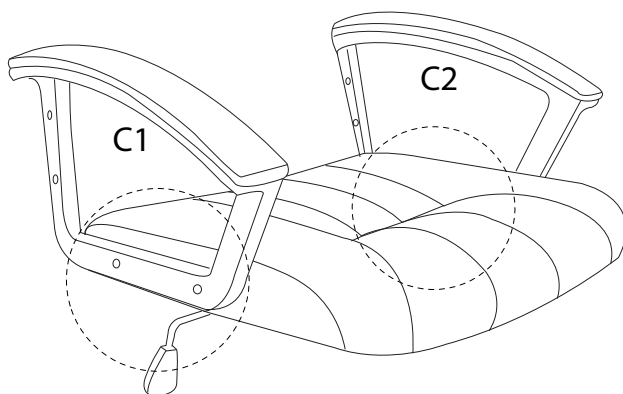
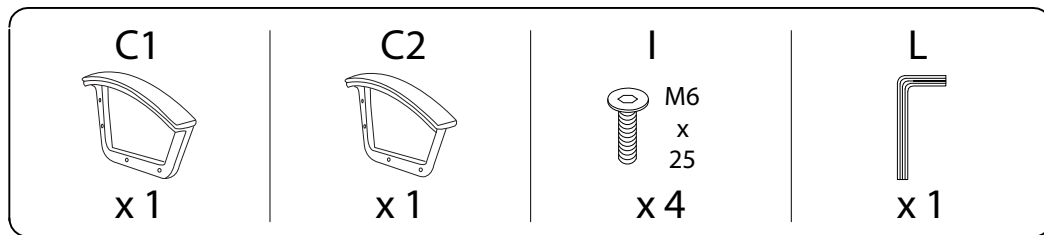
D
x 1

H
M6
x
18
x 4

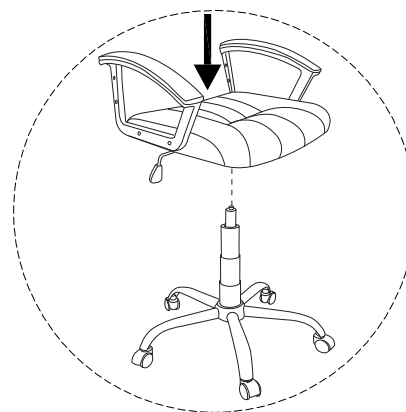
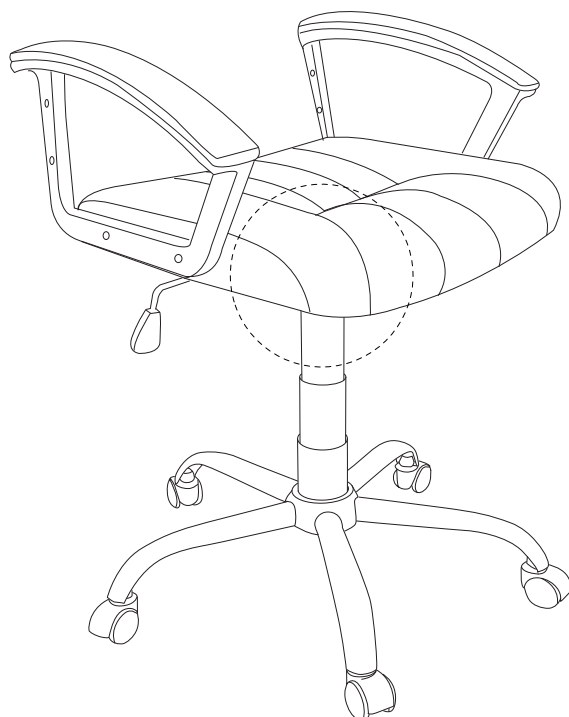
L
x 1



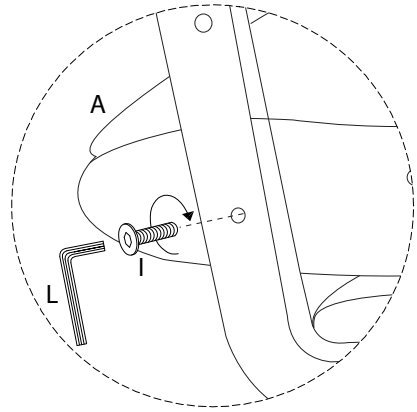
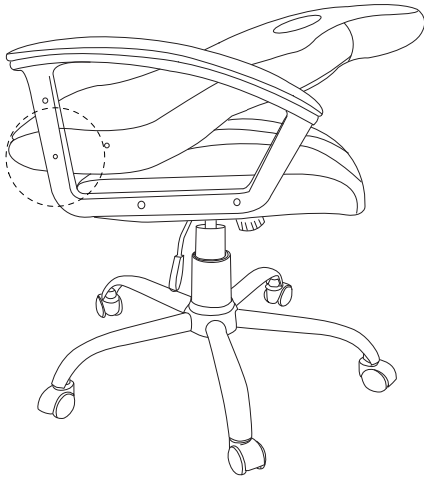
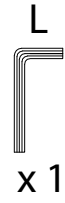
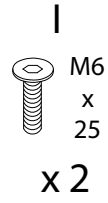
5



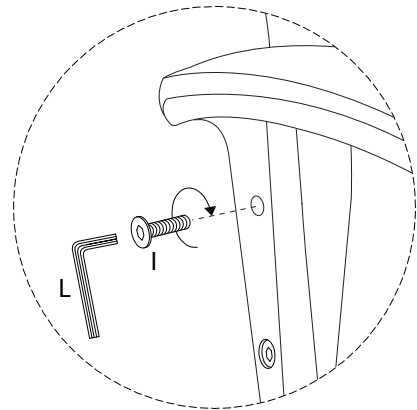
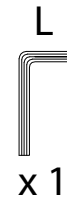
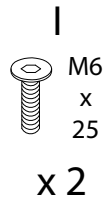
6



7



8



9

J



x 8

