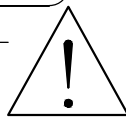
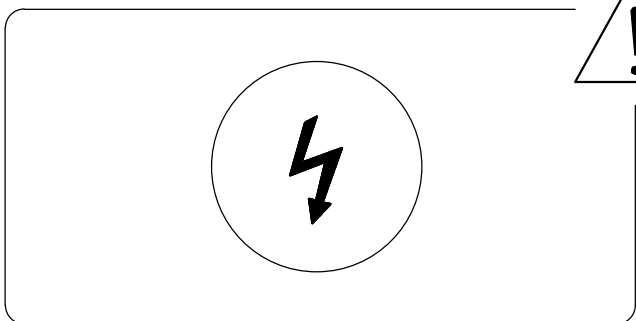


20'



1

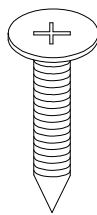
1/3

A



x 1

B

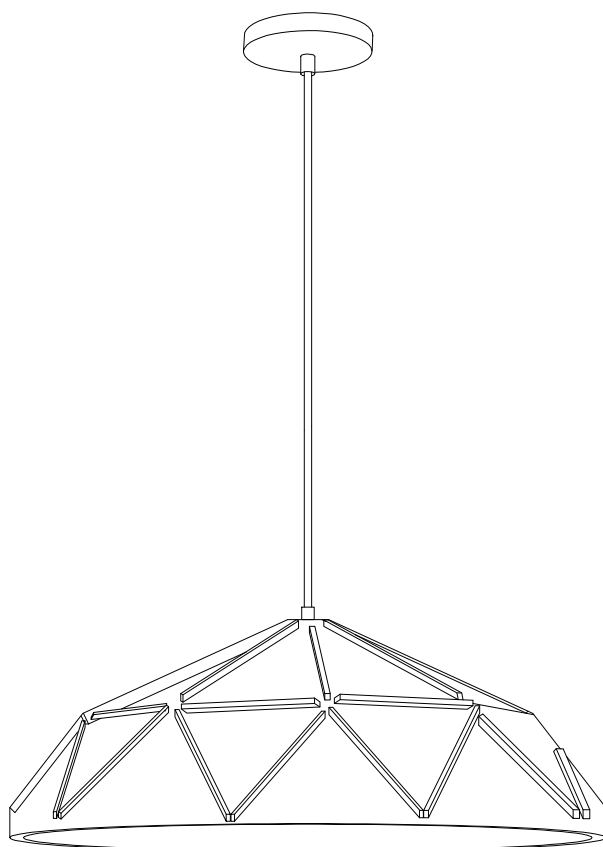


x 2

C

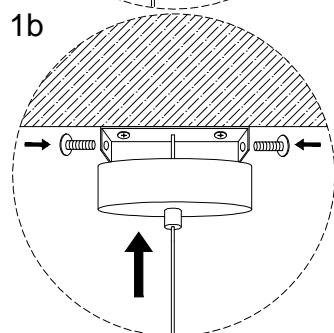
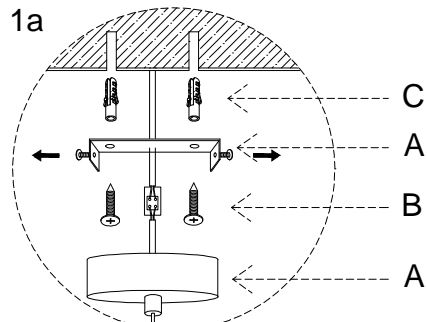
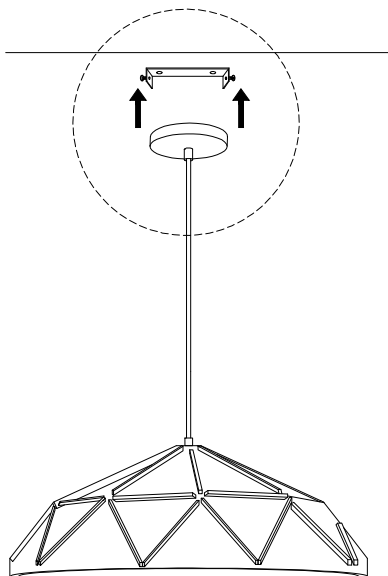
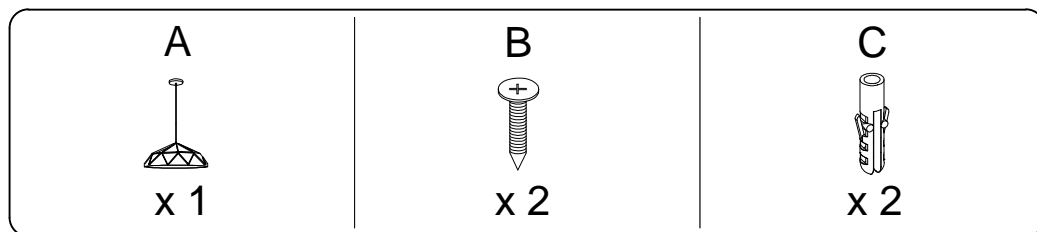


x 2



A

1



2

