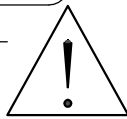
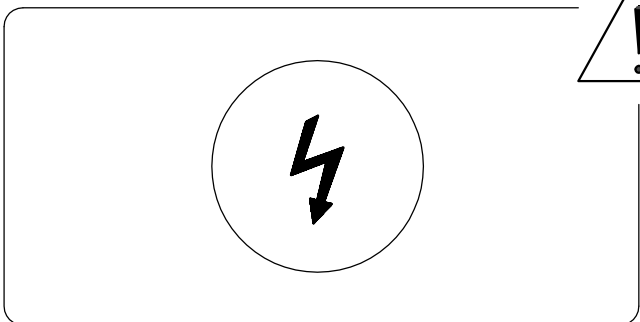
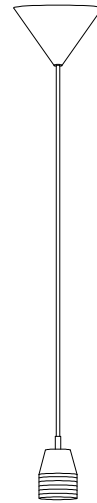
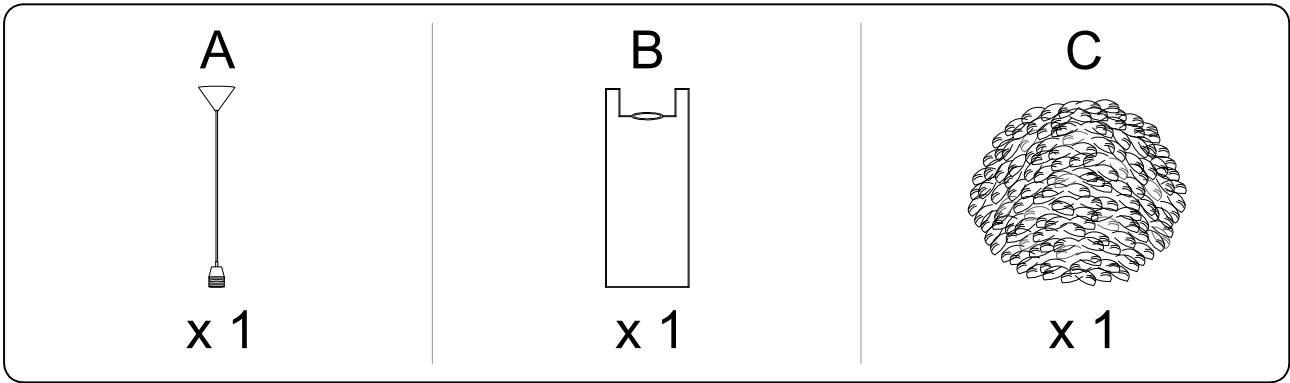


20'

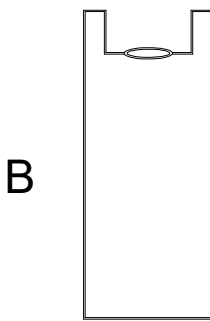


1

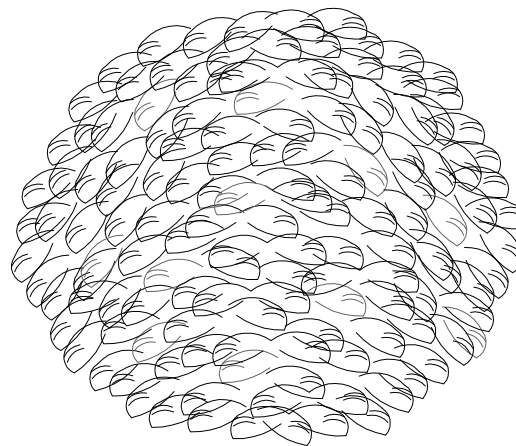
1/4



A



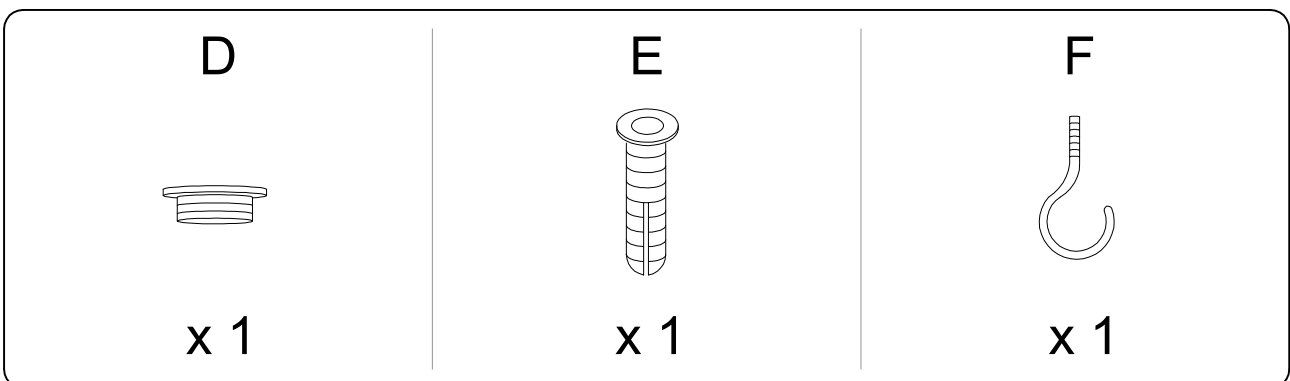
B



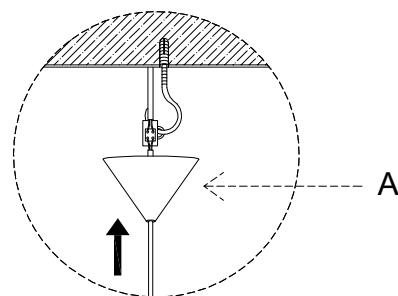
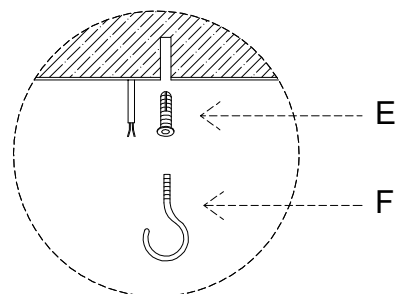
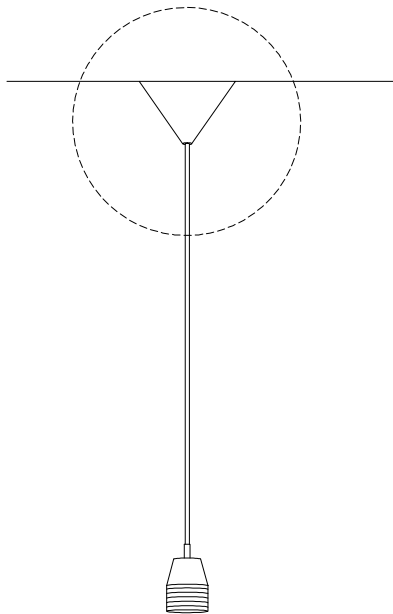
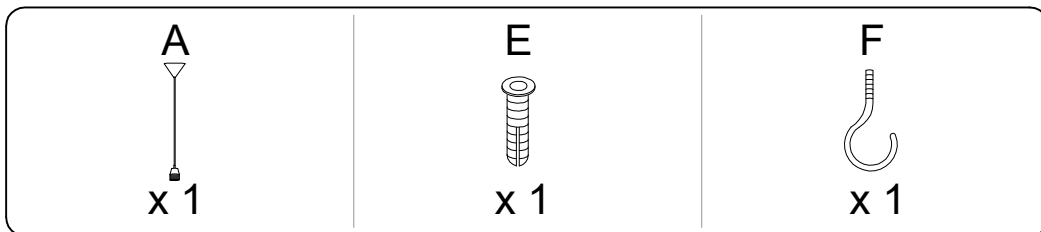
C



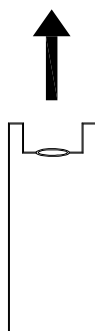
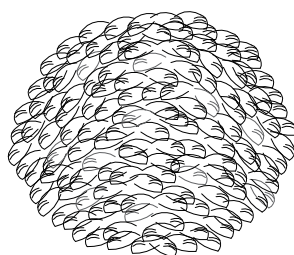
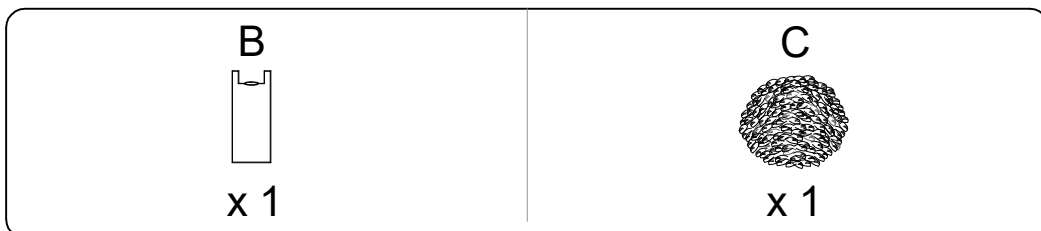
D



1



2

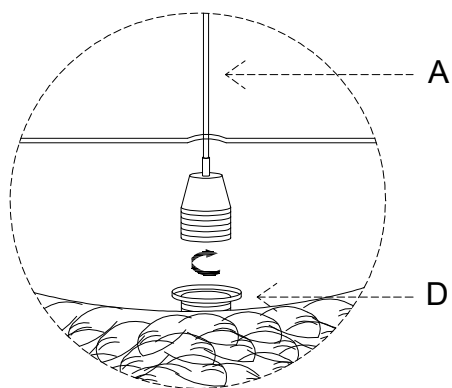
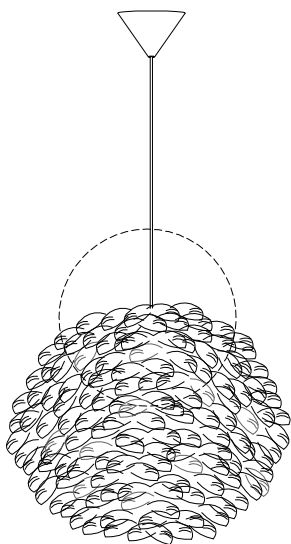


3

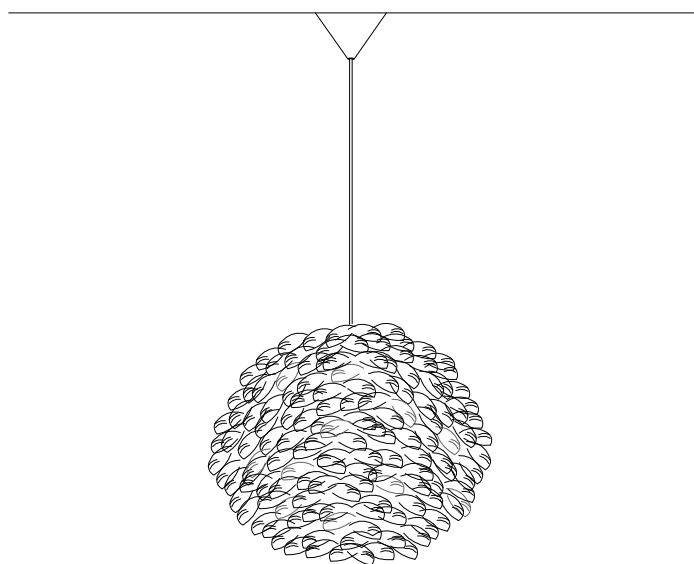
D



x 1



4



4/4