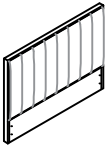

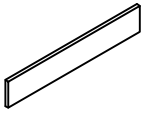


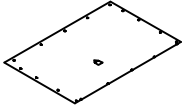



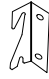




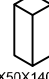
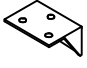






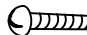


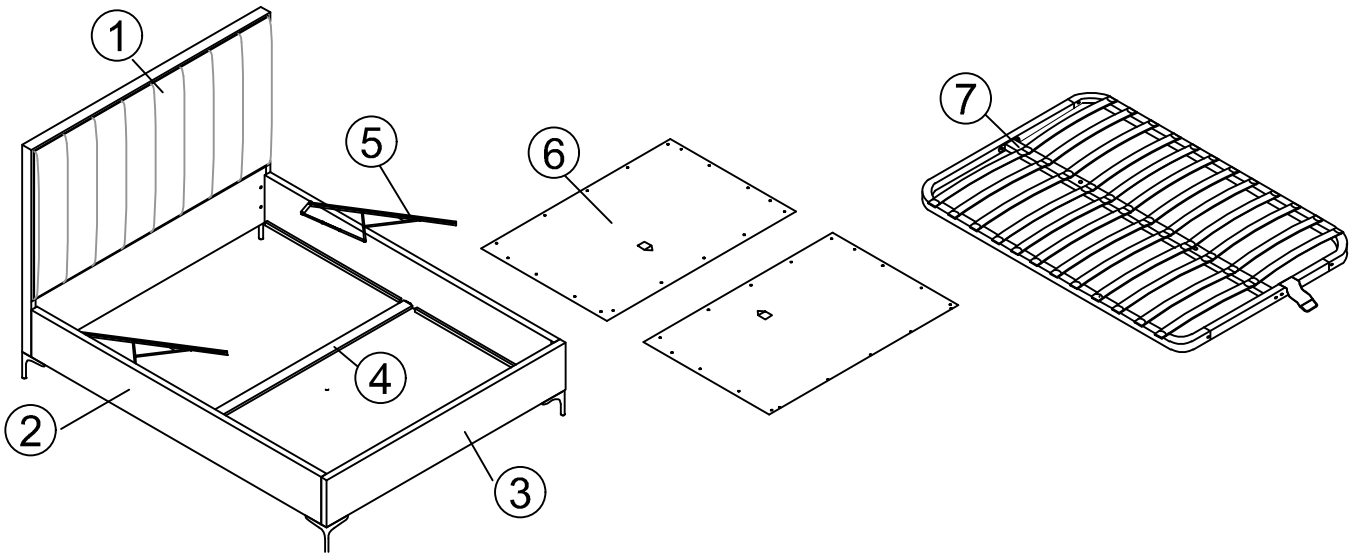
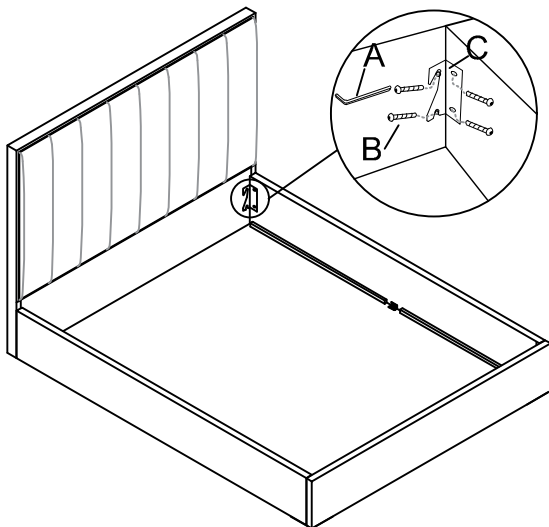


ASSEMBLY INSTRUCTION

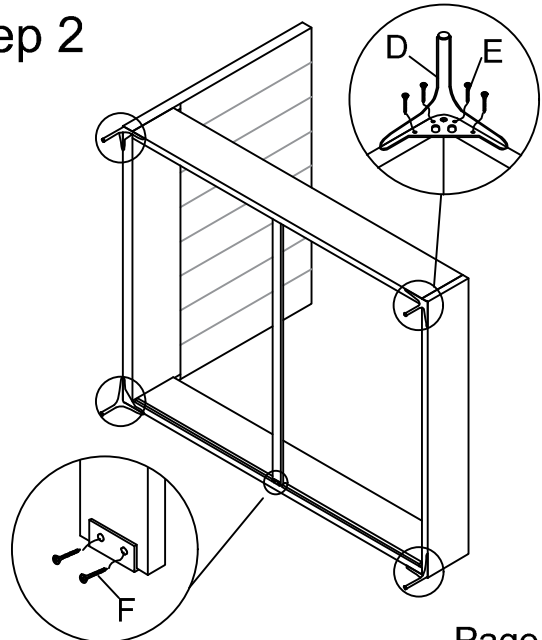
								
① X1	② X2	③ X1	④ X1	⑤ X2	⑥ X2	⑦ X1		
								
AX1	BX16 M8X25mm	CX4	DX4	EX40 M4X25mm	FX40 M3X20mm	GX1 50X50X120mm	HX2 50X50X140mm	IX6
								
JX8 M6X30mm	KX2 M8	LX4 M8X40mm	MX4 M8	NX4 M8	OX2	PX6 M6X45mm	QX6 M6	RX6 M6



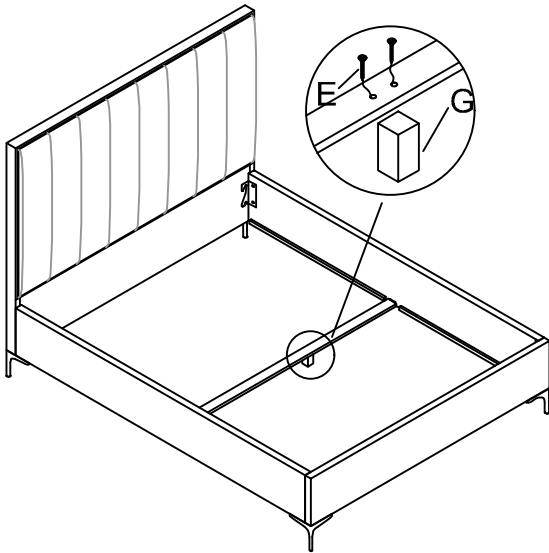
Step 1



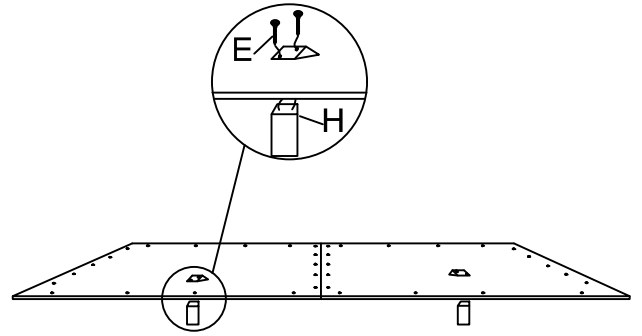
Step 2



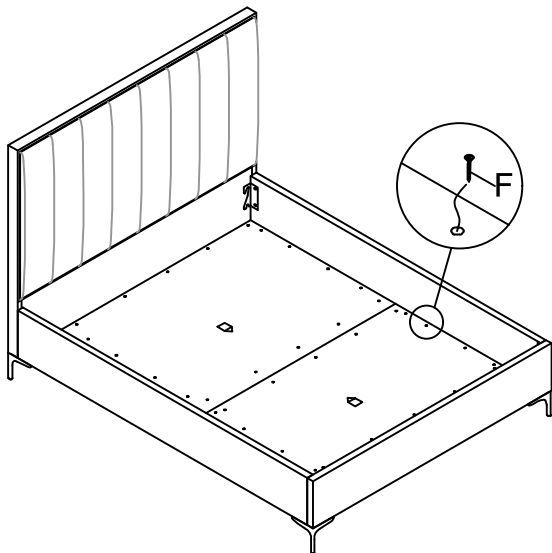
Step 3



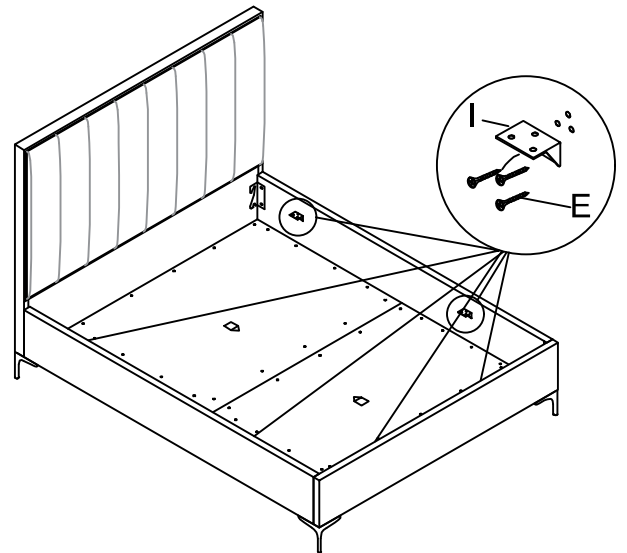
Step 4



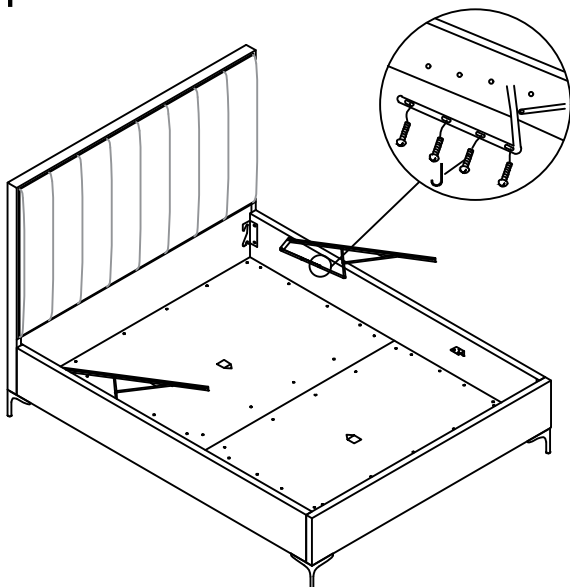
Step 5



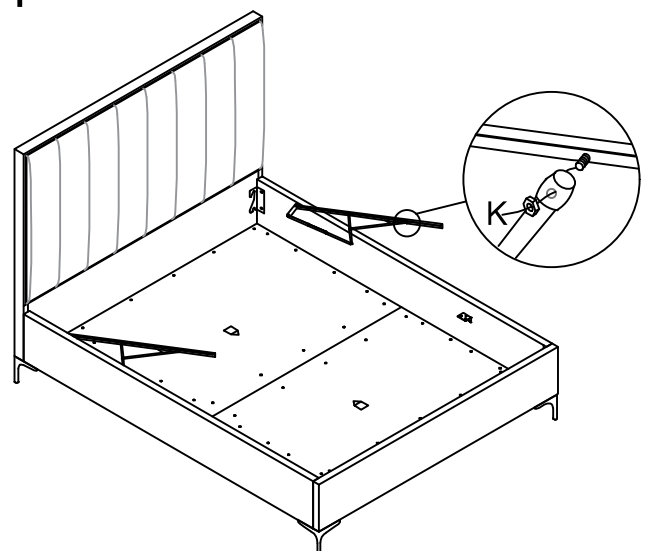
Step 6



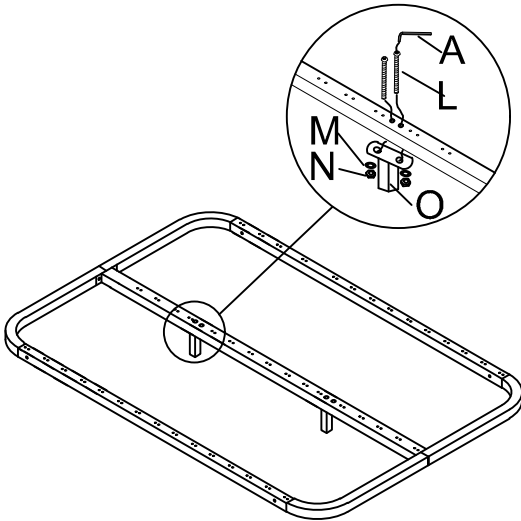
Step 7



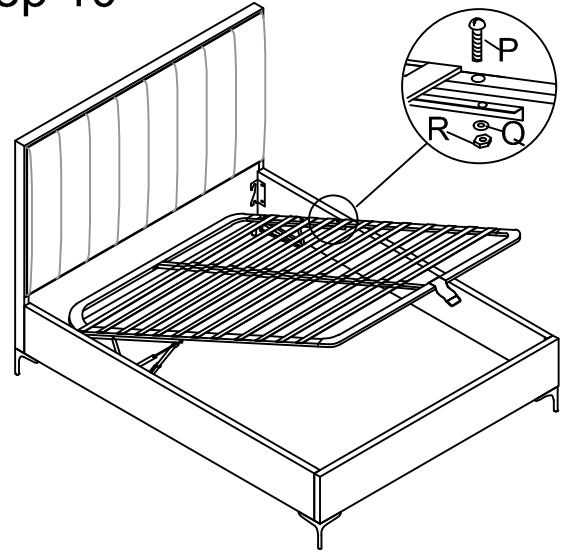
Step 8



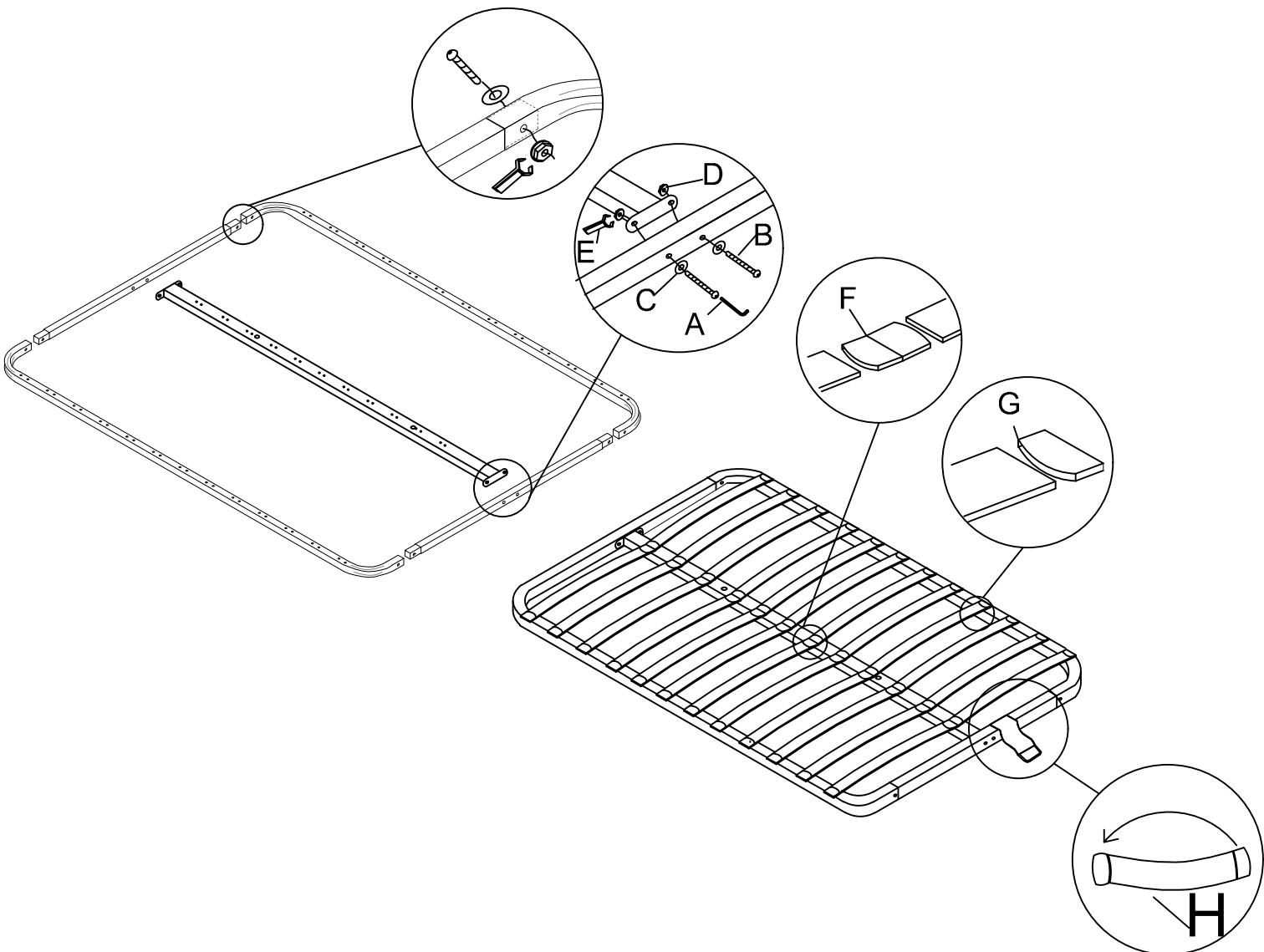
Step 9



Step 10



ASSEMBLY INSTRUCTION



- | | | | | | | | |
|--|---|---|---|---|---|---|---|
|  |  |  |  |  |  |  |  |
| Ax1 | Bx8 | Cx8 | Dx8 | Ex1 | Fx12 | Gx24 | Hx1 |