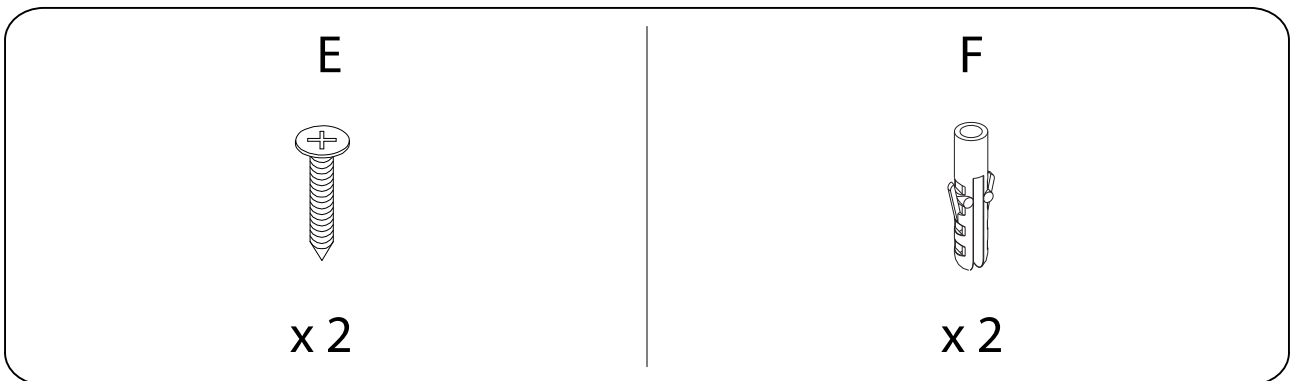
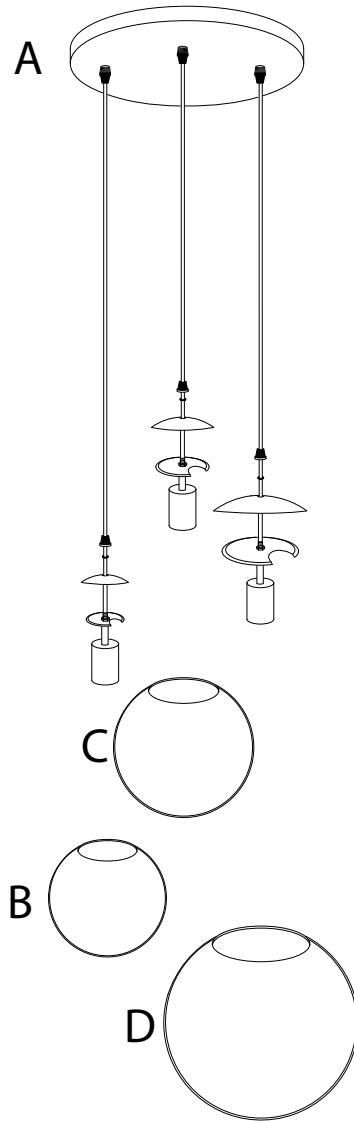
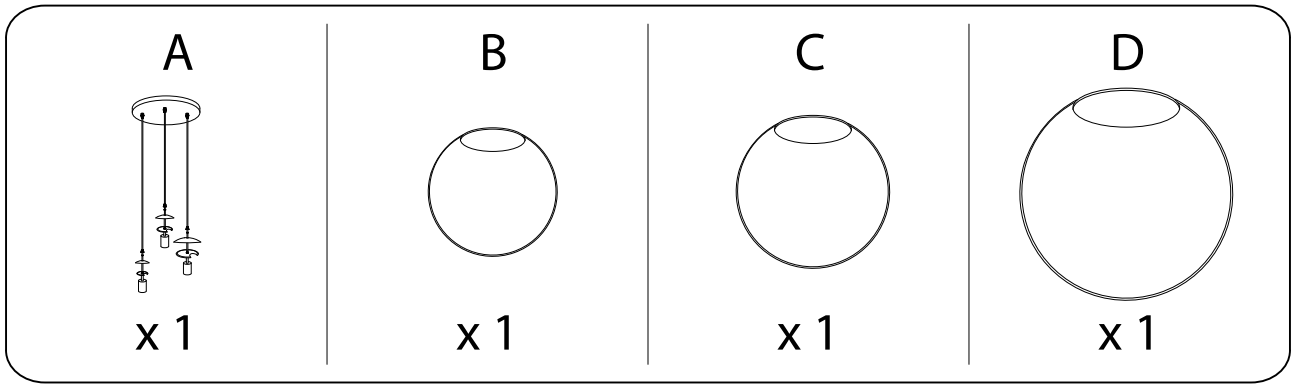


Diagram illustrating the required tools and estimated time for the installation step. On the left, a circular inset shows a screwdriver, and next to it is a power drill. To the right of these tools is a warning triangle containing an exclamation mark. Further to the right is a clock face showing approximately 1:50. Below the clock is the text "15'".

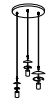
Diagram illustrating the required personnel for the installation step. On the left, a circular inset shows a rectangular block being placed on a surface with a grid pattern. To the right of this is another warning triangle with an exclamation mark. Further to the right is a simple human figure icon. Below the icon is the number "1".

1/5

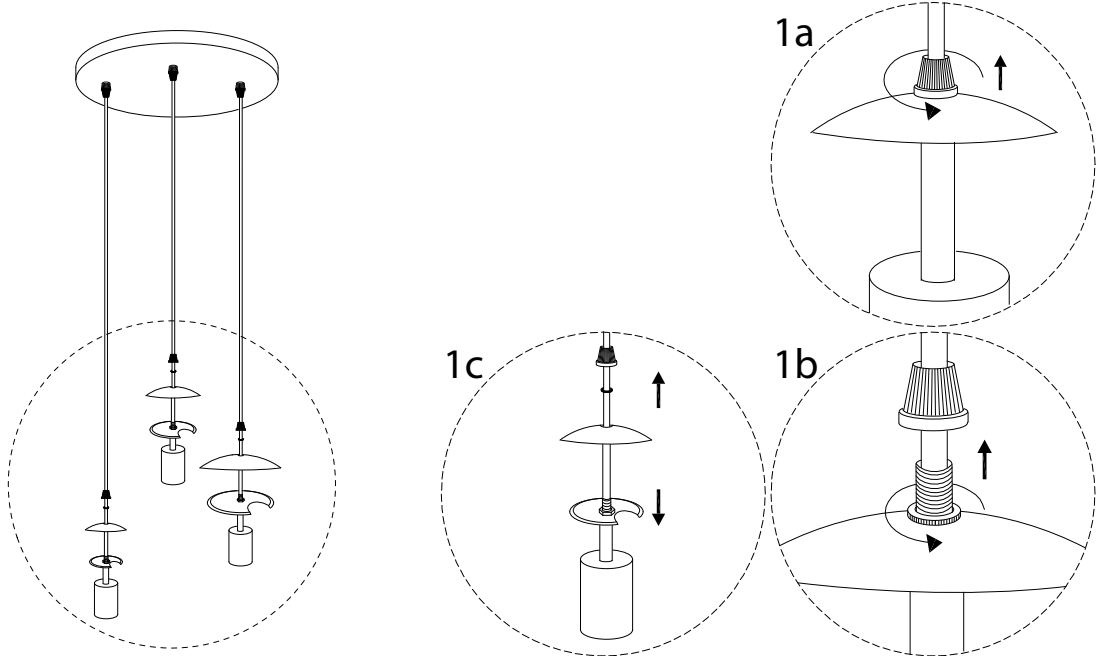


1

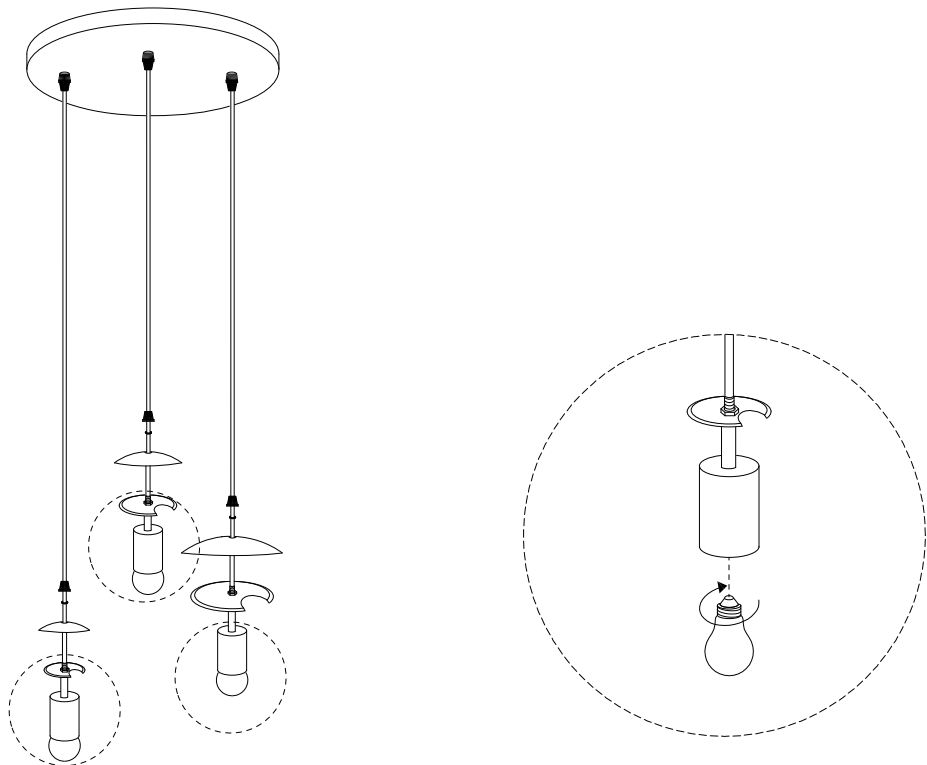
A



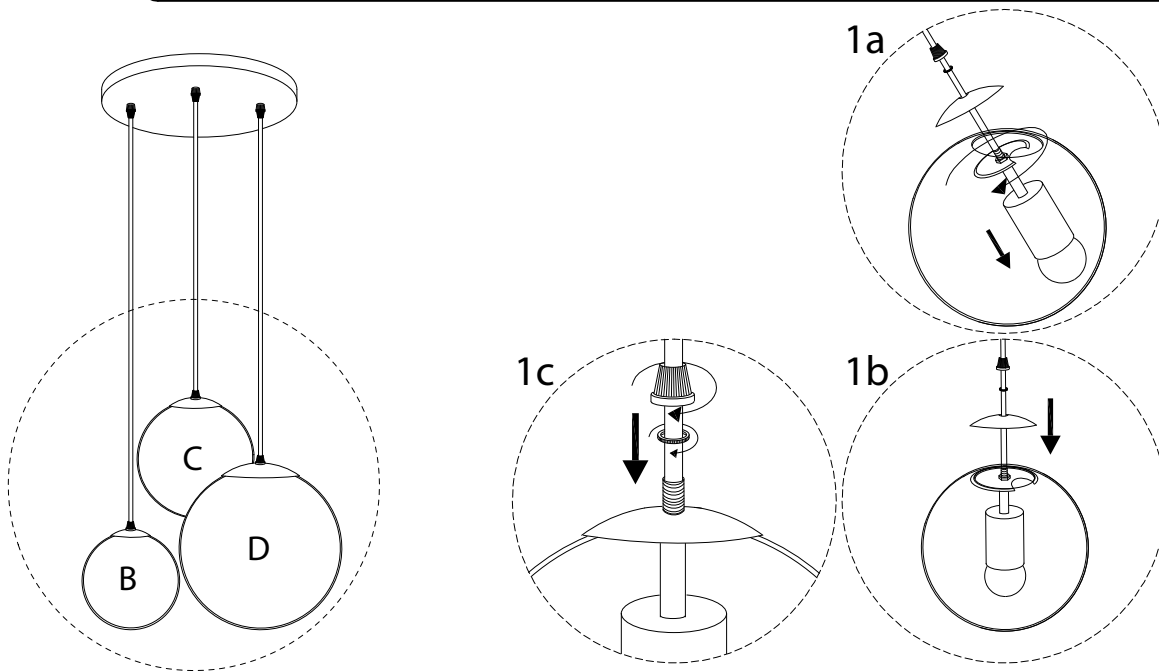
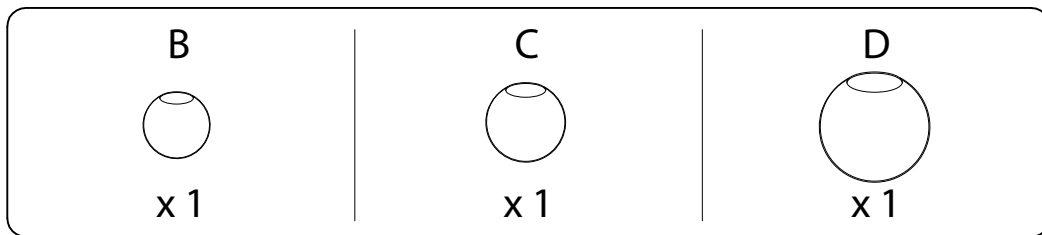
x 1



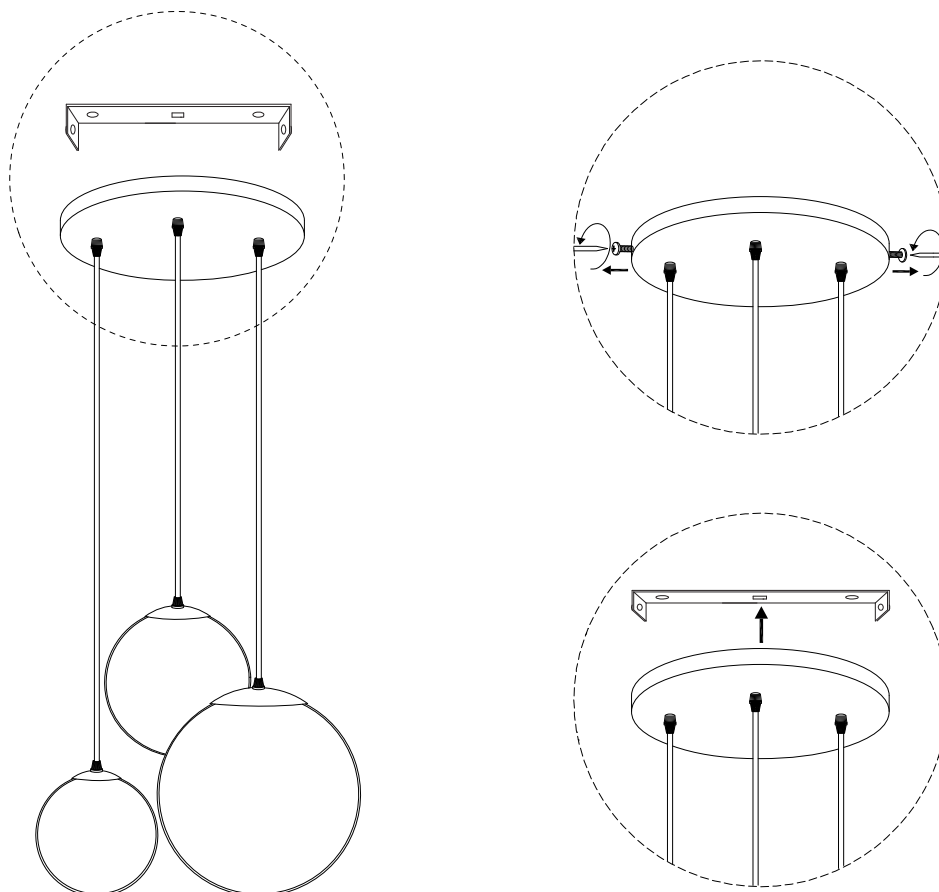
2



3



4



5

