


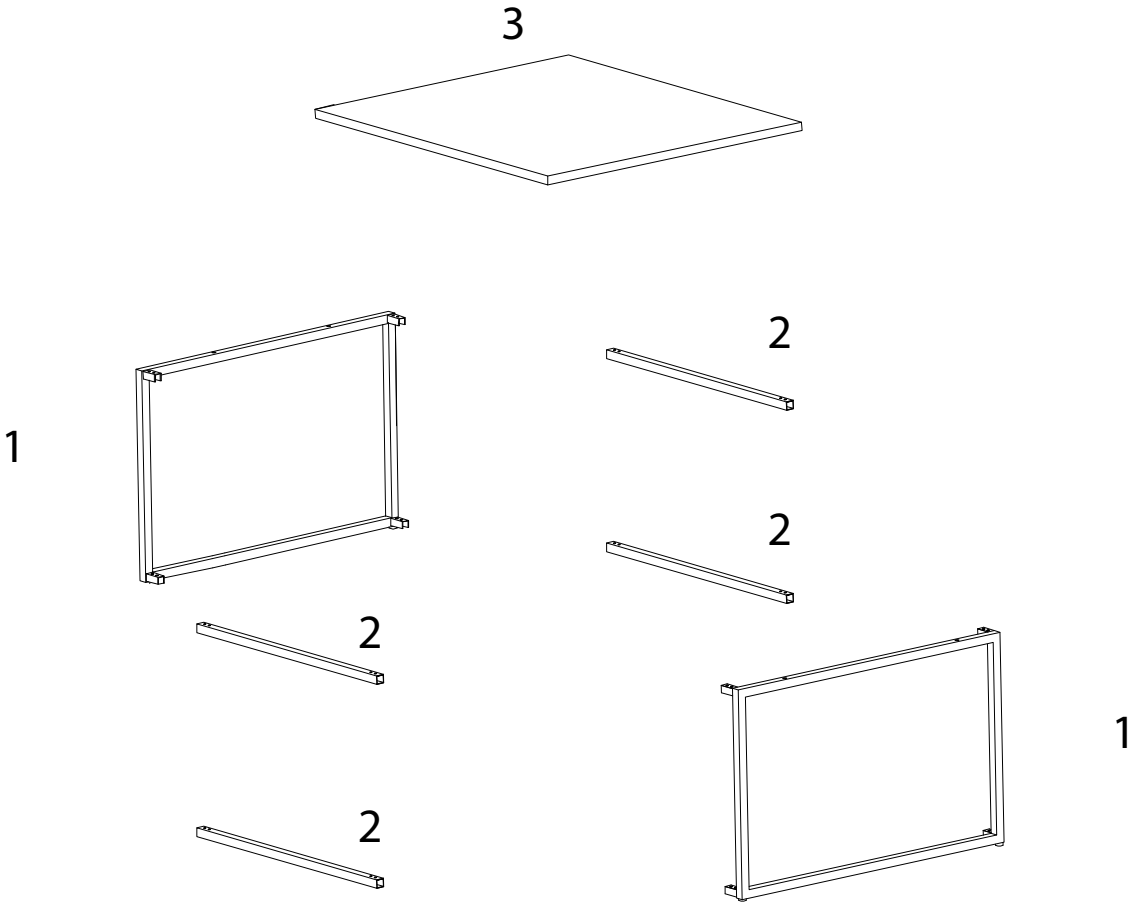
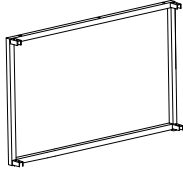
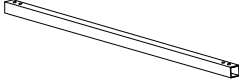
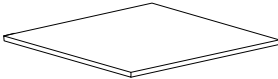


Diagram illustrating assembly steps and safety warnings:

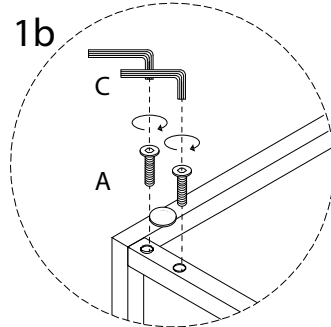
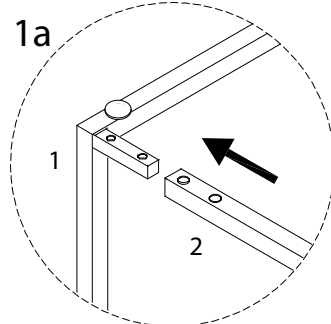
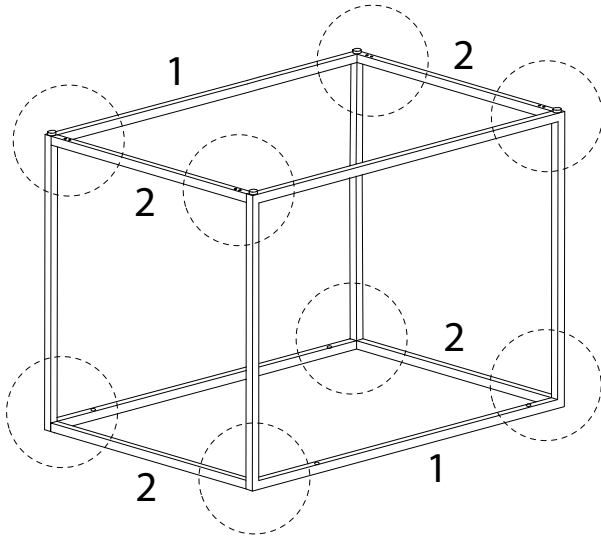
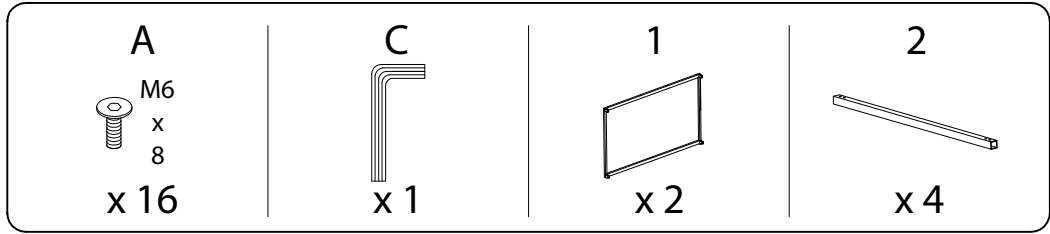
- Step 1:** Shows an L-shaped metal bracket being secured with a power drill. A warning triangle with an exclamation mark is present.
- Step 2:** Shows a rectangular panel being attached to a base. A warning triangle with an exclamation mark is present.
- Time:** A clock icon indicates a duration of 30' (30 minutes).
- Personnel:** A person icon indicates that 1 person is required for the task.

<p>A</p>  <p>M6 x 8</p> <p>x 16</p>	<p>B</p>  <p>M3.5 x 35</p> <p>x 4</p>	<p>C</p>  <p>x 1</p>
--	--	---



<p>1</p>  <p>x 2</p>	<p>2</p>  <p>x 4</p>	<p>3</p>  <p>x 1</p>
---	---	---

1



2

