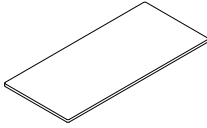
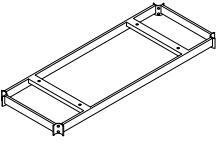
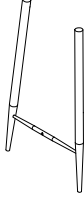
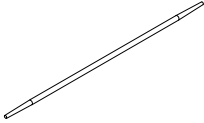
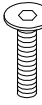
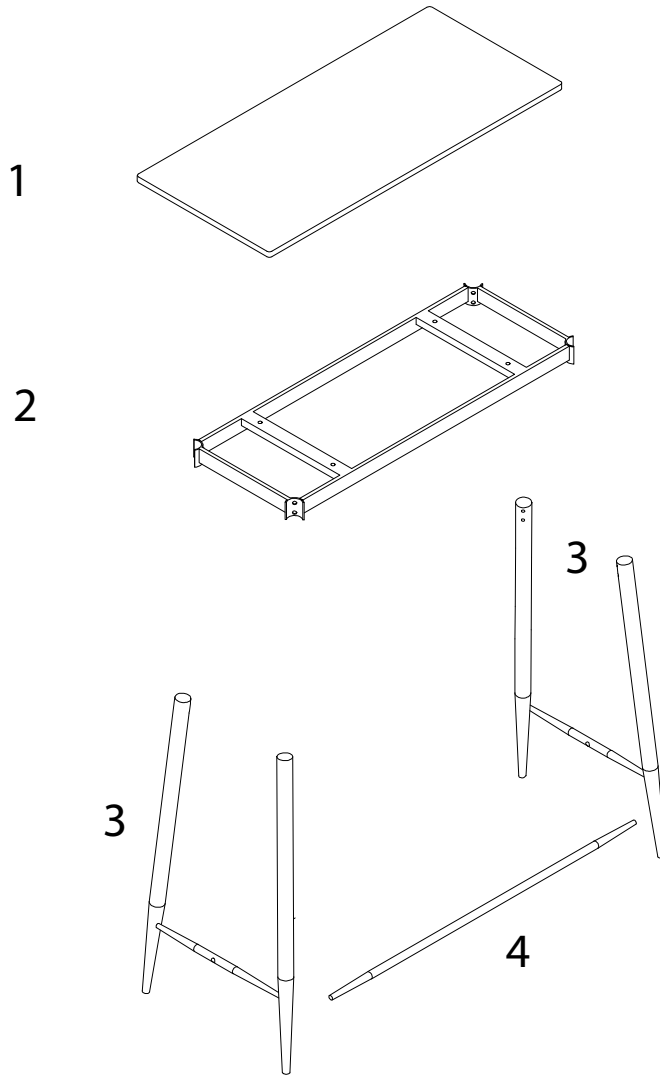


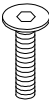




Diagram illustrating assembly instructions and safety warnings:

- Top Section:** Shows an L-shaped bracket and a power drill with a slash through it, indicating that a power drill should not be used. A warning triangle with an exclamation mark is positioned to the right. Below this is a clock icon and the text "20'", indicating a 20-minute assembly time.
- Bottom Section:** Shows a rectangular block being placed on a surface with a warning triangle and exclamation mark, and another diagram showing a block with a slash through it, indicating a specific placement or handling instruction. Below this is a person icon and the number "2", indicating that two people are required for assembly.

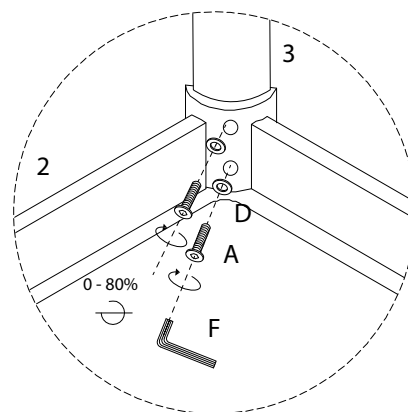
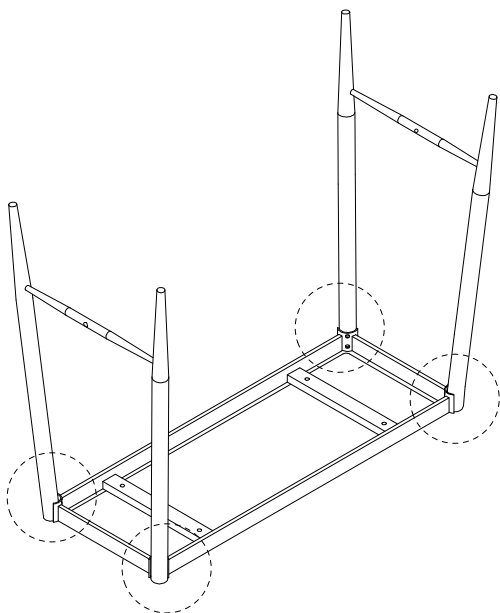
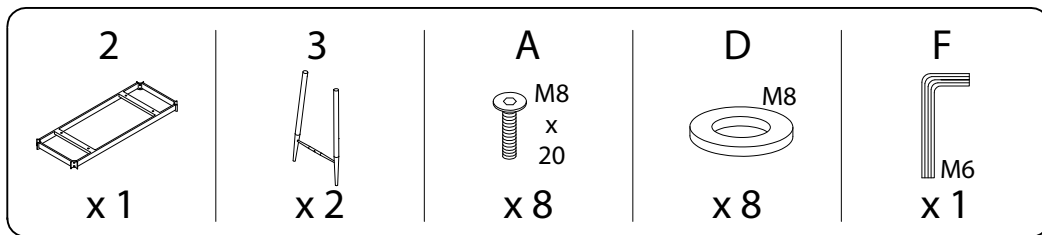
1/4

1	2	3	4	A
				 M8 x 20
x 1	x 1	x 2	x 1	x 8

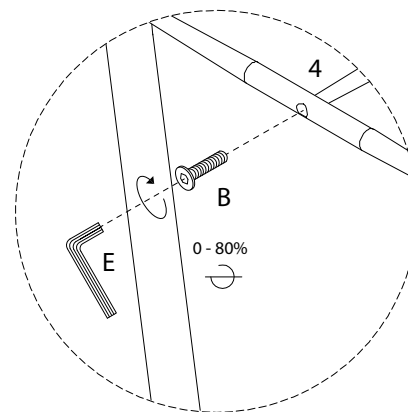
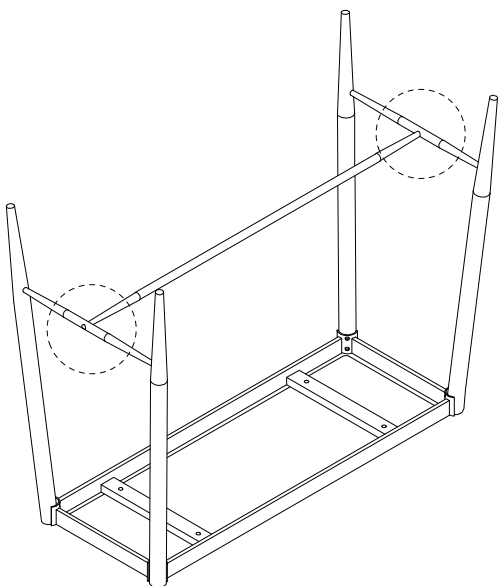
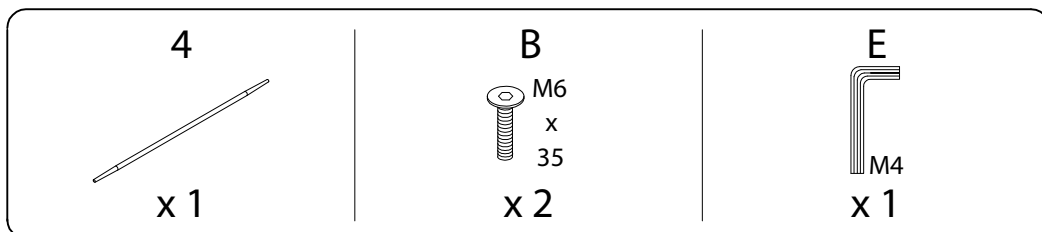


B	C	D	E	F
 M6 x 35	 M6	 M8	 M4	 M6
x 6	x 4	x 8	x 1	x 1

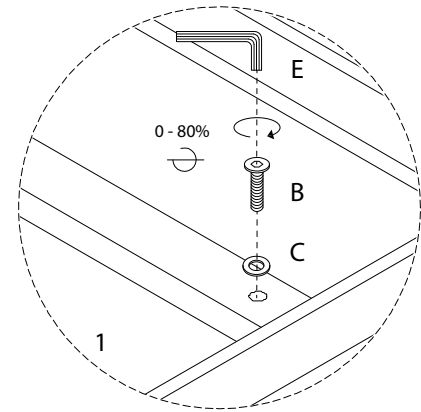
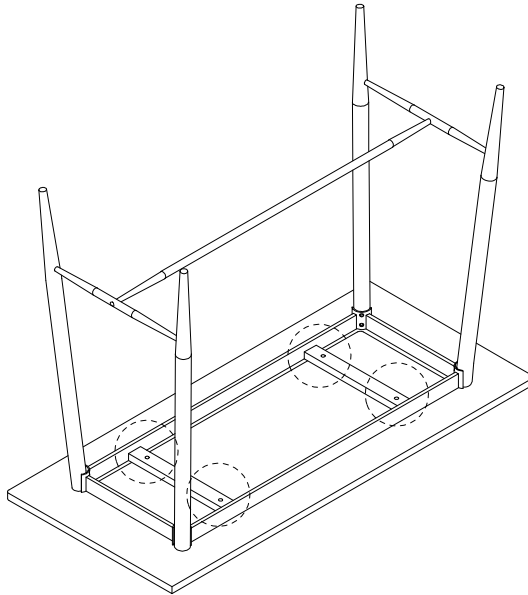
1



2



3



4

