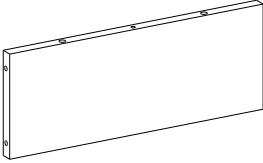
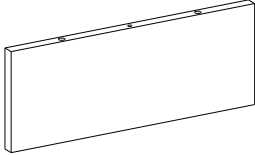
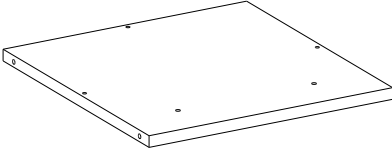
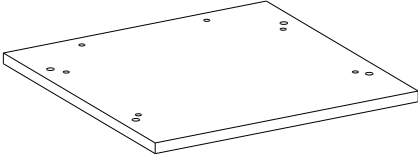
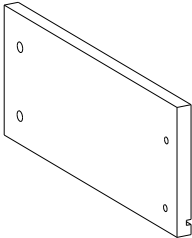
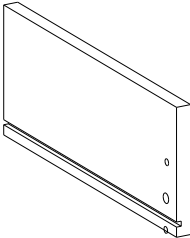
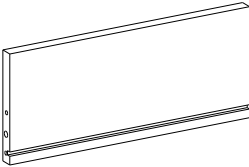
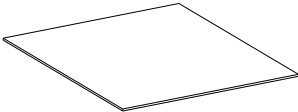
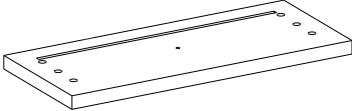
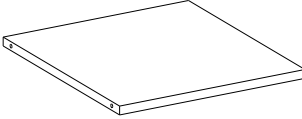
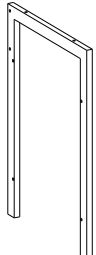
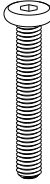

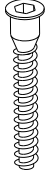
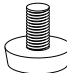
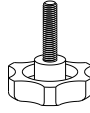


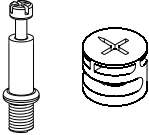


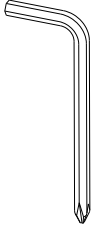
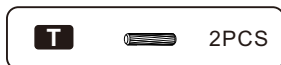
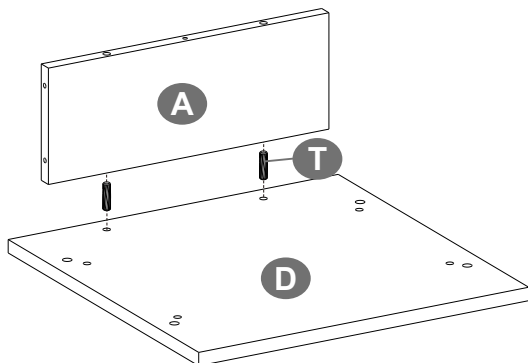


<p>A × 1</p>  <p>340 × 130 × 15 mm</p>	<p>B × 2</p>  <p>338 × 130 × 15 mm</p>
<p>C × 1</p>  <p>354 × 340 × 15 mm</p>	<p>D × 1</p>  <p>400 × 400 × 15 mm</p>
<p>E × 1</p>  <p>335 × 128 × 15 mm</p>	<p>F × 1</p>  <p>335 × 128 × 15 mm</p>
<p>G × 1</p>  <p>276 × 127 × 15 mm</p>	<p>H × 1</p>  <p>330 × 287 × 3 mm</p>

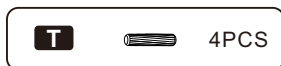
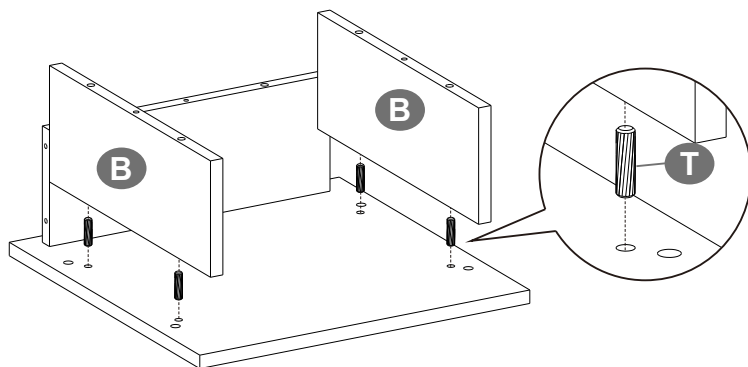
<p>I × 1</p>  <p>337 × 143 × 15 mm</p>	<p>J × 1</p>  <p>340 × 320 × 15 mm</p>
<p>K × 2</p>  <p>525 × 370 × 15 mm</p>	<p>L 4+1</p>  <p>M6 × 40 mm</p>
<p>M 7+1</p>  <p>ST5 × 48 mm</p>	<p>N 12+1</p>  <p>ST7 × 48 mm</p>
<p>O × 4</p> 	<p>P × 2</p> 

<p>Q × 1</p> 	<p>R 1+1</p>  <p style="text-align: center;">M4 × 20 mm</p>
<p>S 4+1</p> 	<p>T 16+1</p> 
<p>U × 1</p> 	<p>V × 1</p> 

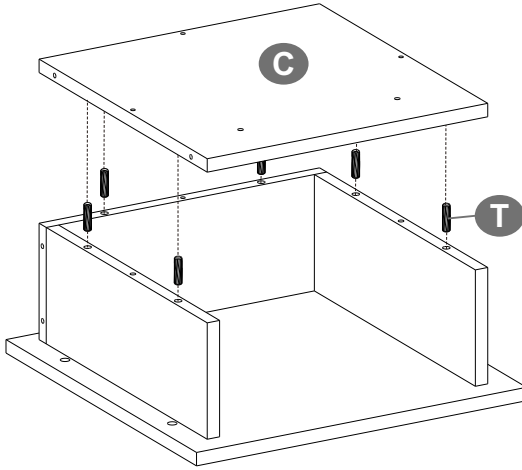
1



2



3

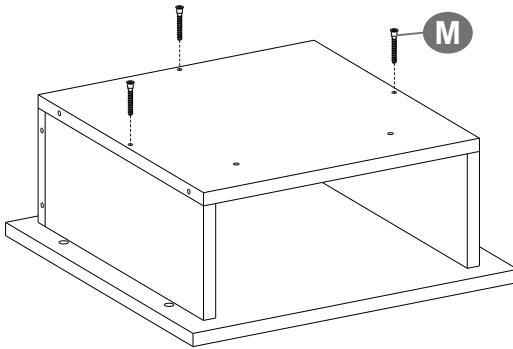


T



6PCS

4

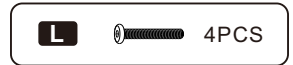
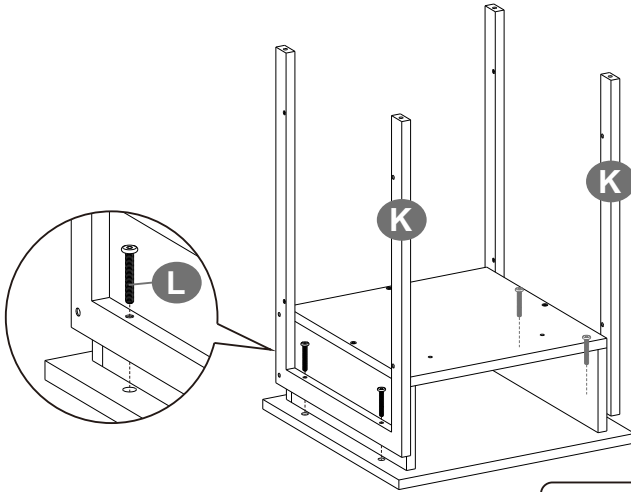


M

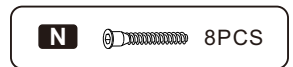
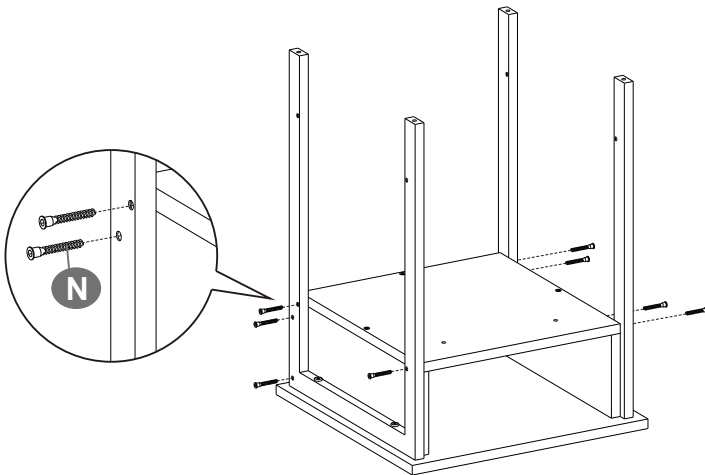


3PCS

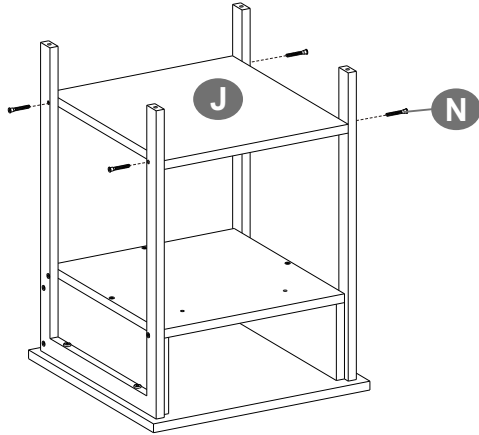
5



6

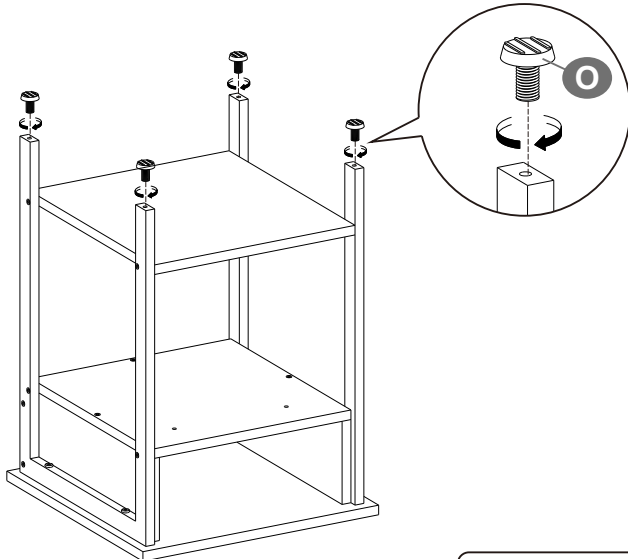


7



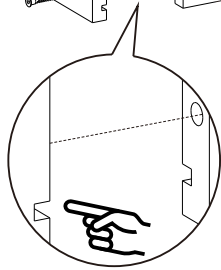
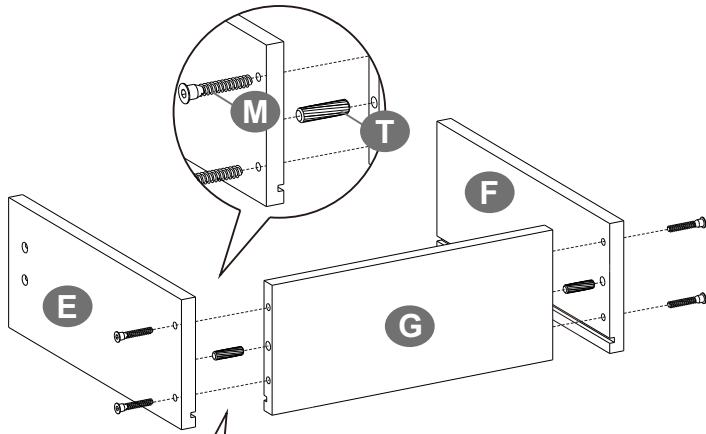
N  4PCS



8



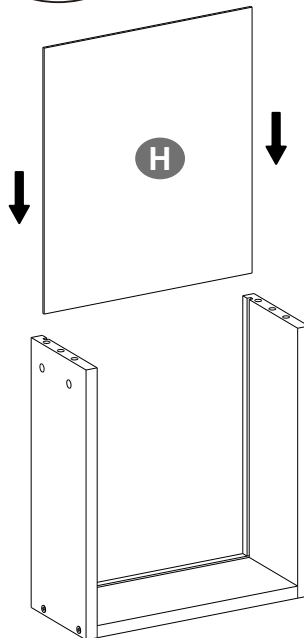
O  4PCS

9

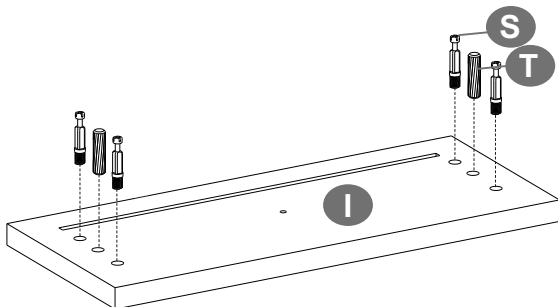


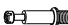

M		4PCS
T		2PCS

10

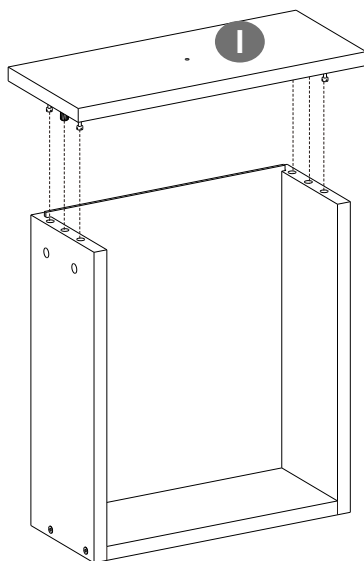


11

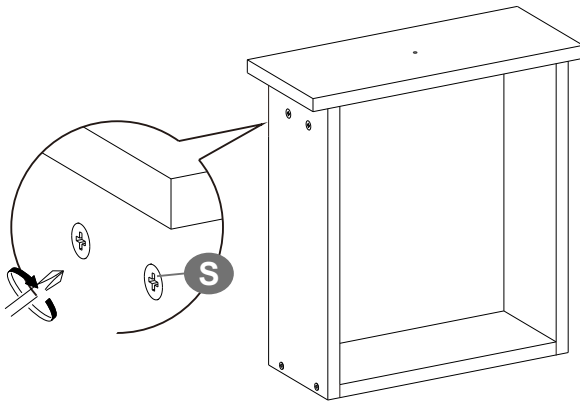


S		4PCS
T		2PCS

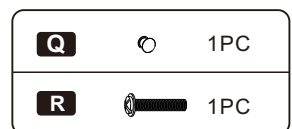
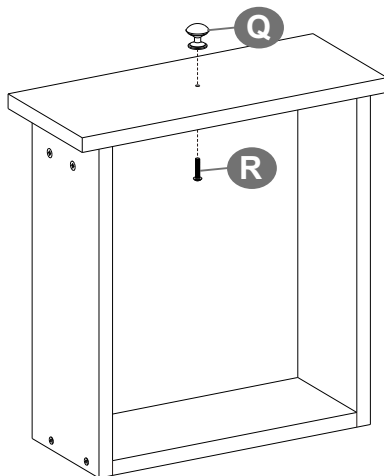
12



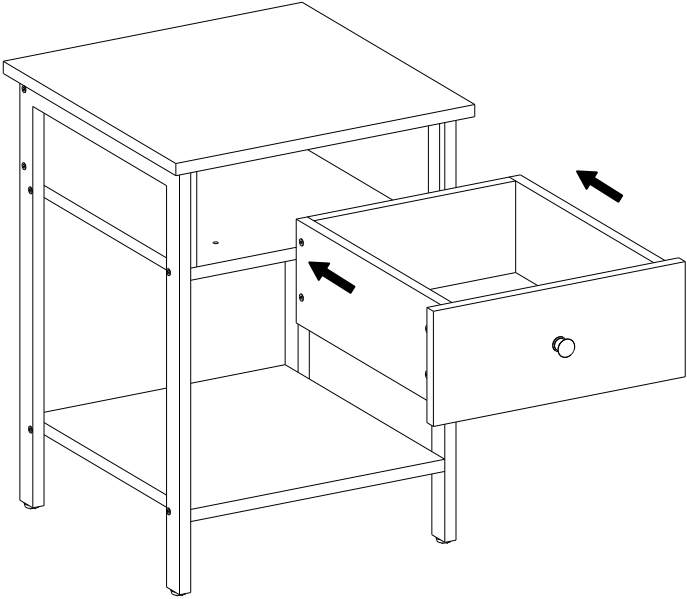
13



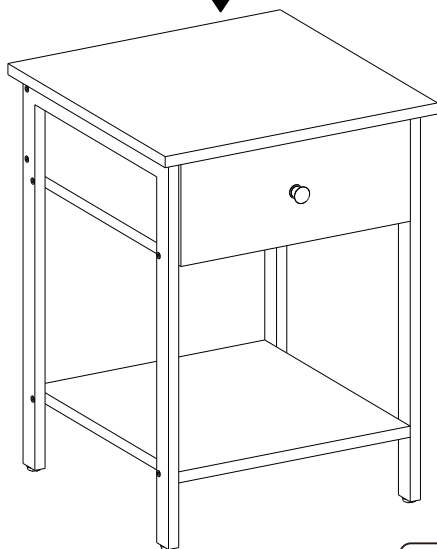
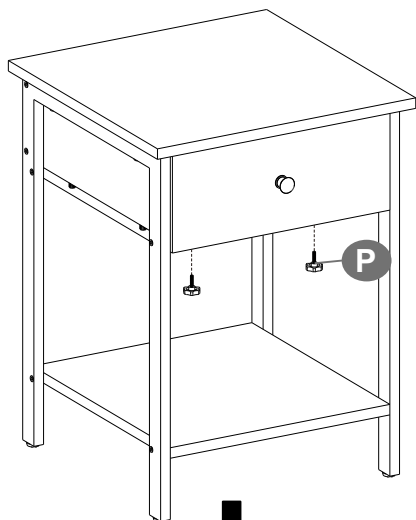
14




15



16



P  2PCS