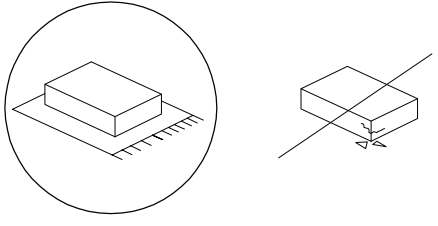


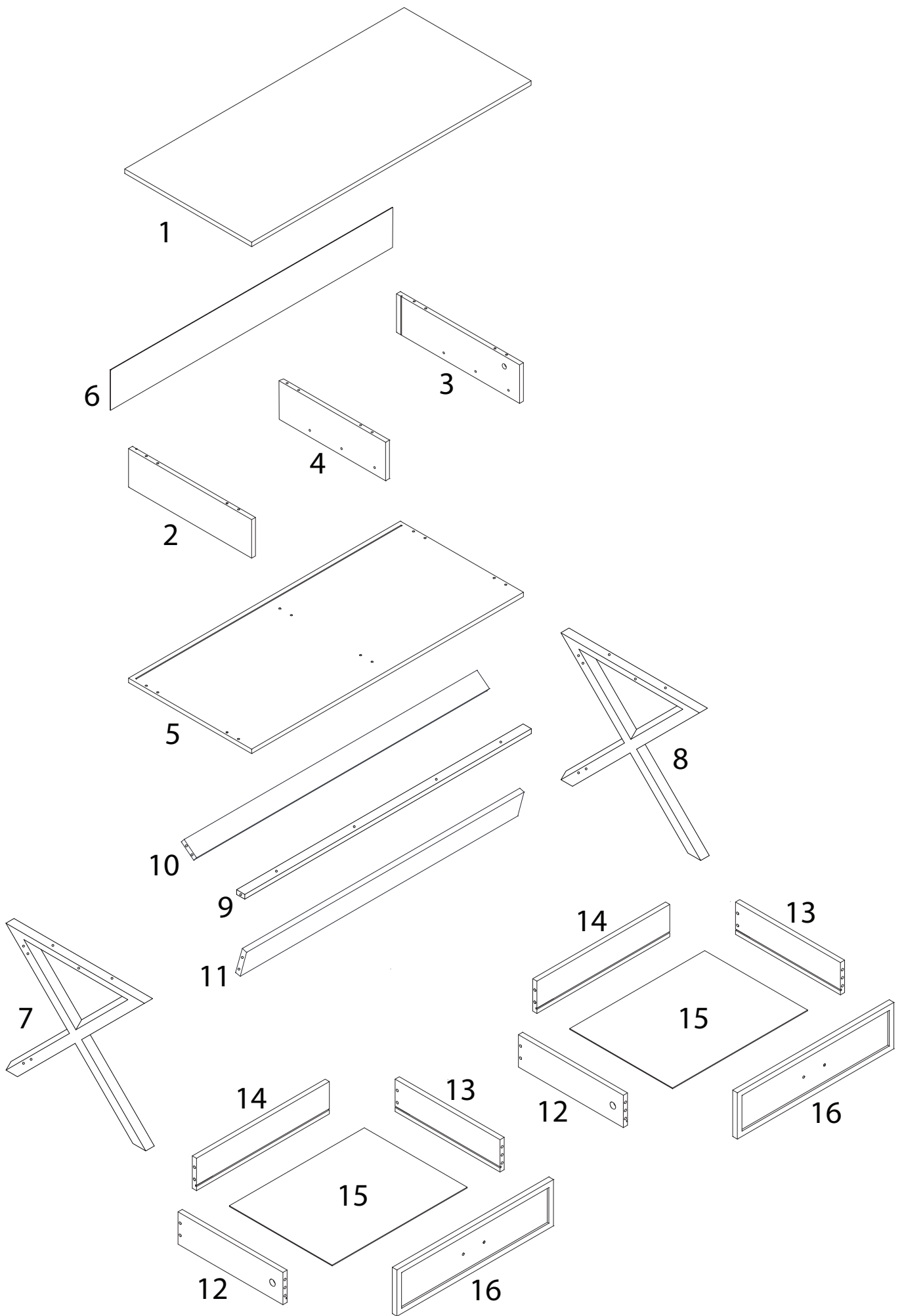
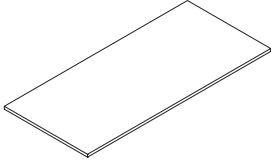
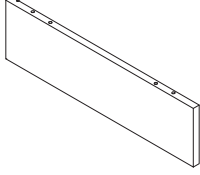
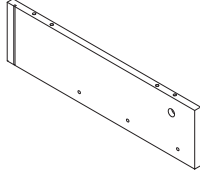
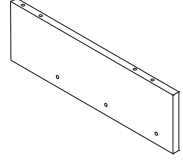
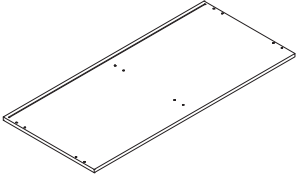
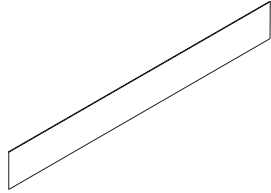
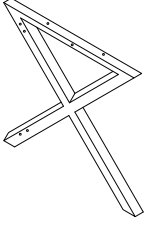
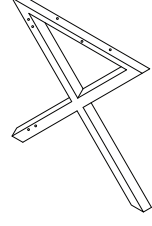
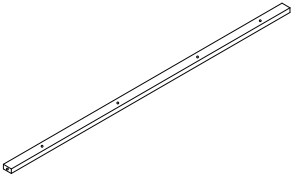
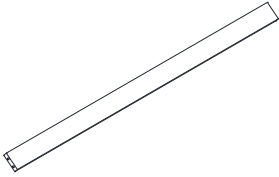
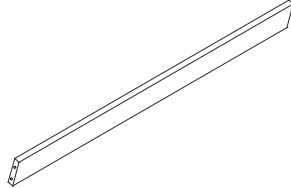
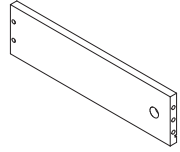
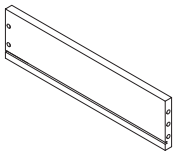
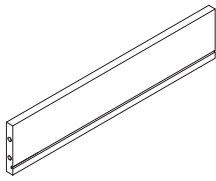
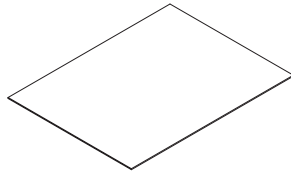
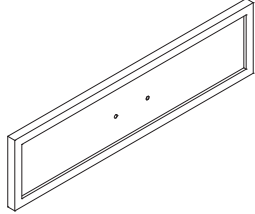
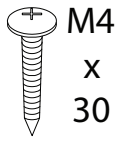

		60'
		
		1



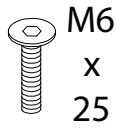
<p>1</p>  <p>x 1</p>	<p>2</p>  <p>x 1</p>	<p>3</p>  <p>x 1</p>	<p>4</p>  <p>x 1</p>
<p>5</p>  <p>x 1</p>	<p>6</p>  <p>x 1</p>	<p>7</p>  <p>x 1</p>	<p>8</p>  <p>x 1</p>
<p>9</p>  <p>x 1</p>	<p>10</p>  <p>x 1</p>	<p>11</p>  <p>x 1</p>	<p>12</p>  <p>x 2</p>
<p>13</p>  <p>x 2</p>	<p>14</p>  <p>x 2</p>	<p>15</p>  <p>x 2</p>	<p>16</p>  <p>x 2</p>

A



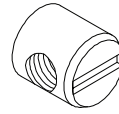
x 4

B



x 4

C



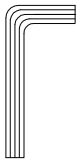
x 8

D



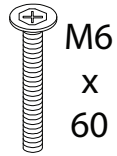
x 10

E



x 1

F



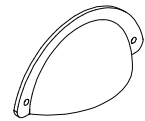
x 10

G



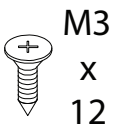
x 4

H



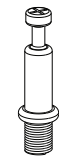
x 2

I



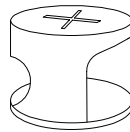
x 28

J



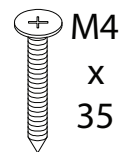
x 10

K



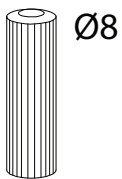
x 10

L



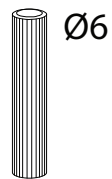
x 14

M



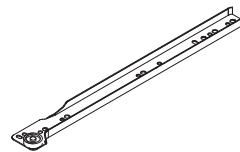
x 12

N



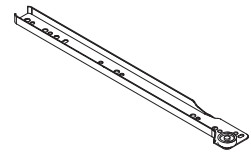
x 8

O



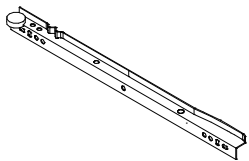
x 2

P



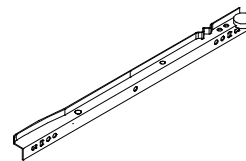
x 2

R



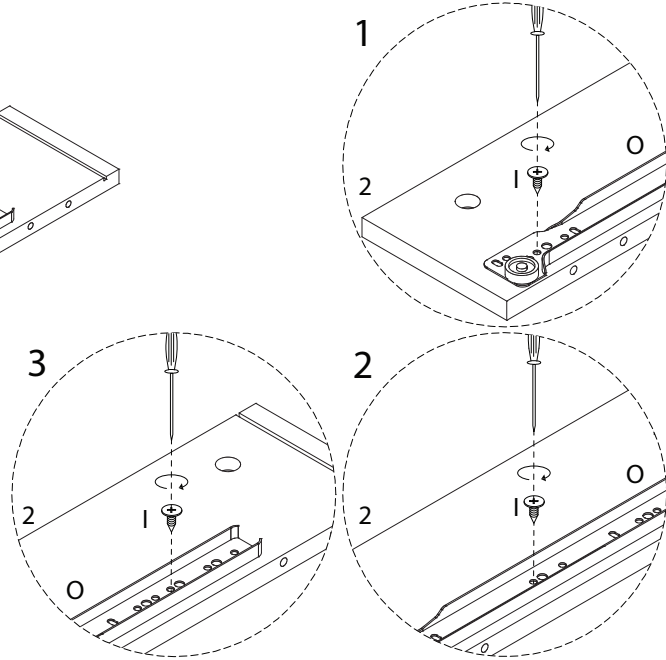
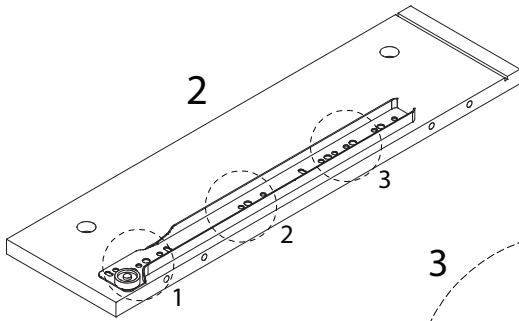
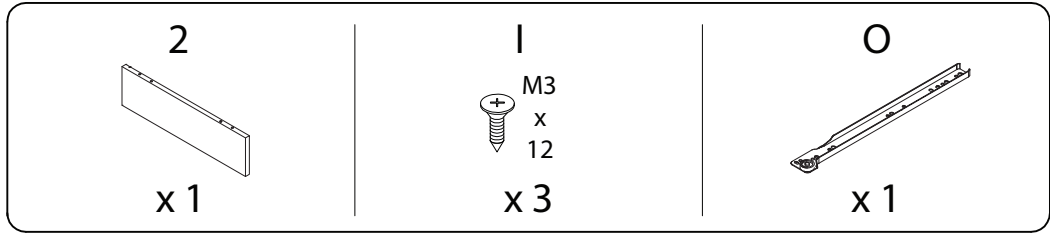
x 2

S

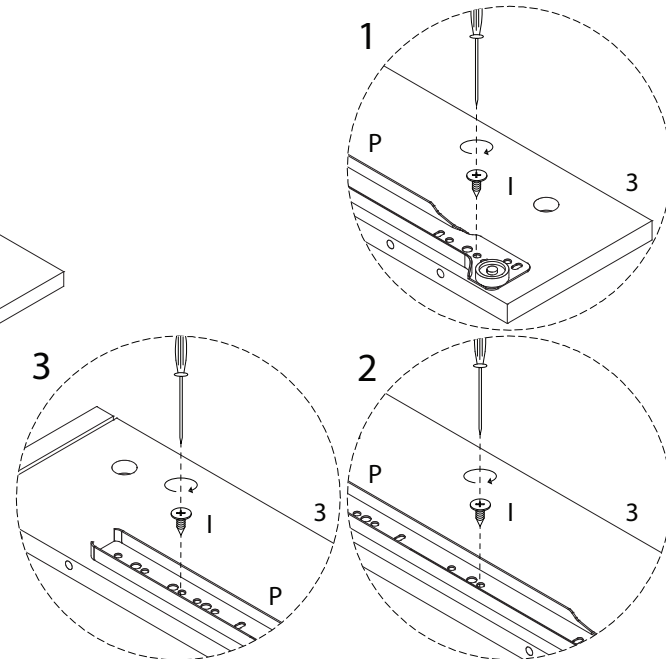
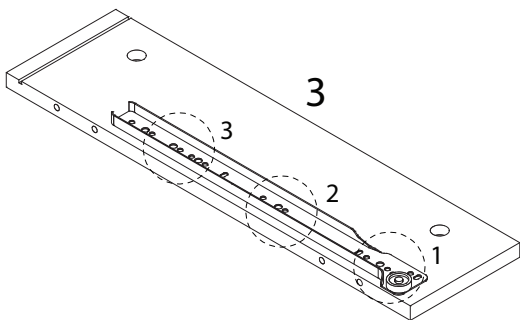
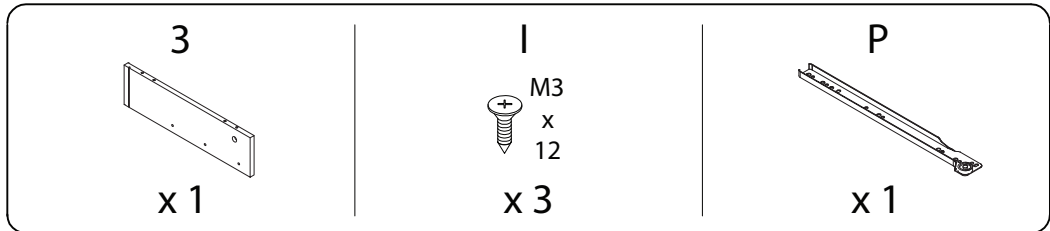


x 2

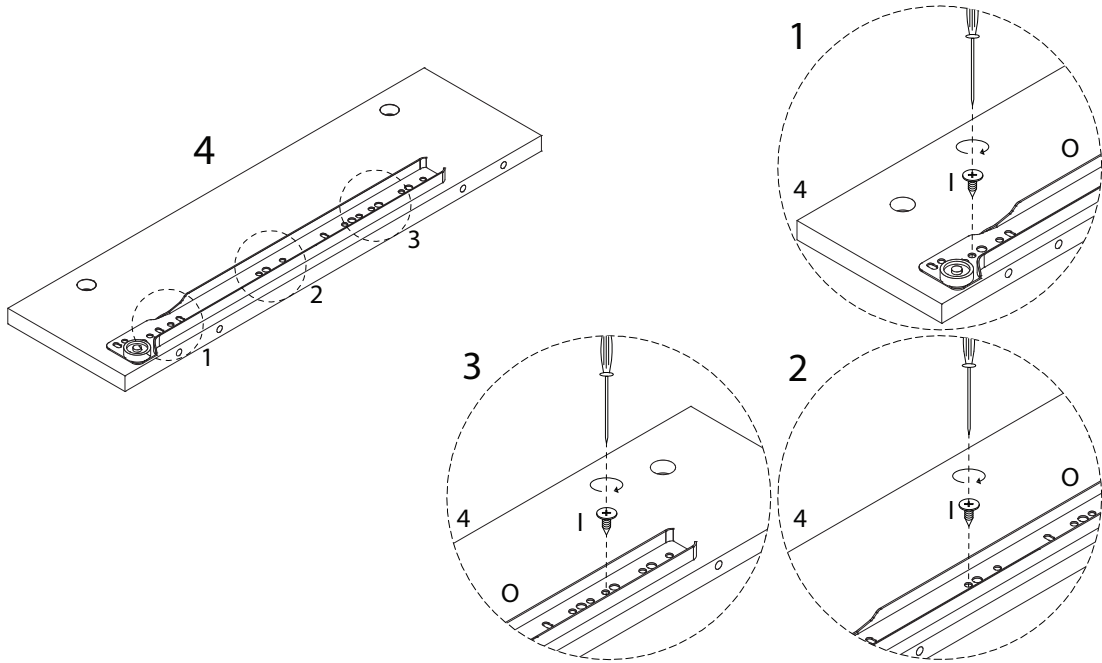
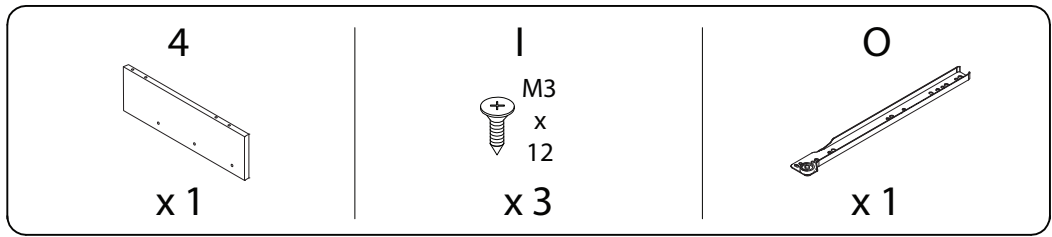
1



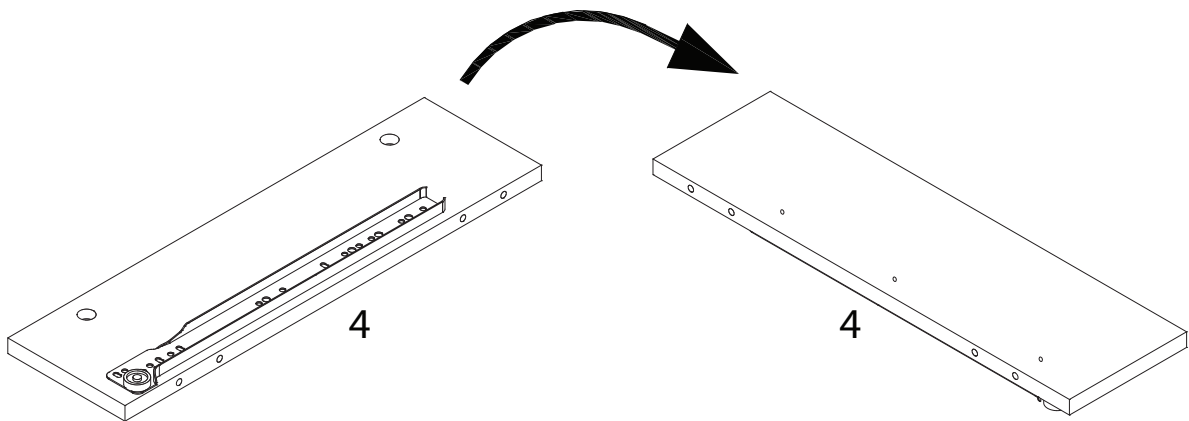
2



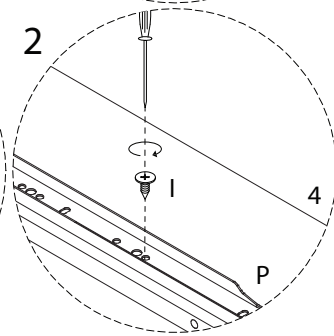
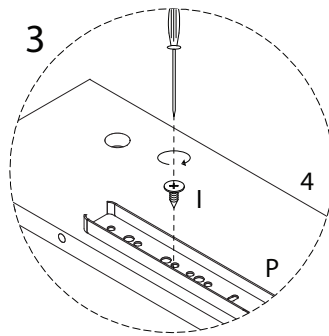
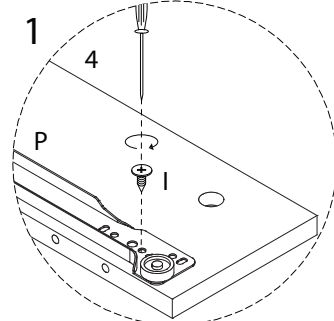
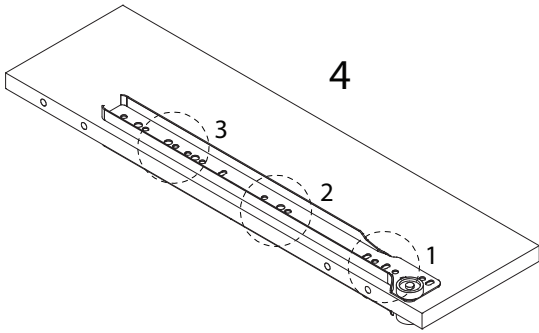
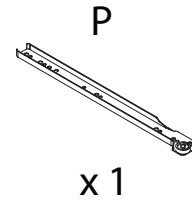
3



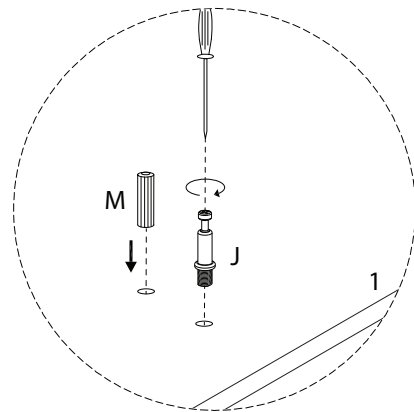
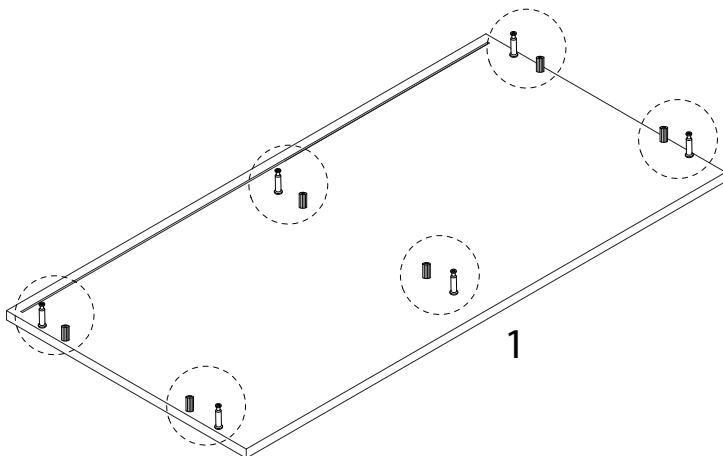
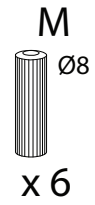
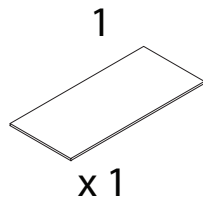
4



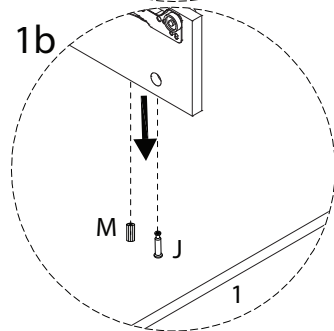
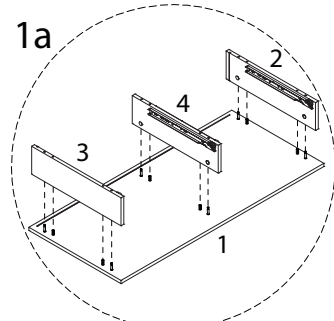
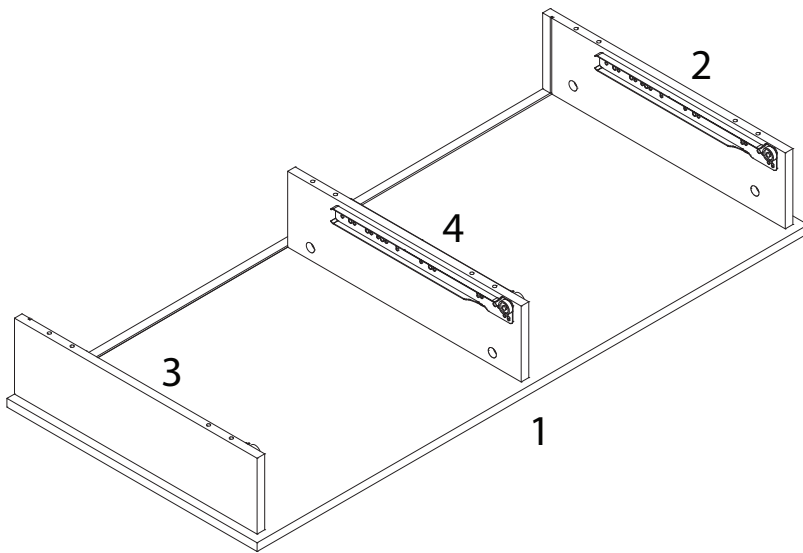
5



6



7

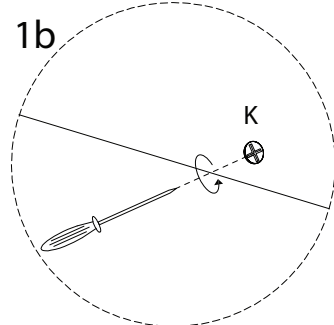
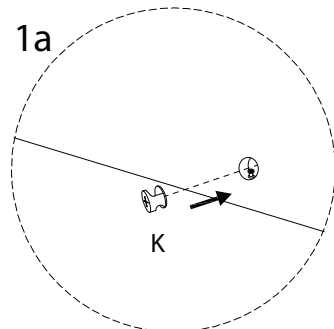
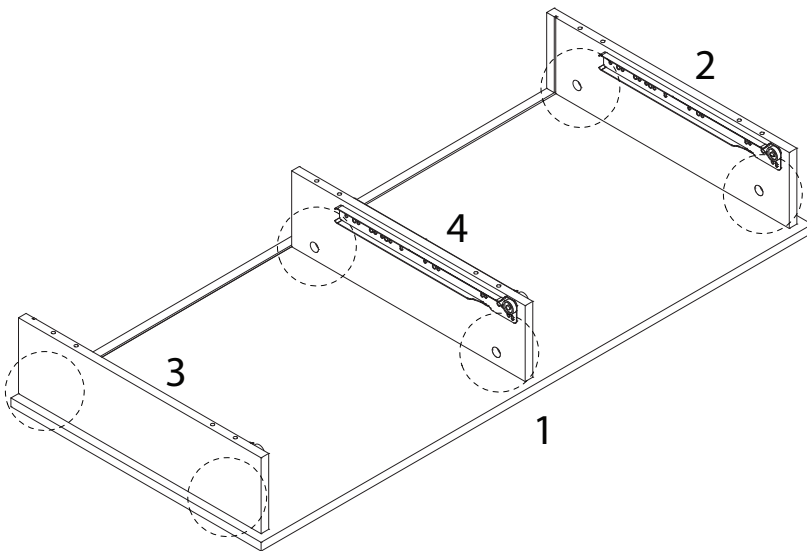


8

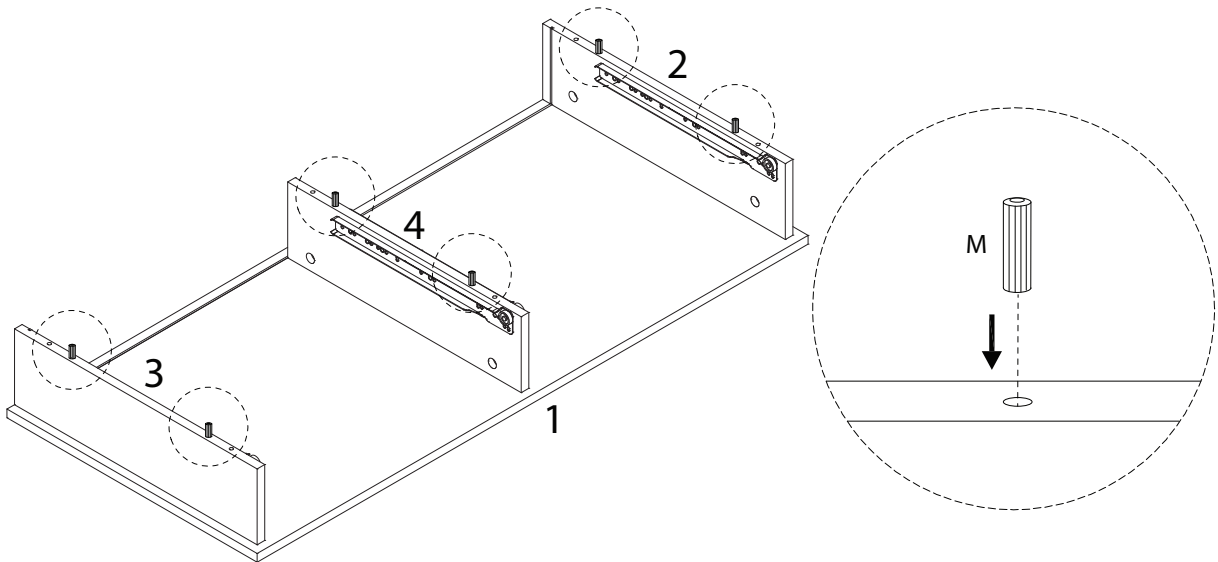
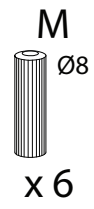
K



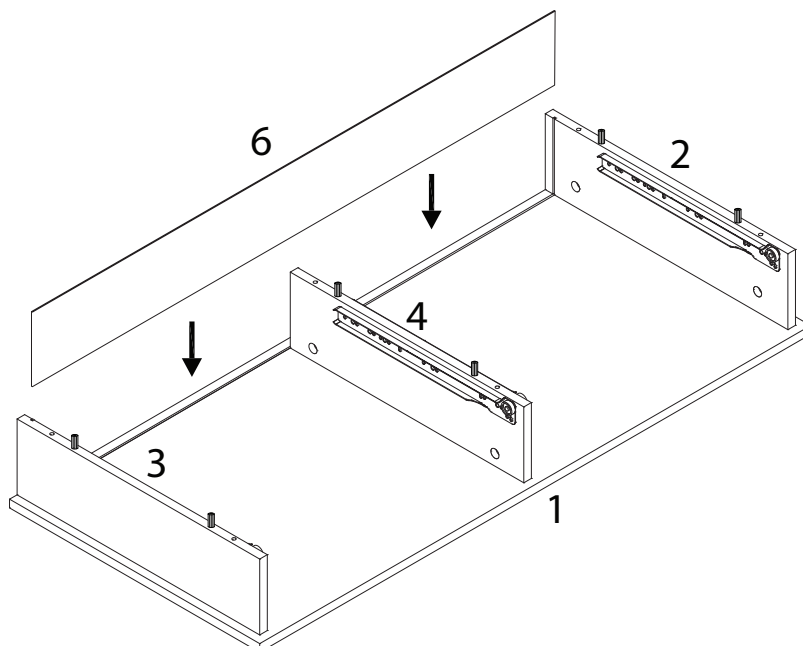
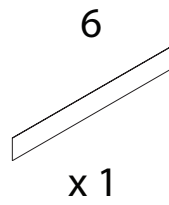
x 6



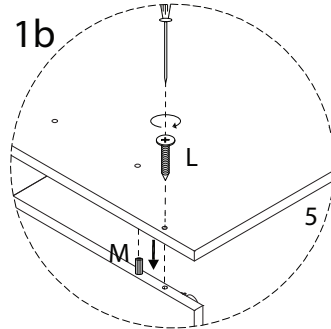
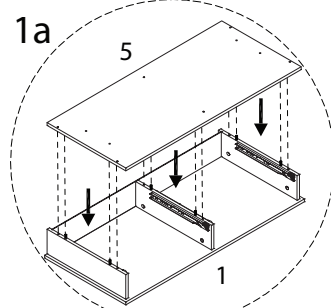
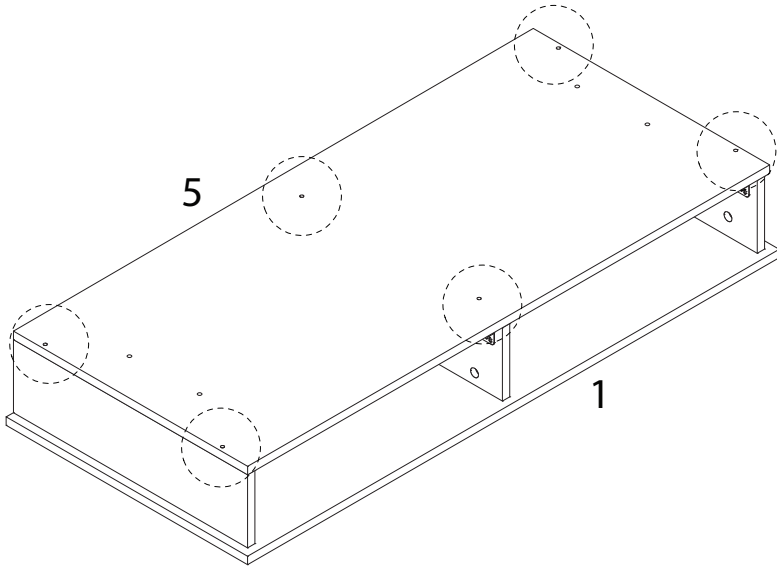
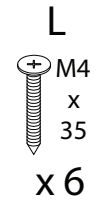
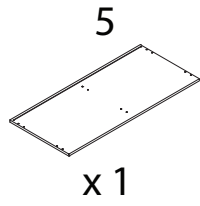
9



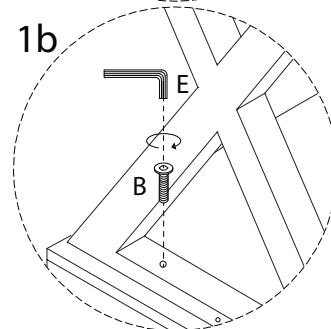
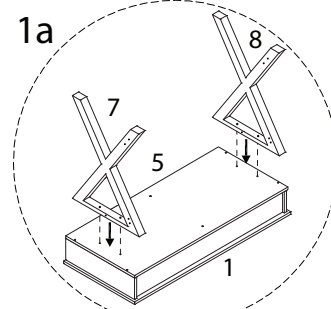
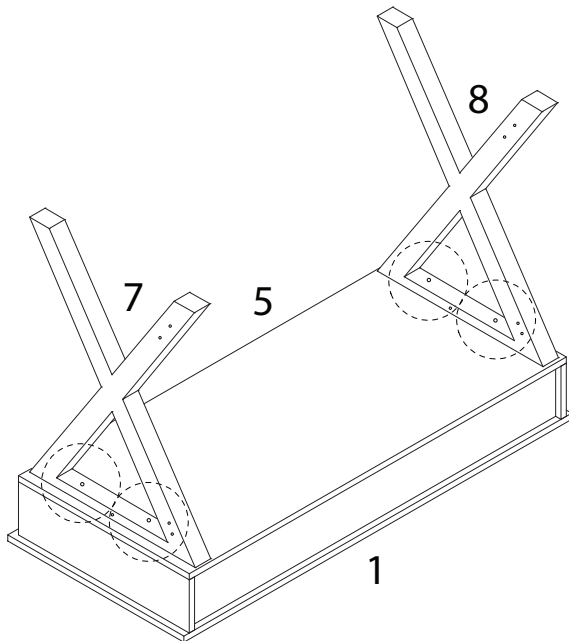
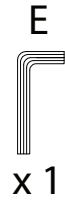
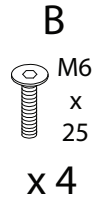
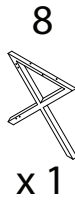
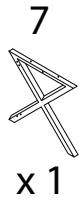
10



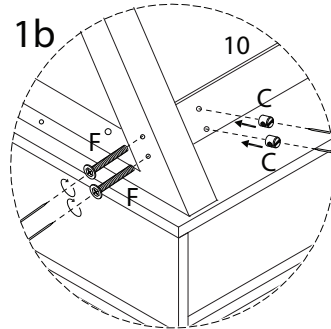
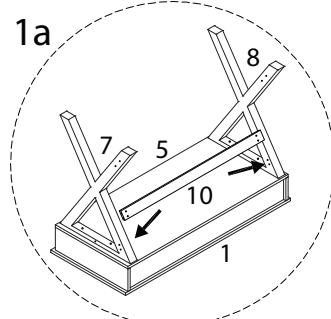
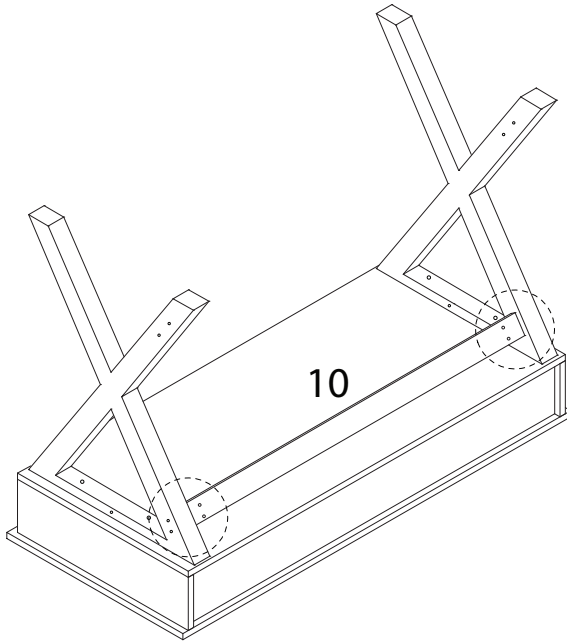
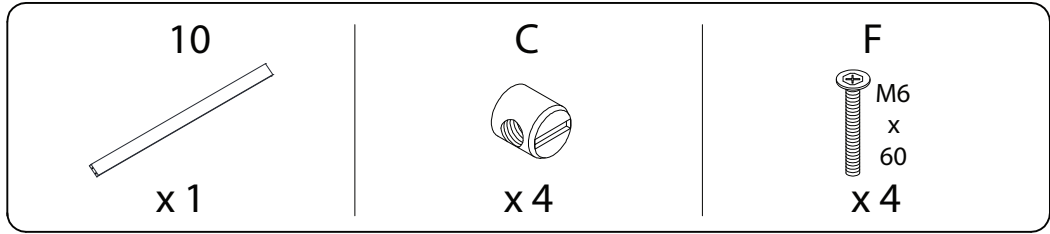
11



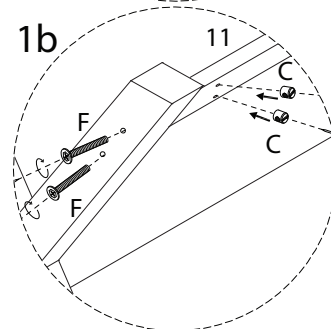
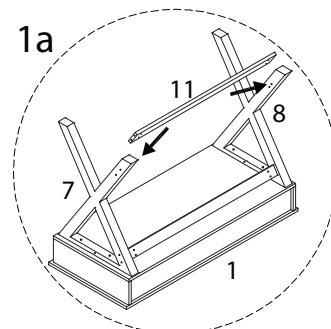
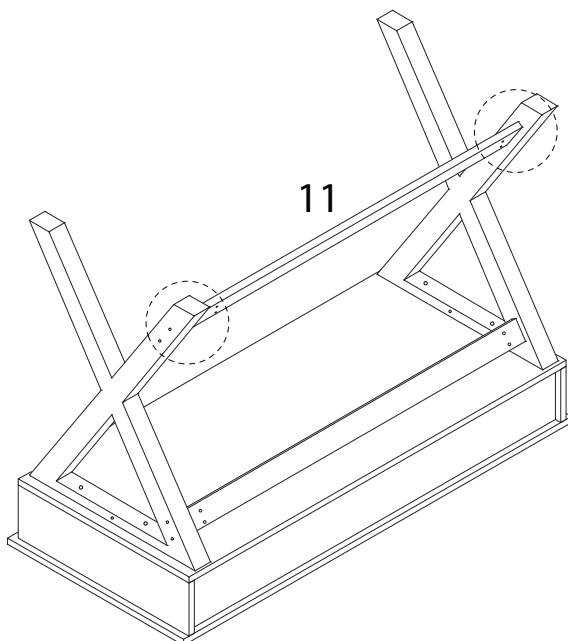
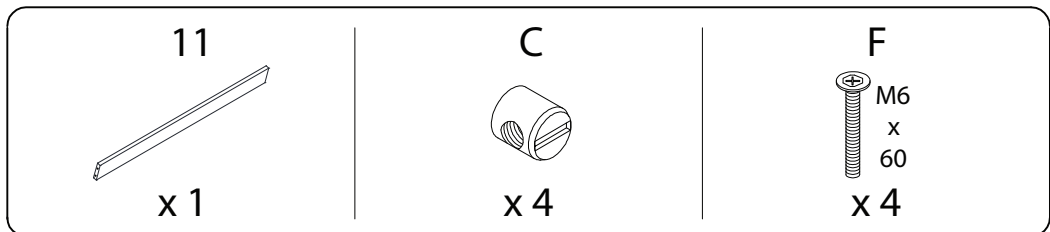
12



13

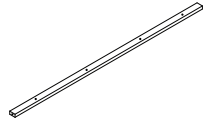


14



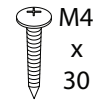
15

9

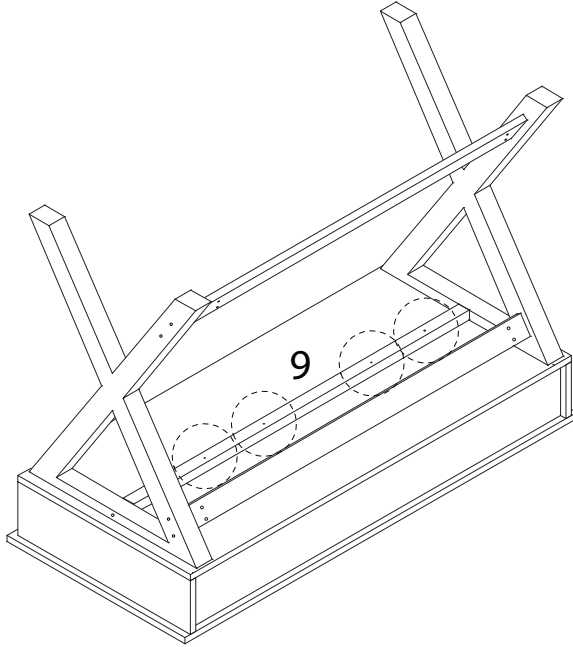


x 1

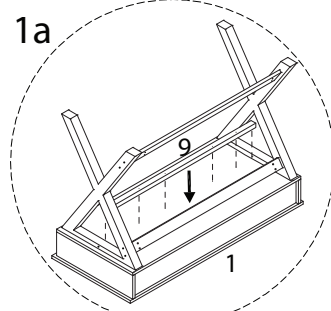
A



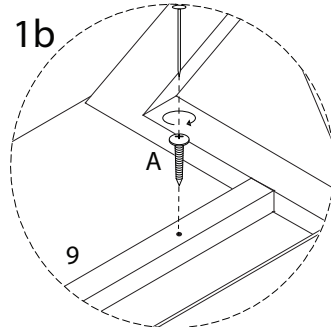
x 4



1a

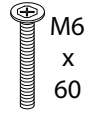


1b

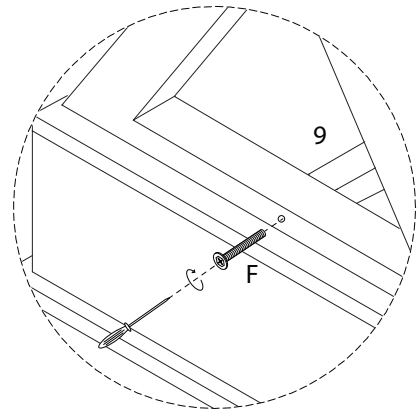
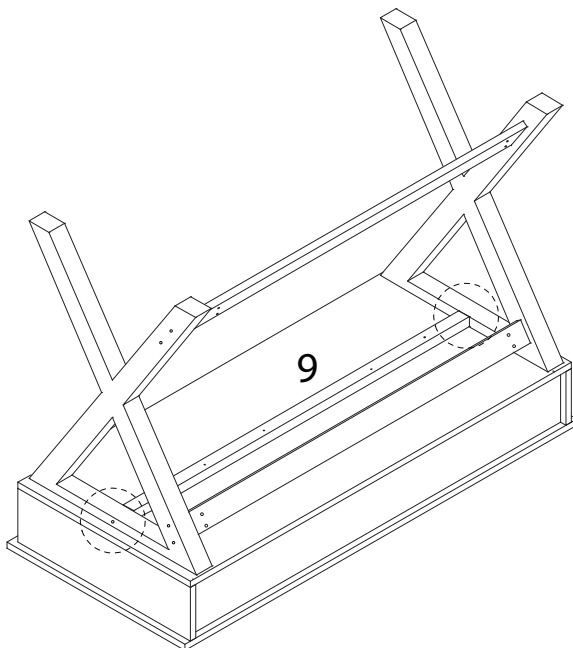


16

F

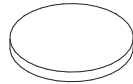


x 2

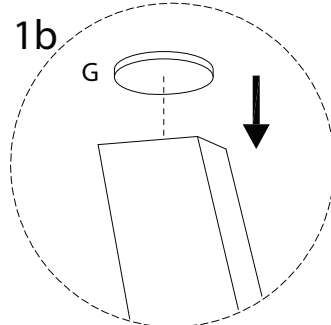
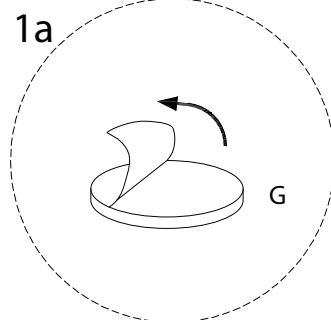
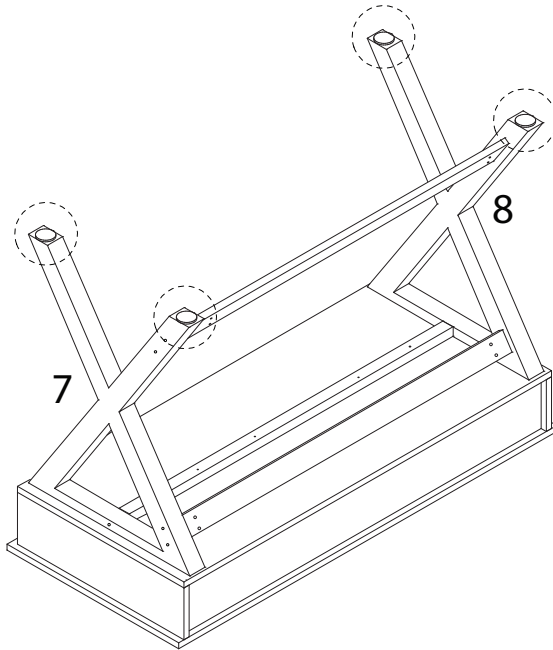


17

G

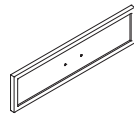


x 4



18 x 2

16



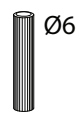
x 1

J

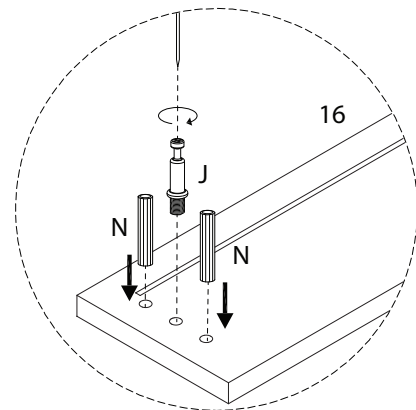
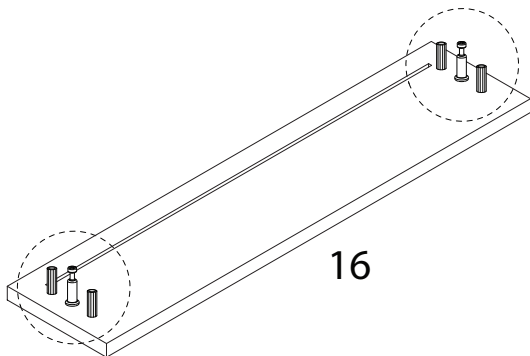


x 2

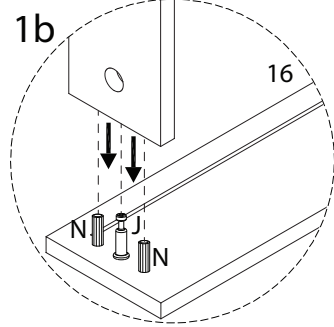
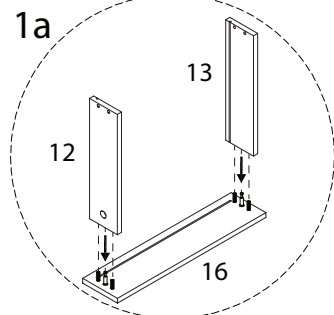
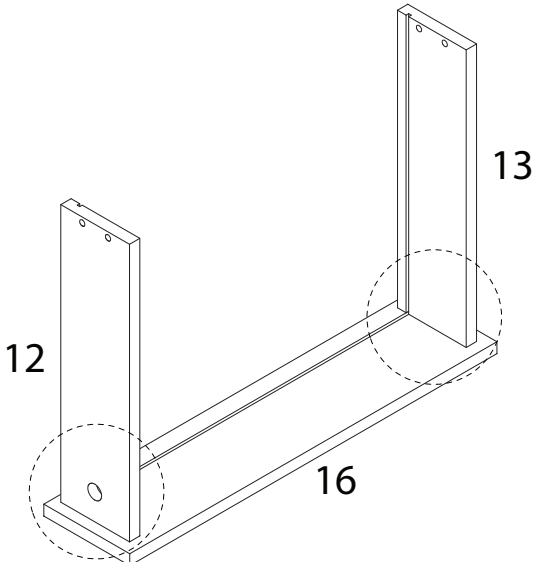
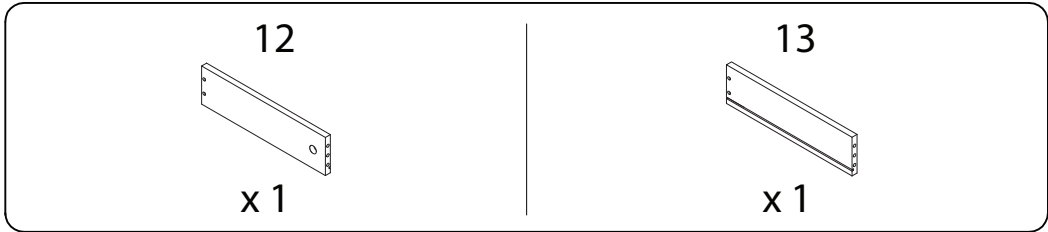
N



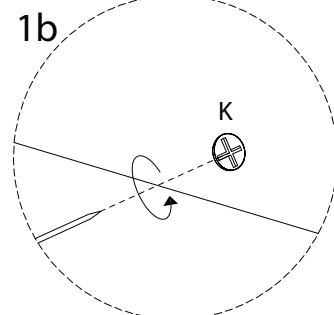
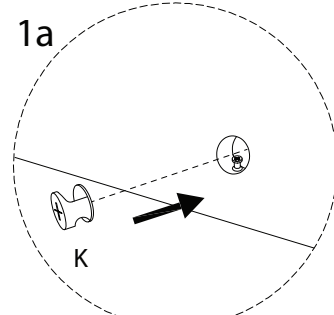
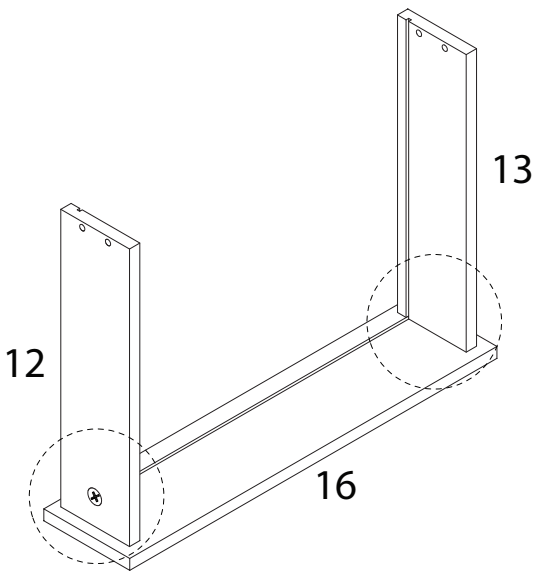
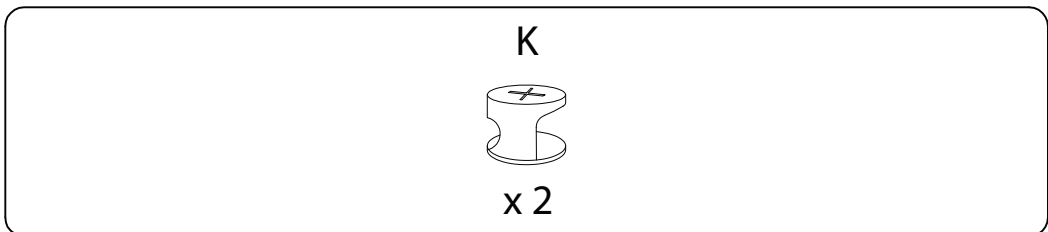
x 4



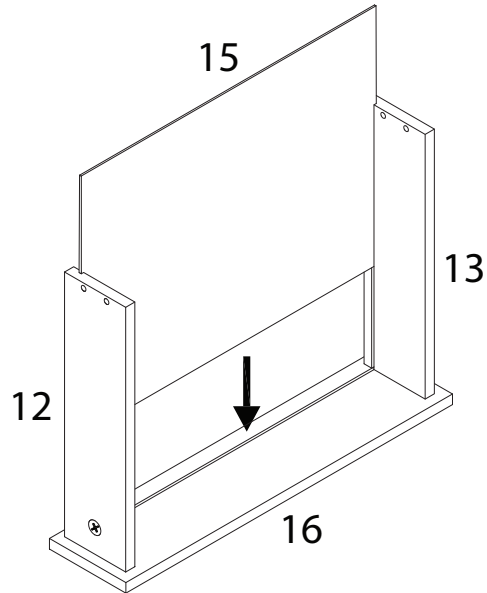
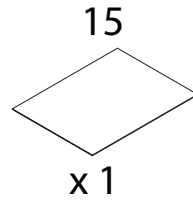
19 x 2



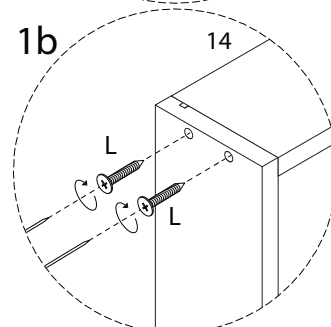
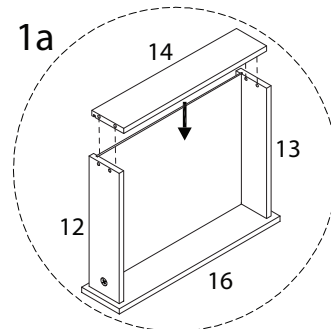
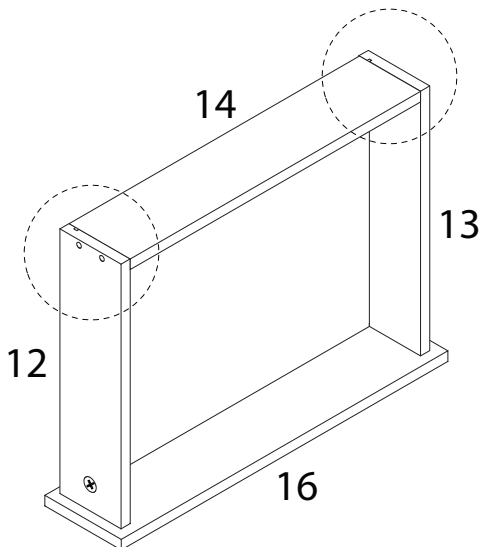
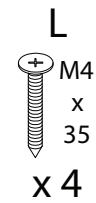
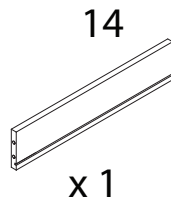
20 x 2



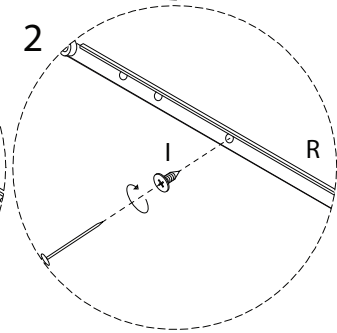
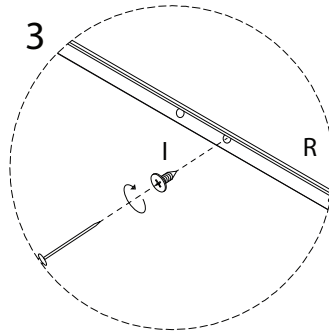
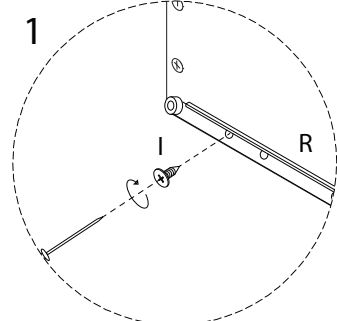
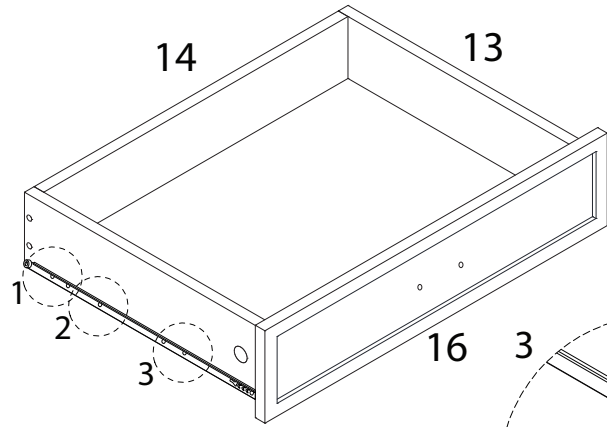
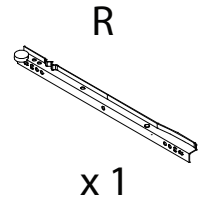
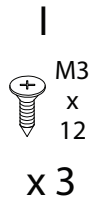
21 x 2



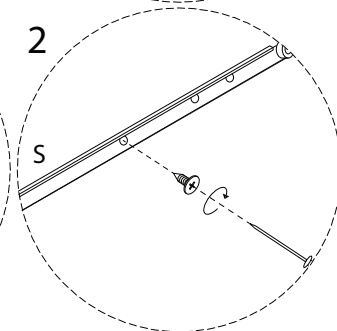
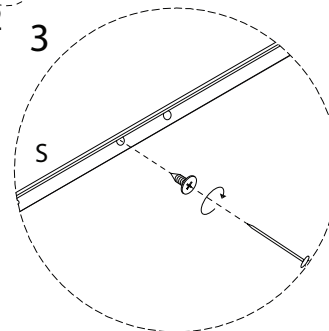
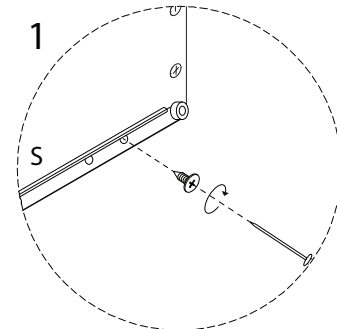
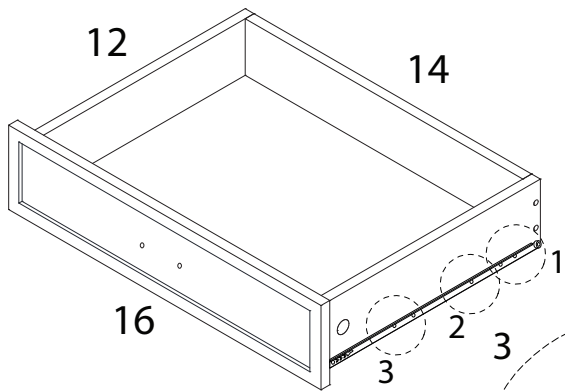
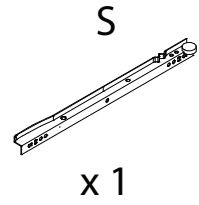
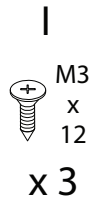
22 x 2



23 x 2

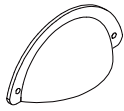


24 x 2



25 x 2

H



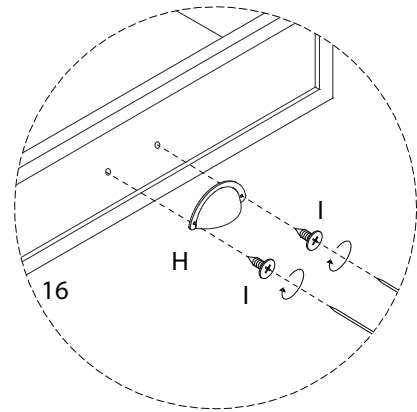
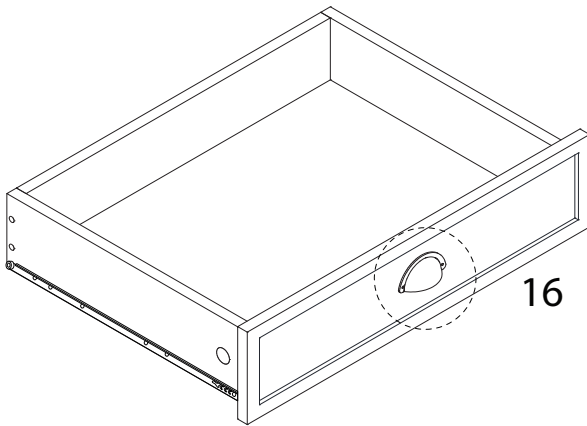
x 1

I

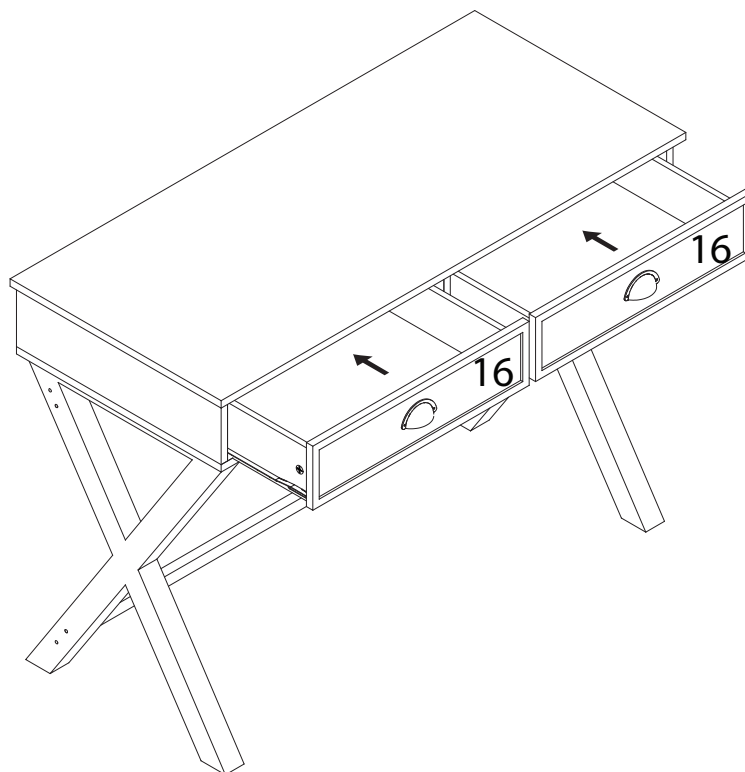


M3
x
12

x 2



26



27

D



x 10

