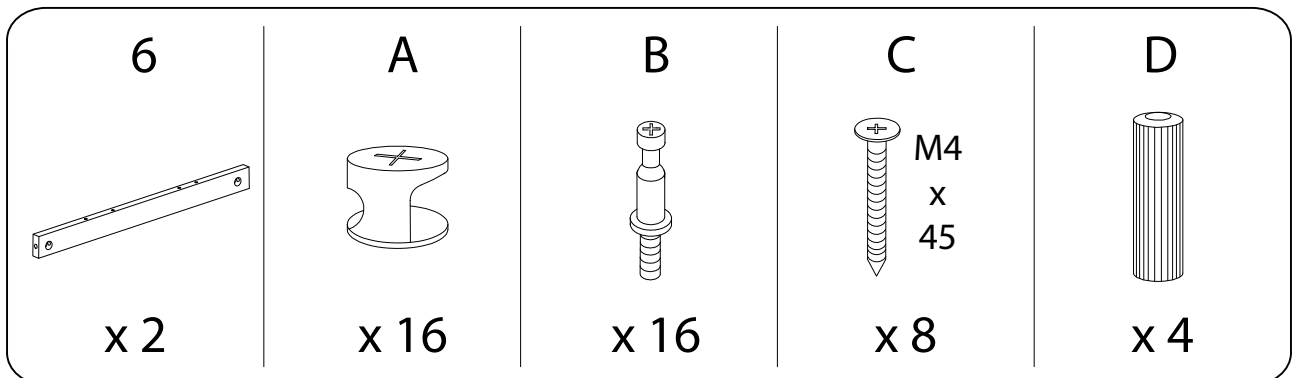
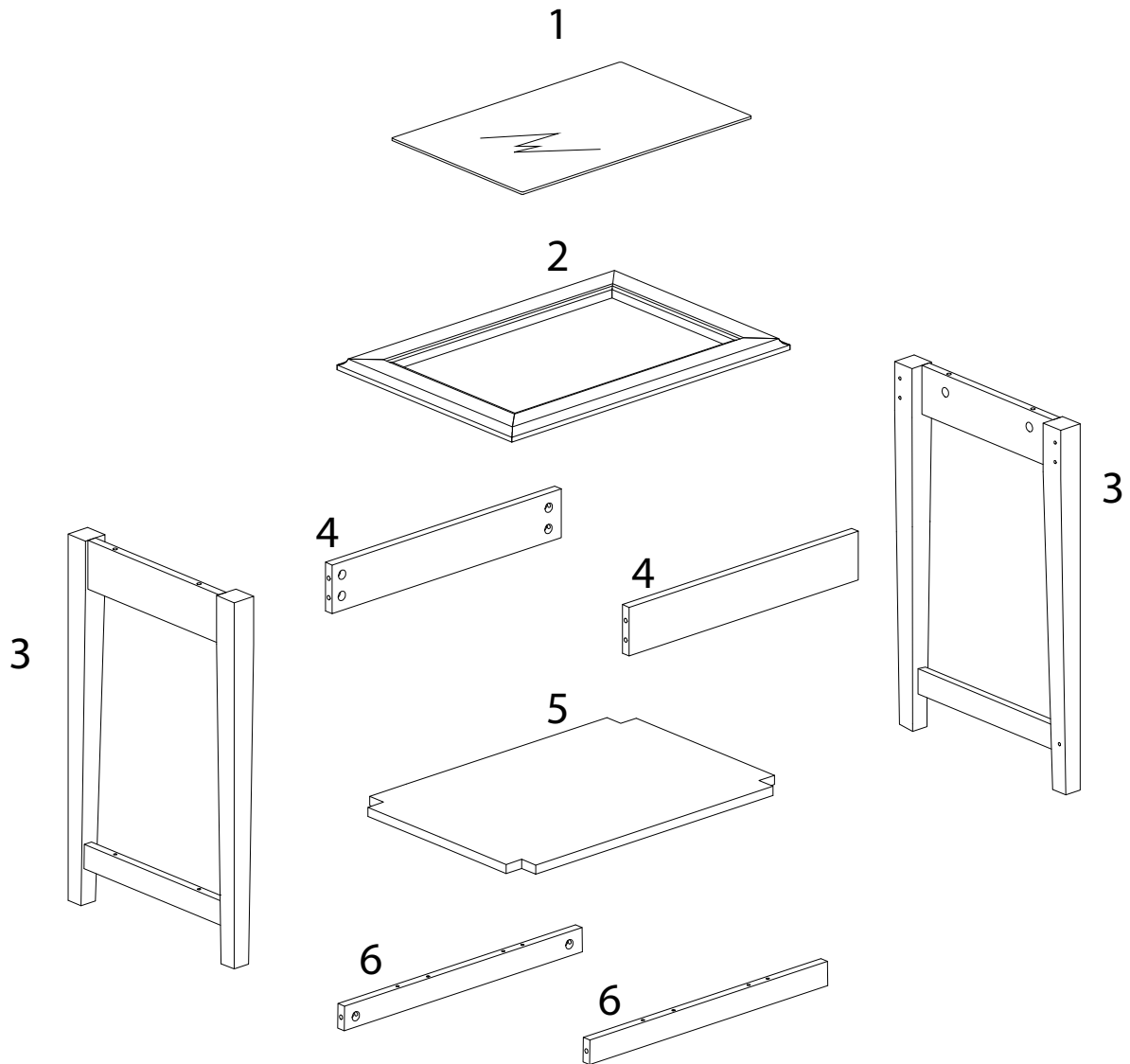
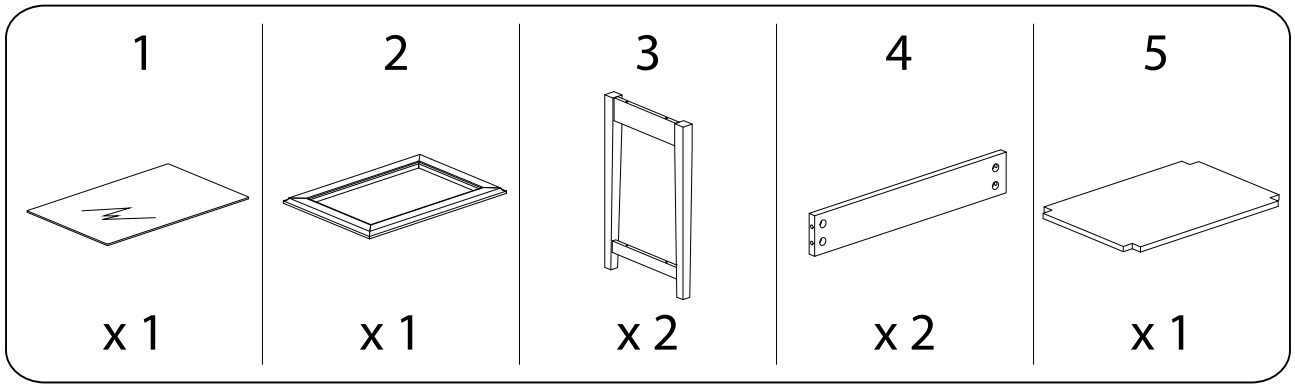
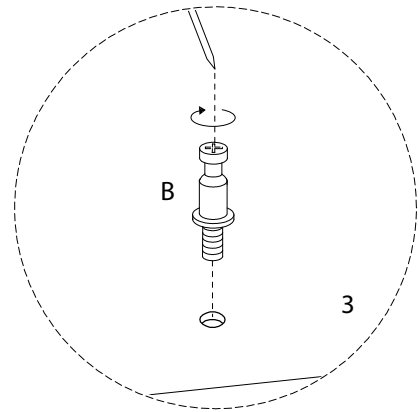
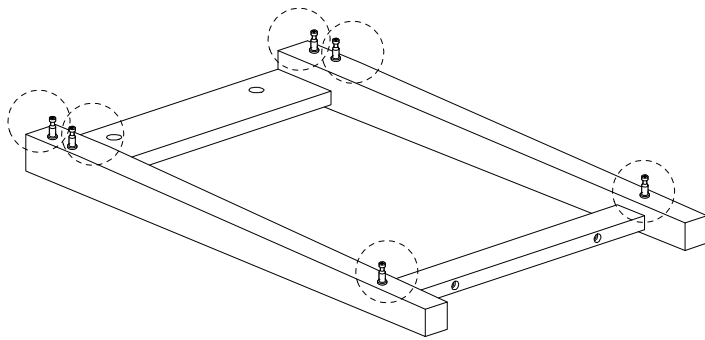
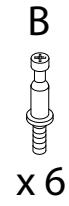
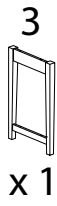


Assembly instructions for step 1/7:

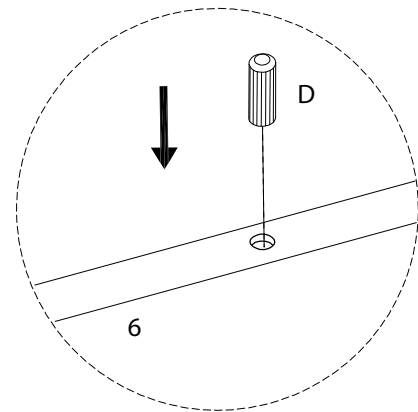
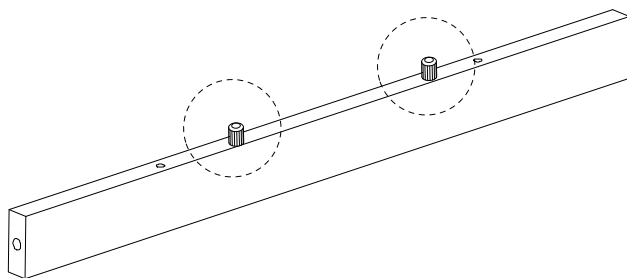
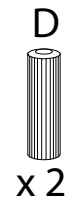
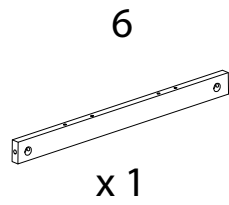
- Tools: A screwdriver is shown as the correct tool, and a power drill is shown with a diagonal line through it, indicating it should not be used.
- Warning: A triangle with an exclamation mark indicates a warning.
- Time: A clock icon indicates a 40-minute estimated assembly time.
- Personnel: A person icon and the number '1' indicate that one person is required for assembly.



1 x 2

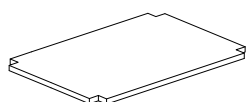


2 x 2



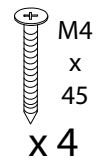
3

5

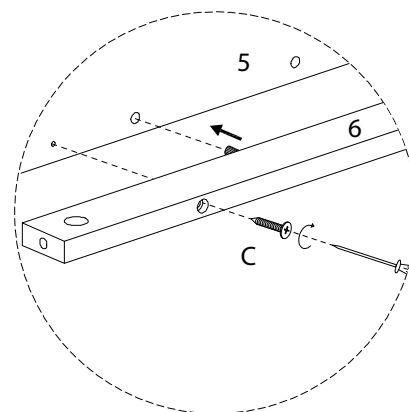
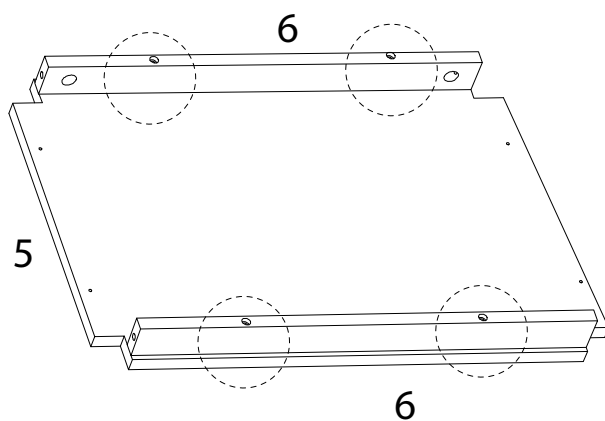


x 1

C

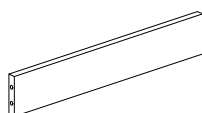


x 4



4

4

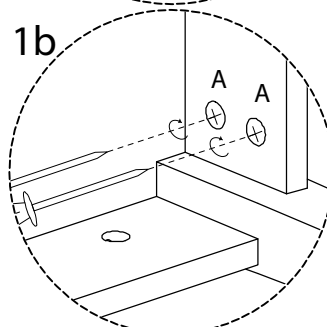
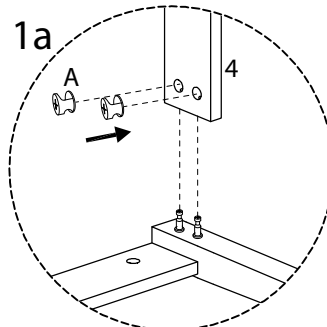
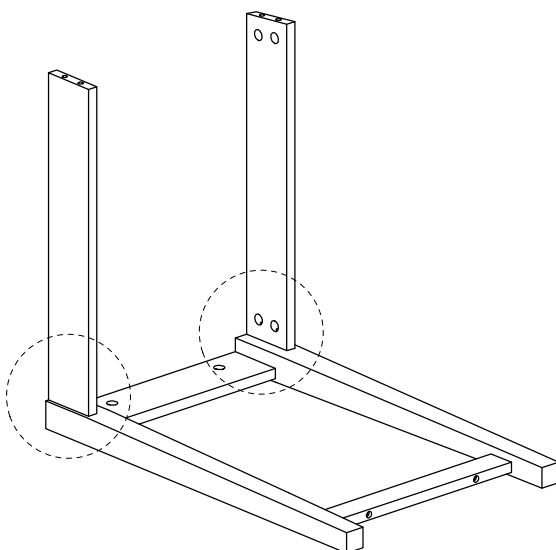


x 2

A



x 4

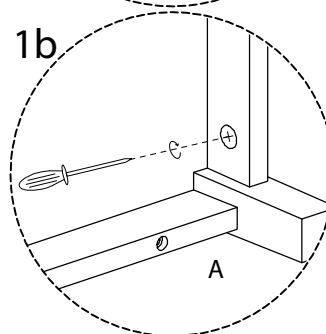
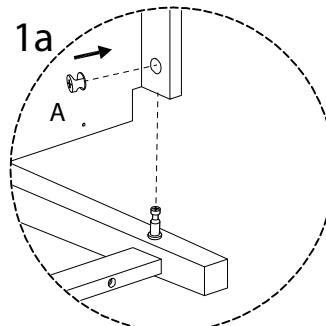
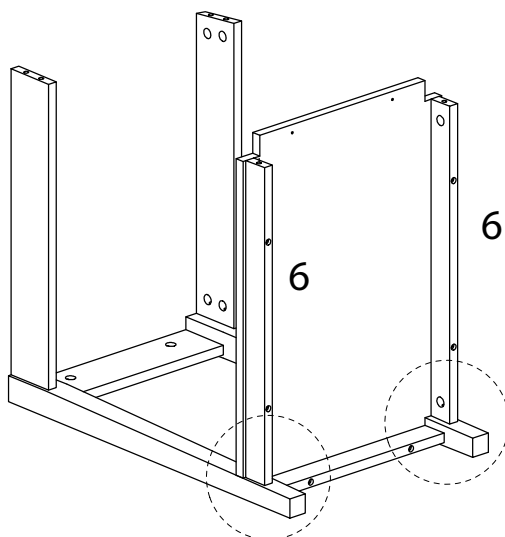


5

A



x 2

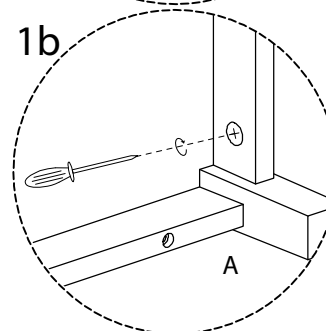
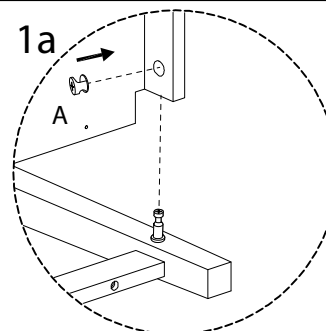
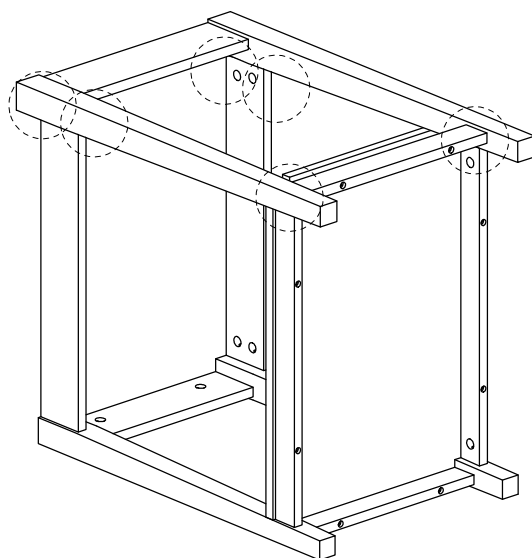


6

A

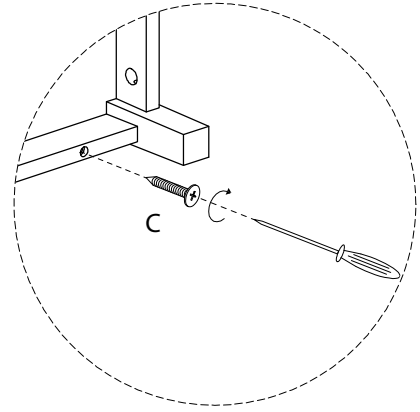
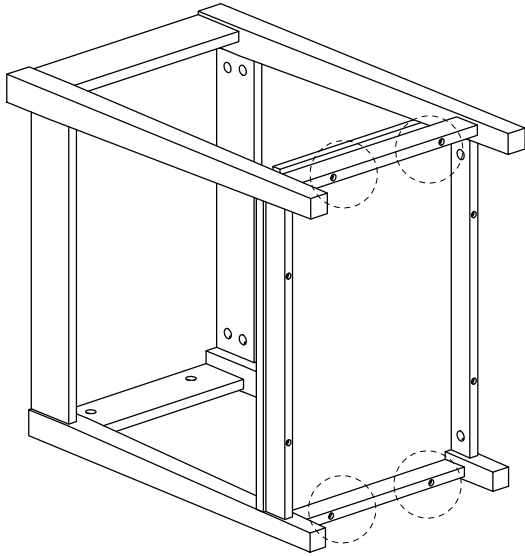


x 6



7

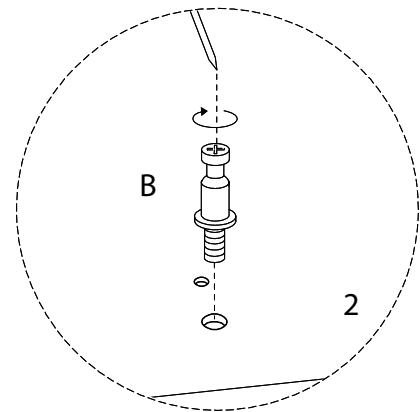
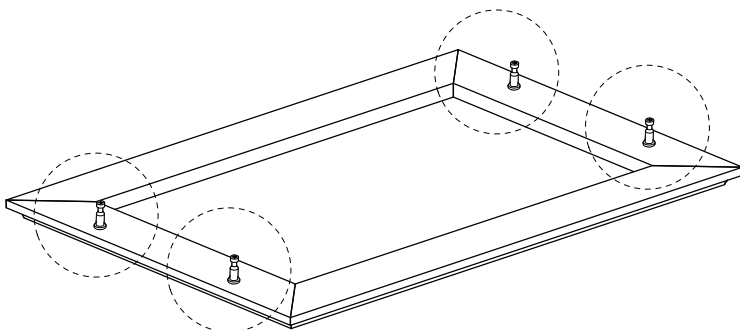
C
M4
x
45
x 4



8

B
x 4

2
x 1

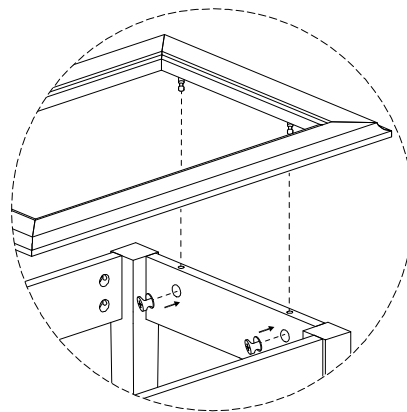
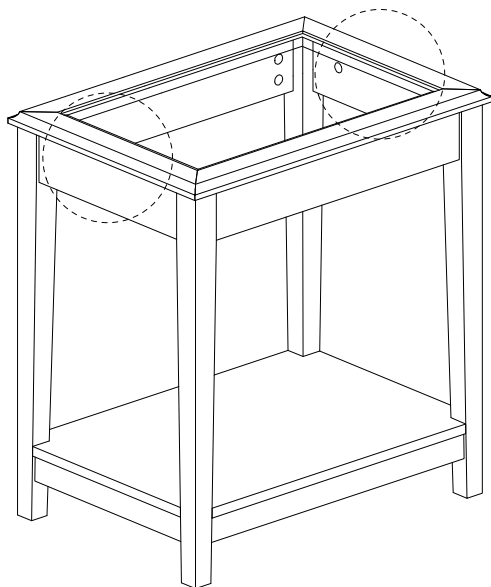


9

A

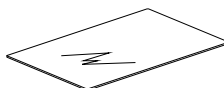


x 4



10

1



x 1

