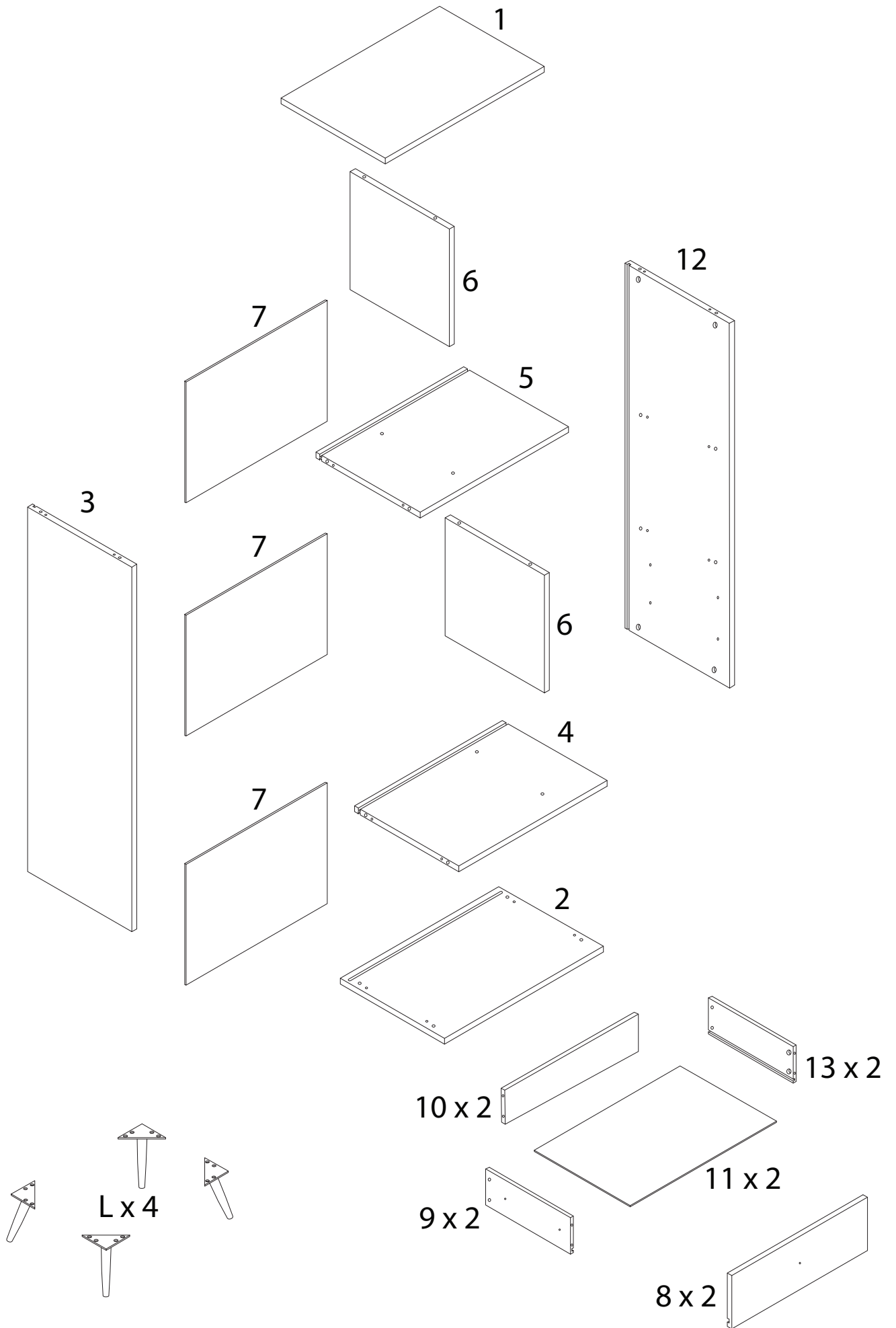
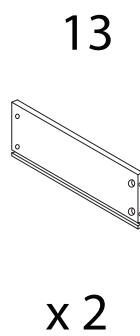
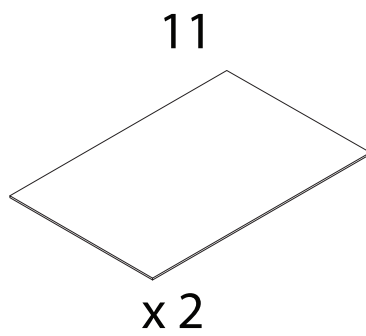
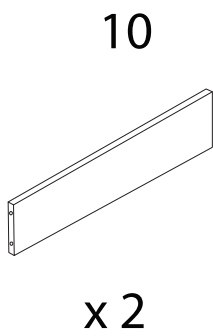
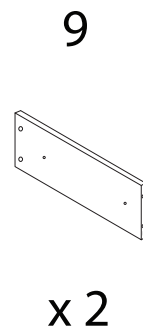
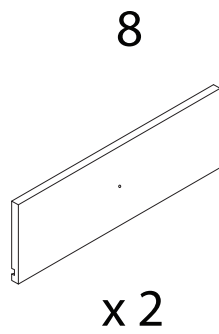
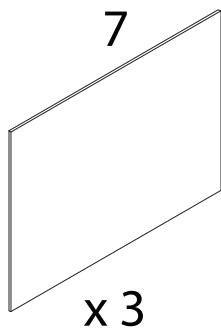
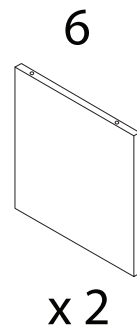
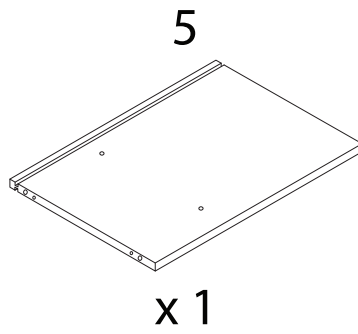
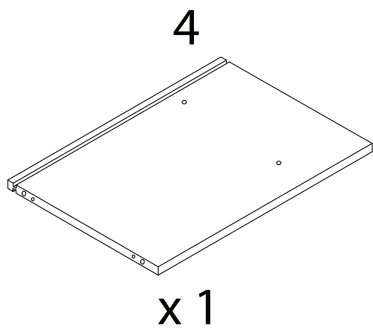
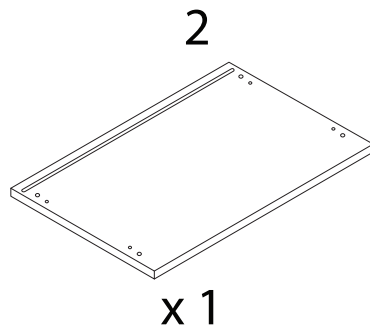
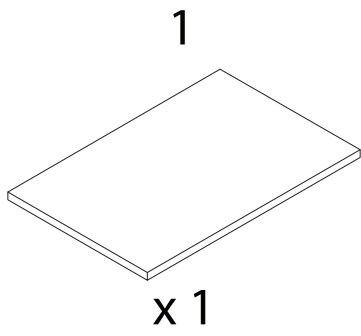
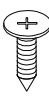
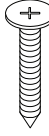

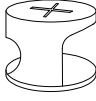
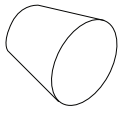
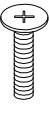

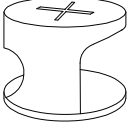

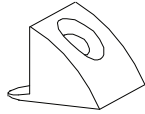


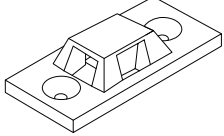
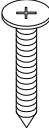
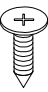
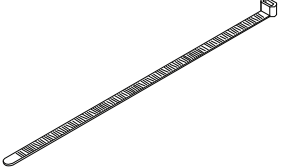
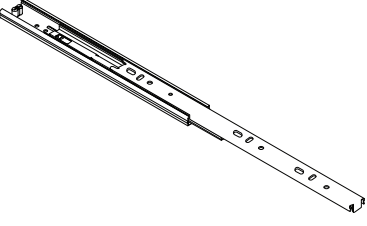
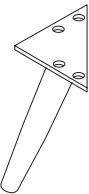
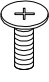


Assembly instructions for step 1/21:

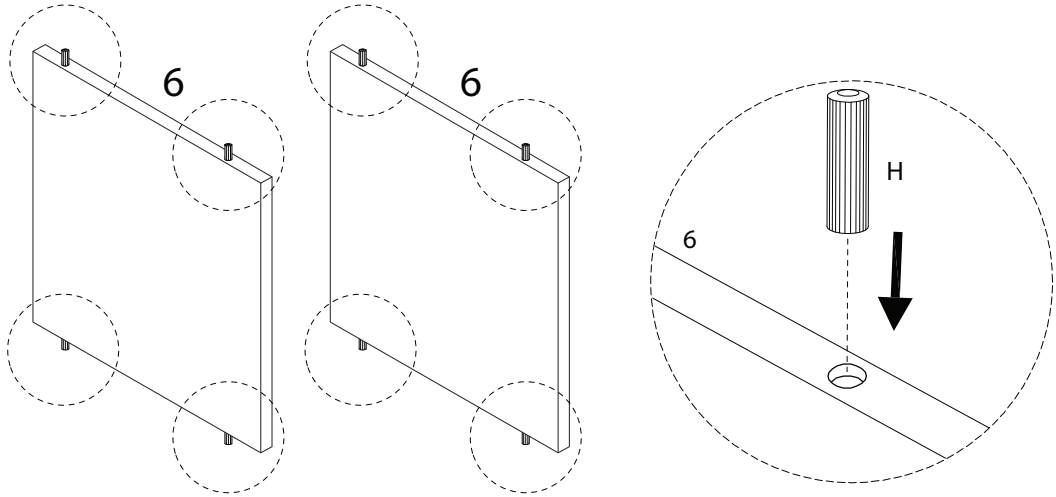
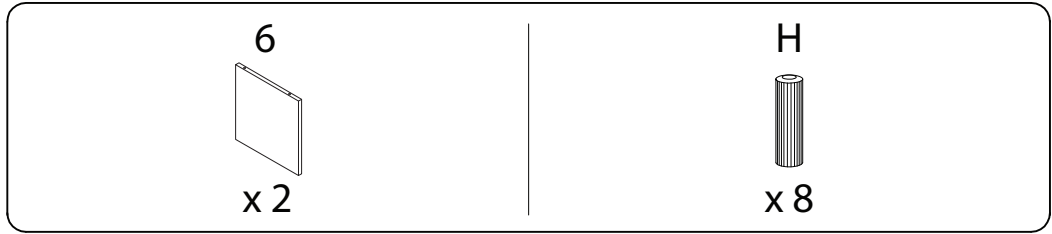
- Tools:** A screwdriver is required. A power drill is not required (indicated by a diagonal line through the drill icon).
- Time:** Estimated assembly time is 120 minutes, represented by a clock icon.
- Personnel:** Two people are required for assembly, represented by a person icon and the number 2.
- Warnings:** Two warning triangles with exclamation marks are present. The top one is connected to the tool icons, and the bottom one is connected to the material handling icons.
- Material Handling:** The bottom icon shows a rectangular block being placed on a surface with a textured pattern. The right icon shows the same block being lifted or moved, with a diagonal line through it, indicating a specific handling instruction.



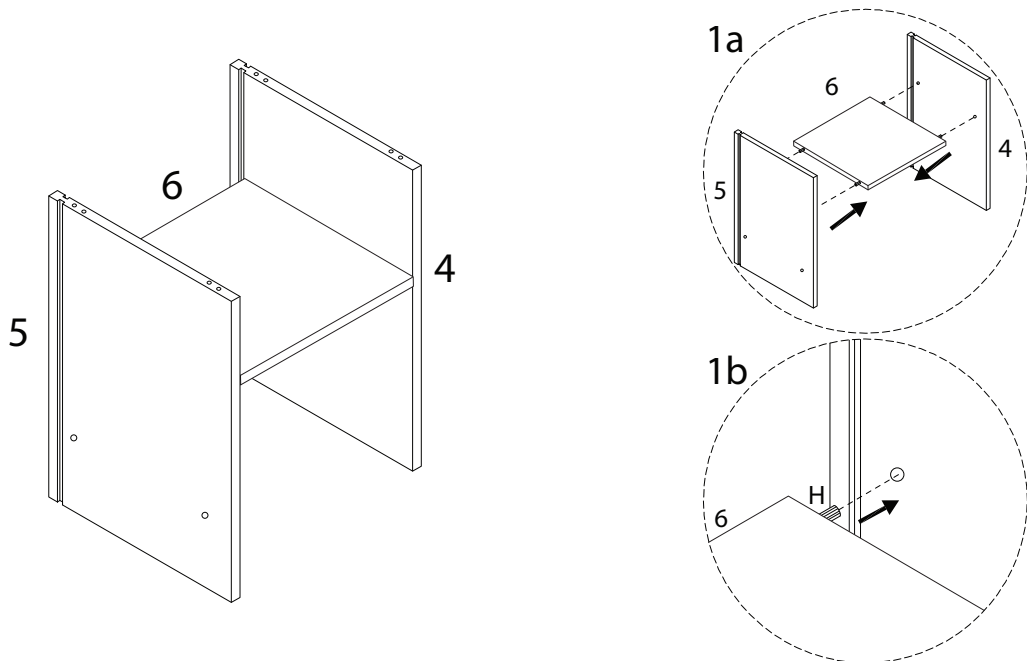
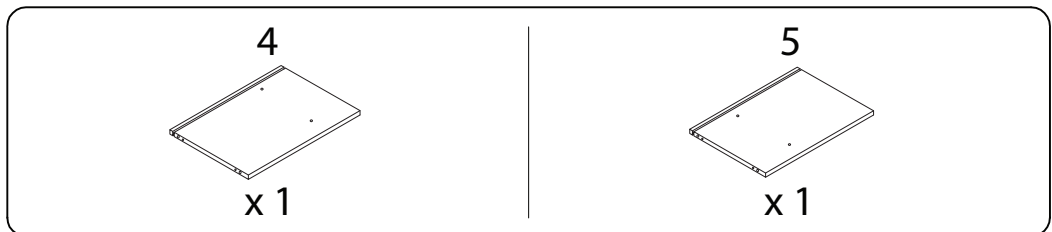


<p>A</p>  <p>M3 x 12</p> <p>x 16</p>	<p>B</p>  <p>M4 x 30</p> <p>x 8</p>	<p>C1</p>  <p>x 8</p>	<p>C2</p>  <p>Ø12</p> <p>x 8</p>
<p>D</p>  <p>x 2</p>	<p>E</p>  <p>M4 x 22</p> <p>x 2</p>	<p>F</p>  <p>x 16</p>	<p>G</p>  <p>Ø15</p> <p>x 16</p>
<p>H</p>  <p>x 24</p>	<p>I1</p>  <p>x 6</p>	<p>I2</p>  <p>M3 x 12</p> <p>x 6</p>	<p>J1</p>  <p>x 2</p>
<p>J2</p>  <p>x 2</p>	<p>J3</p>  <p>M7 x 34</p> <p>x 2</p>	<p>J4</p>  <p>M6 x 18</p> <p>x 2</p>	<p>J5</p>  <p>x 1</p>
<p>K</p>  <p>x 4</p>	<p>L</p>  <p>x 4</p>	<p>M</p>  <p>M6 x 16</p> <p>x 16</p>	

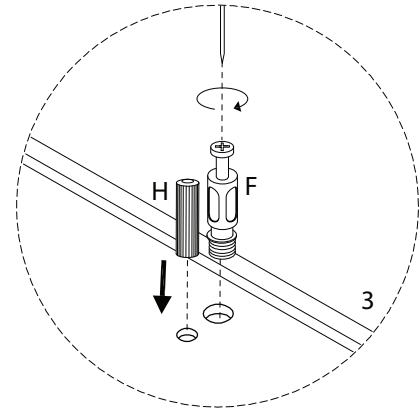
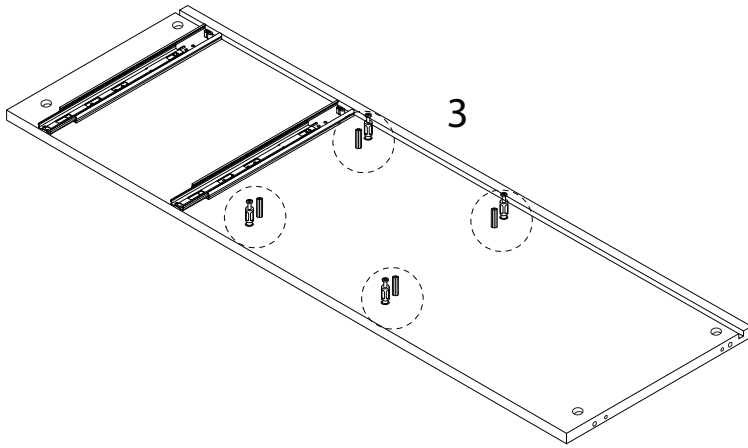
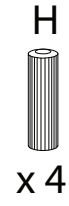
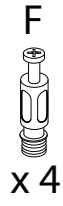
1



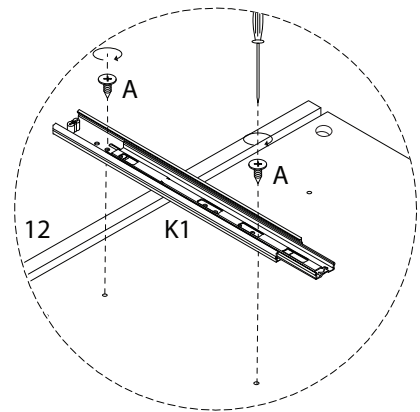
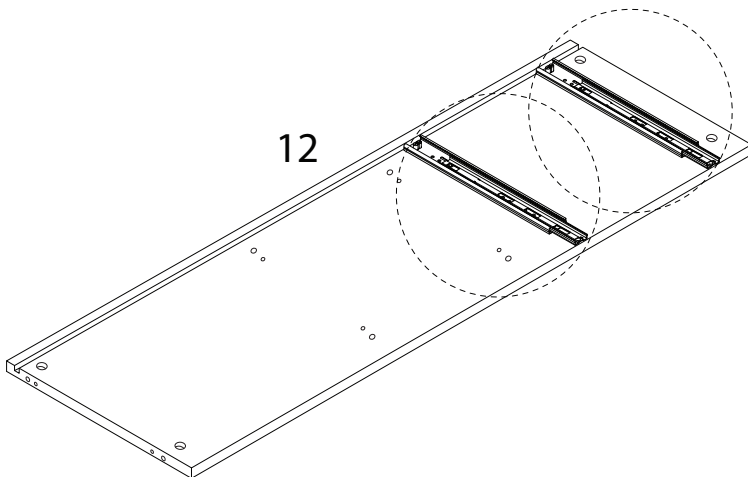
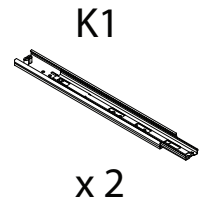
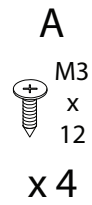
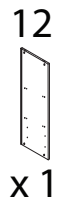
2



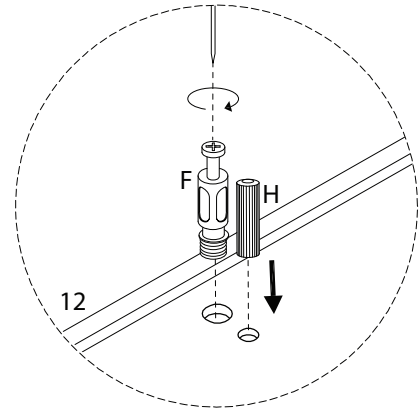
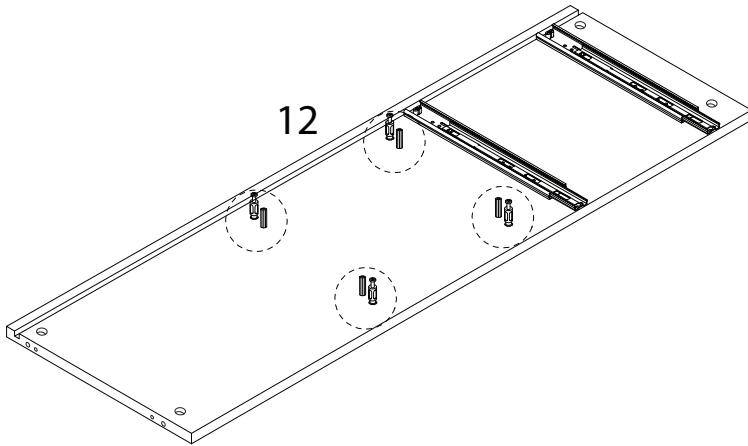
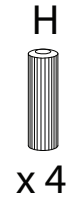
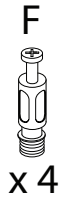
4



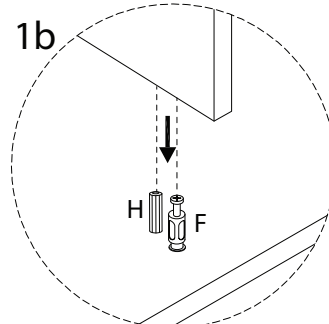
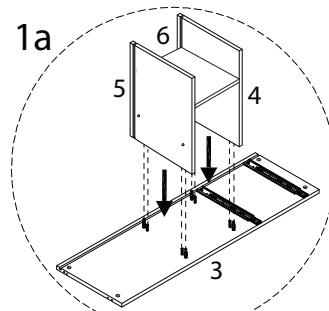
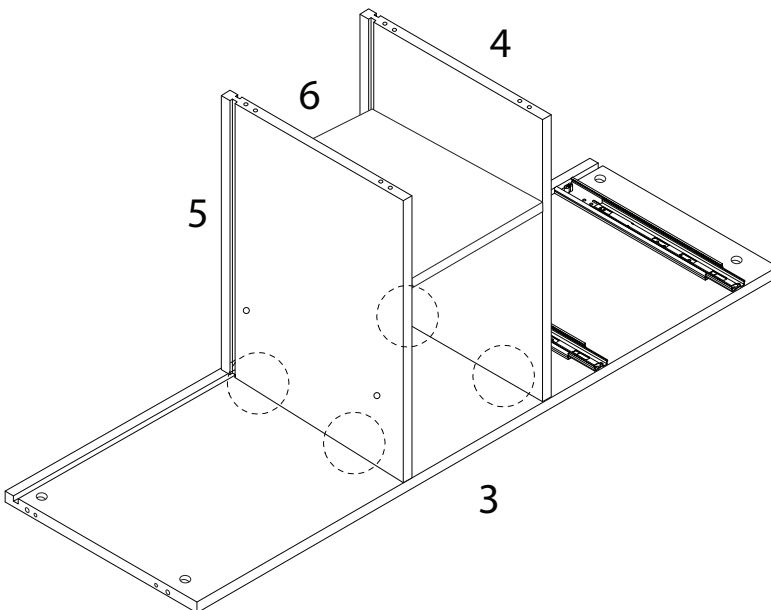
5



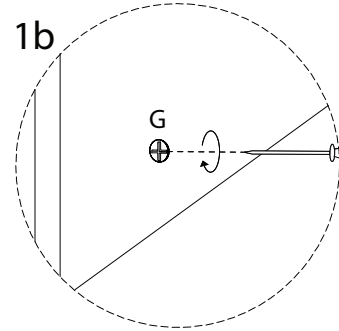
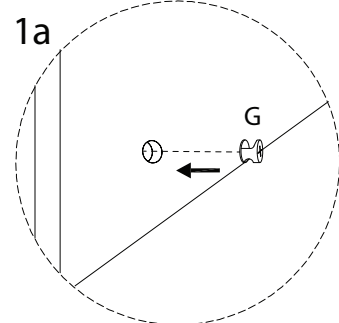
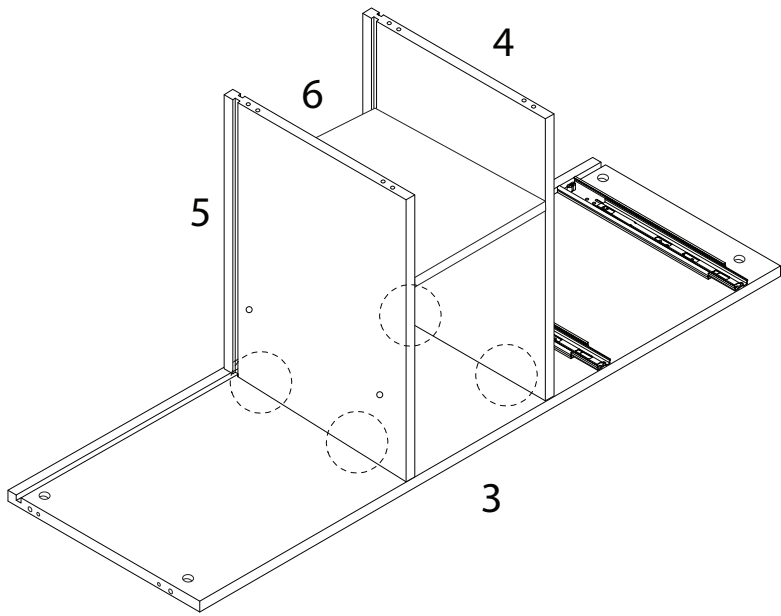
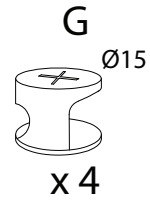
6



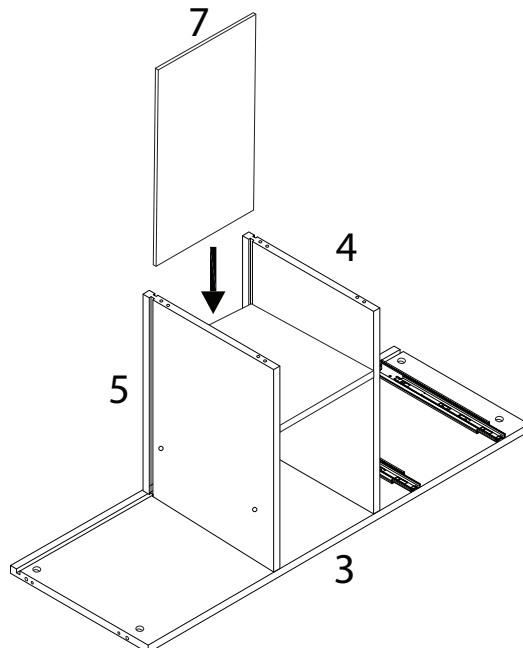
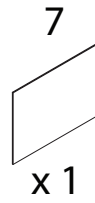
7



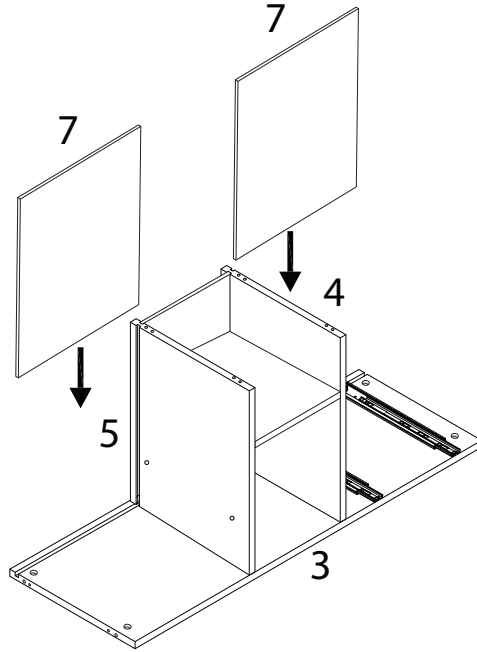
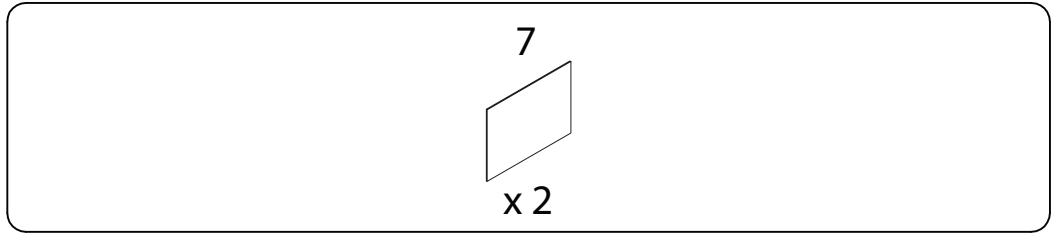
8



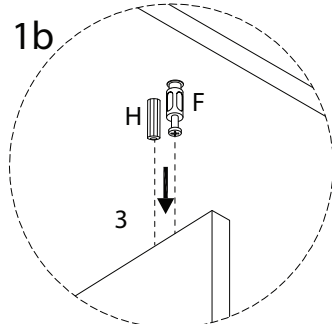
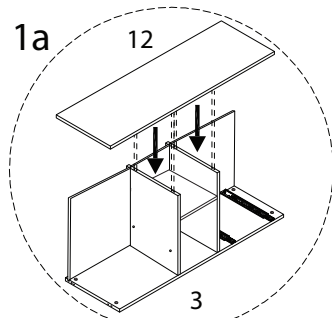
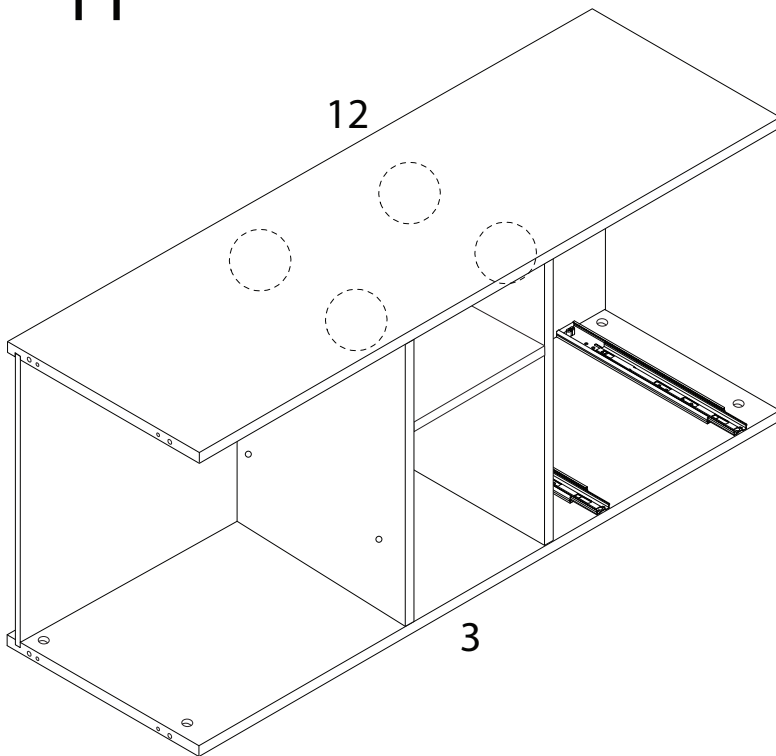
9



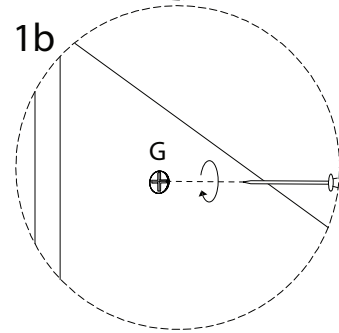
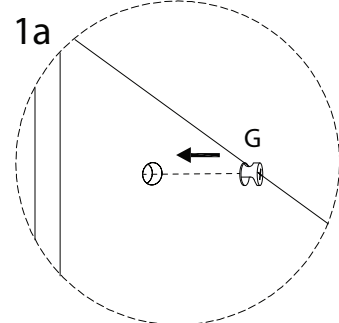
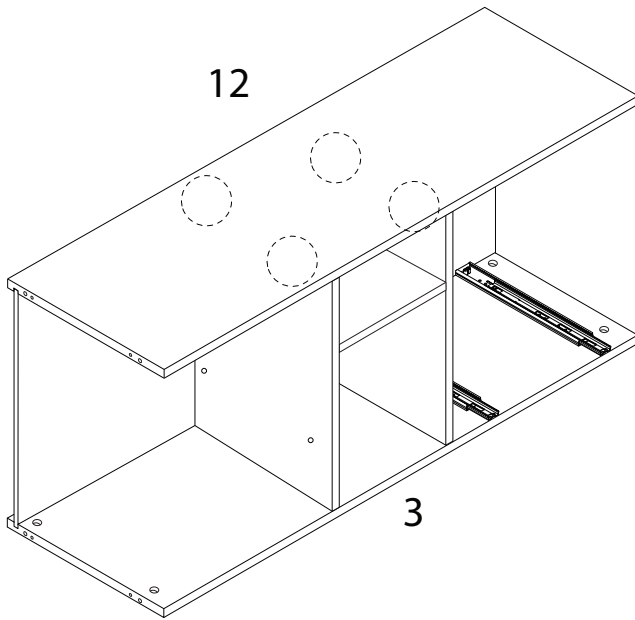
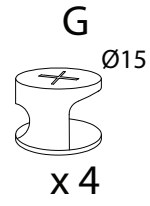
10



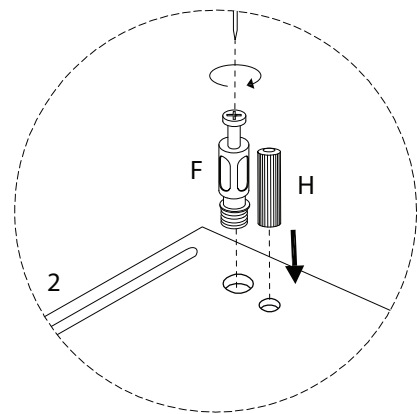
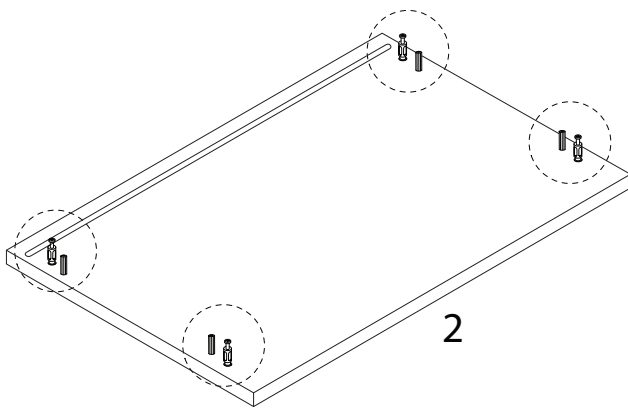
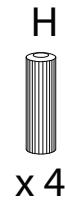
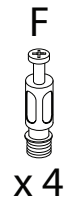
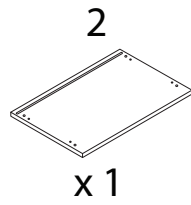
11



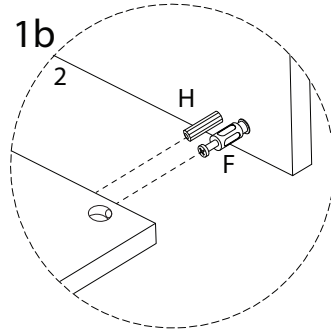
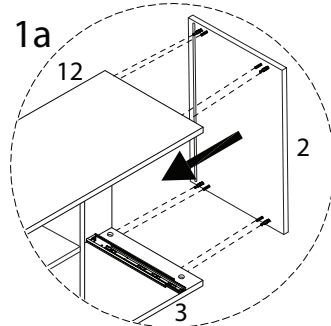
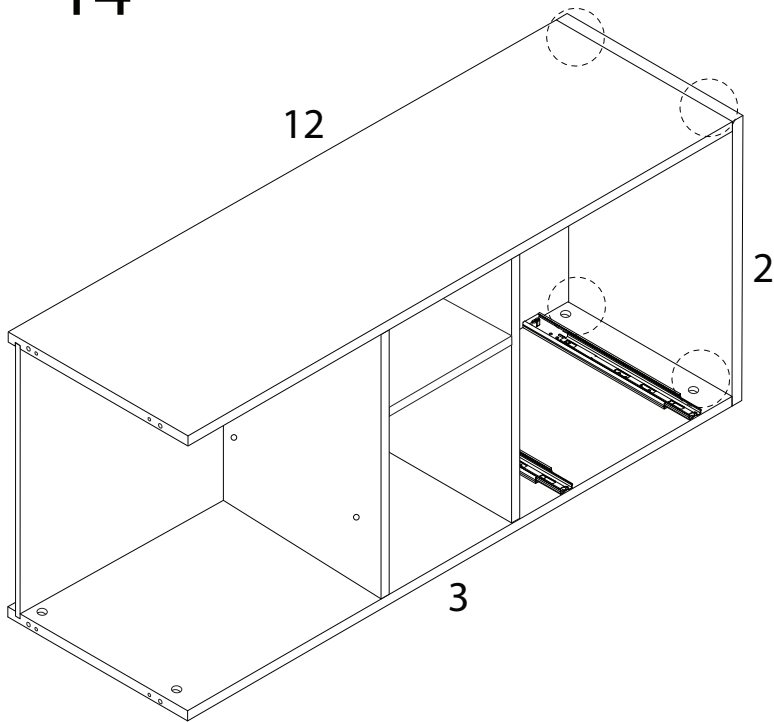
12



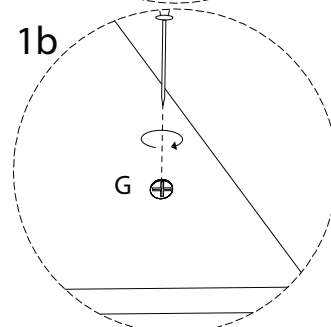
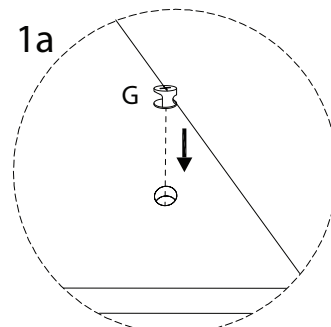
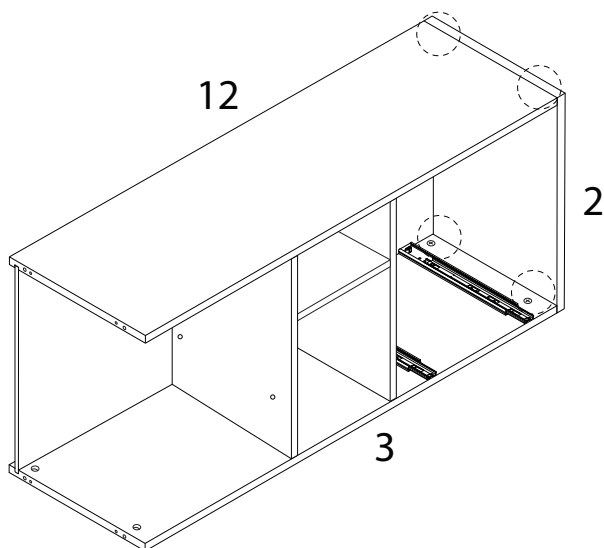
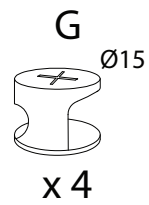
13



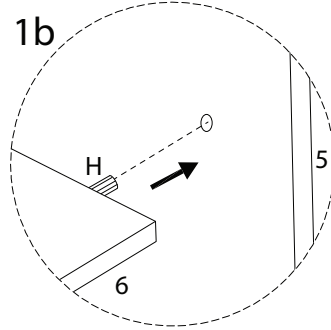
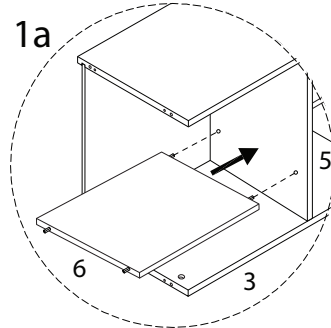
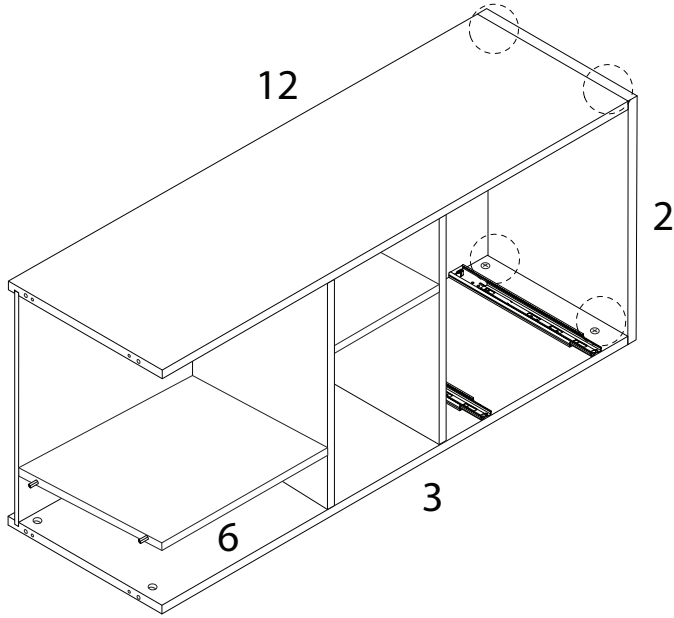
14



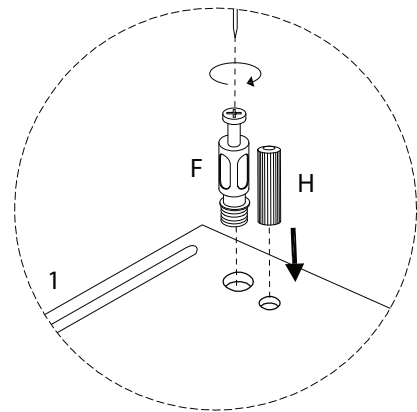
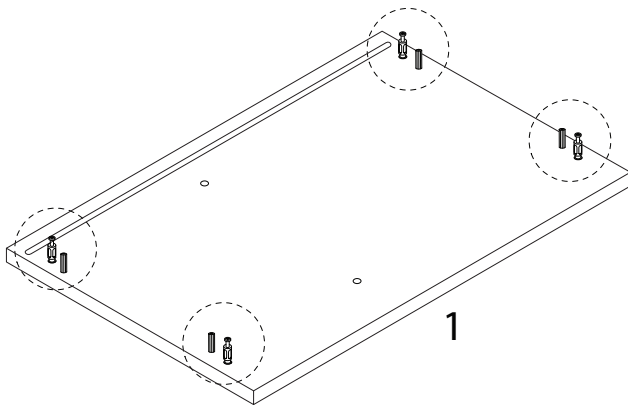
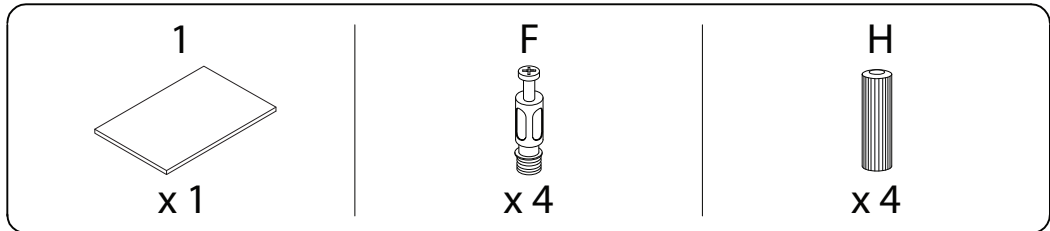
15



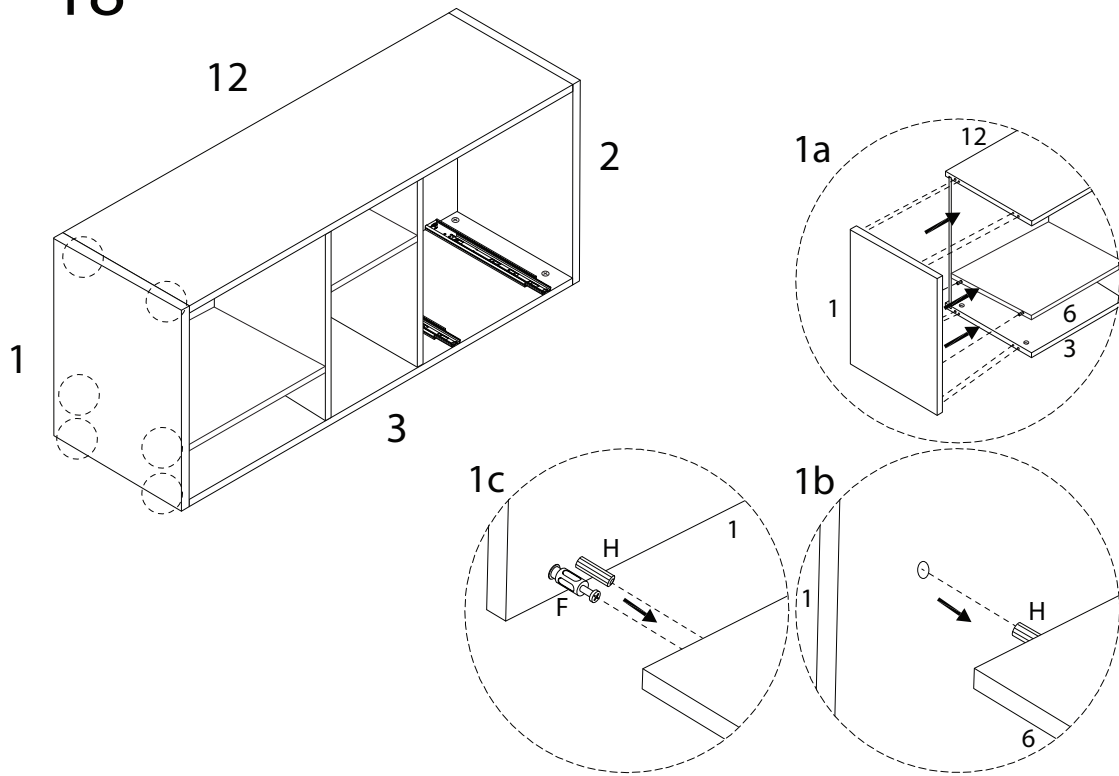
16



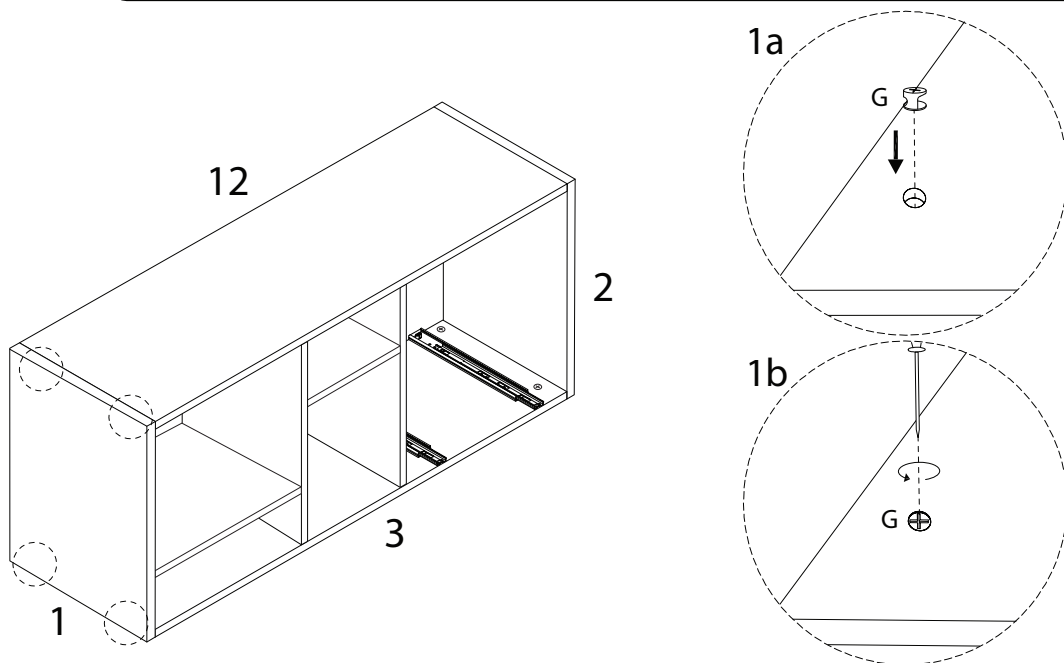
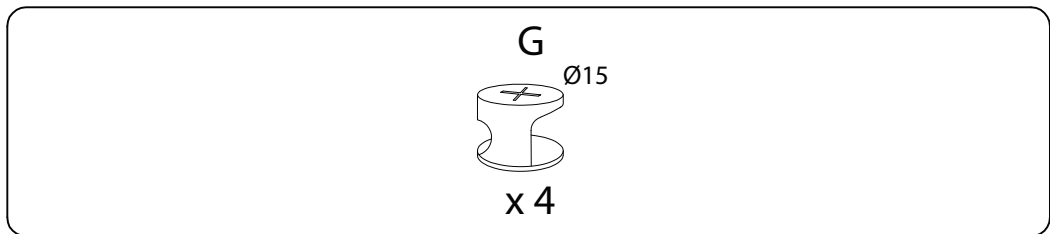
17



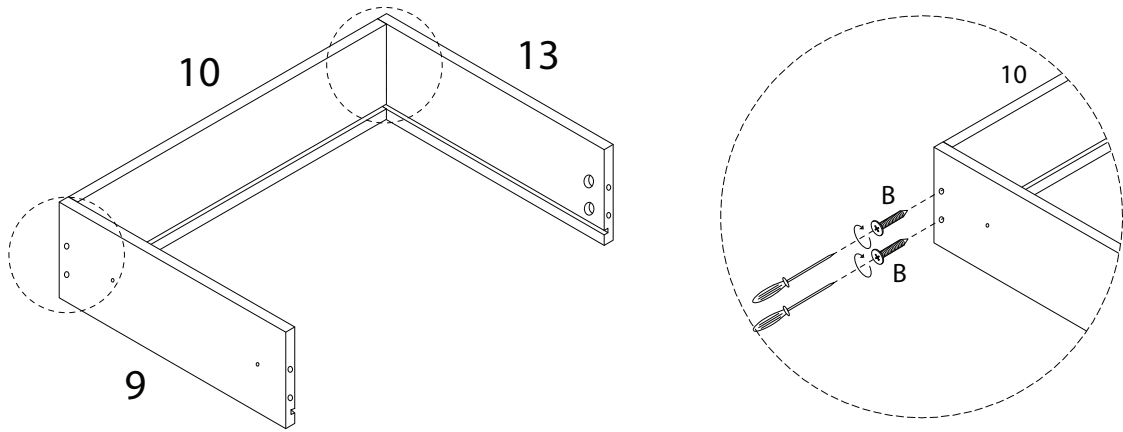
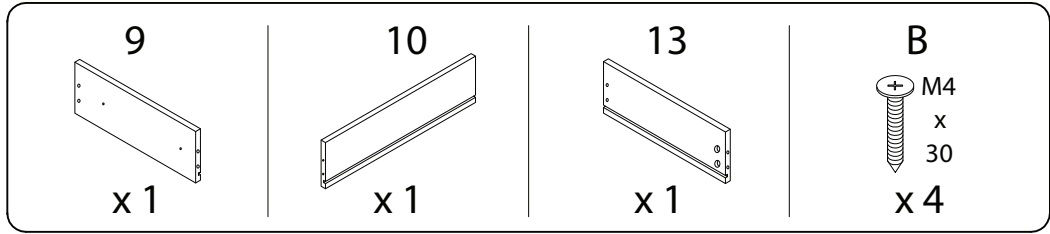
18



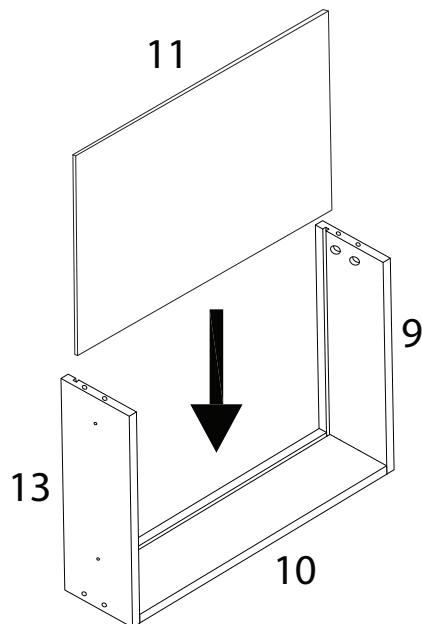
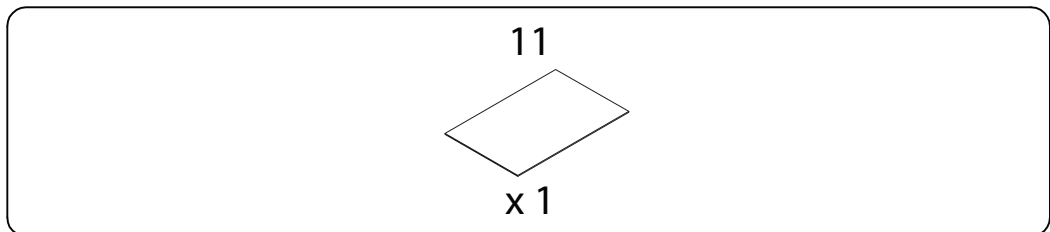
19



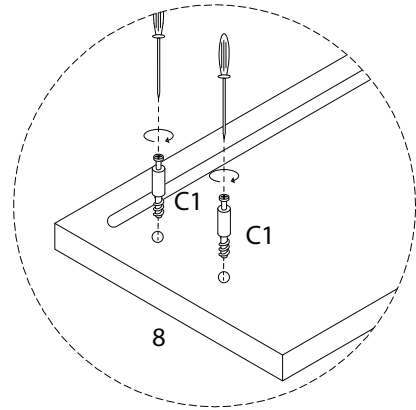
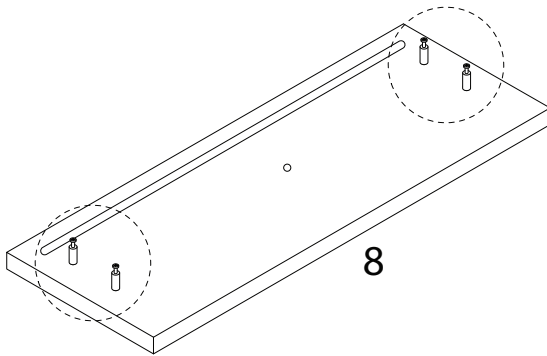
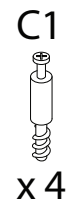
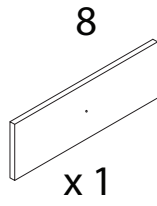
20 x 2



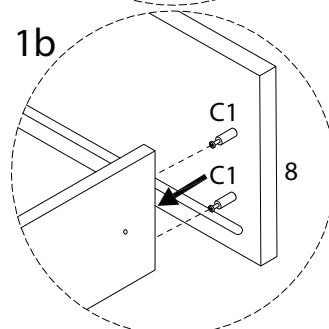
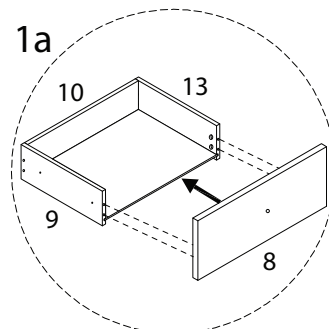
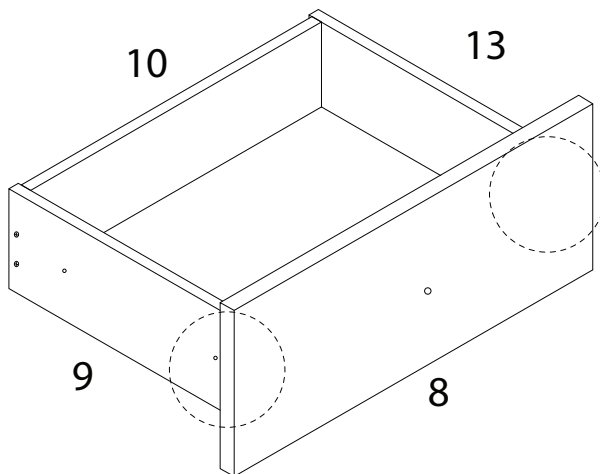
21 x 2



22 x 2

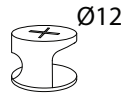


23 x 2

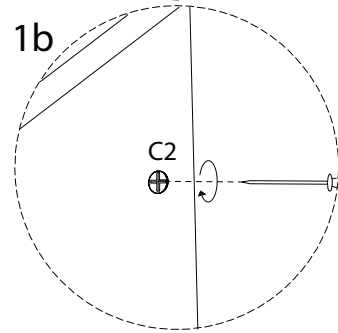
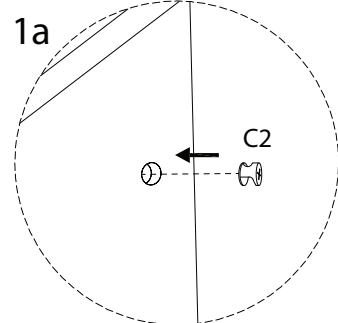
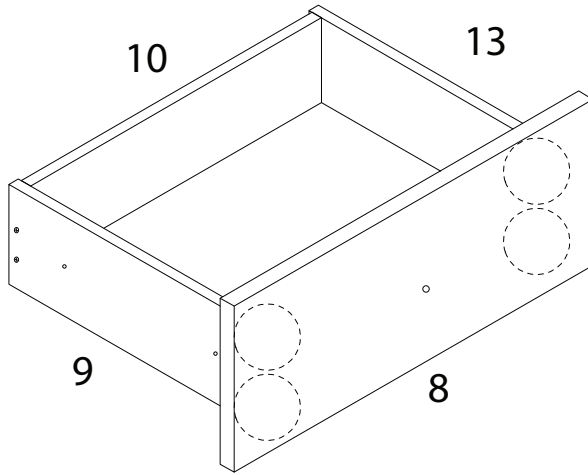


24 x 2

C2



x 4



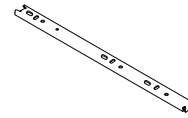
25 x 2

A

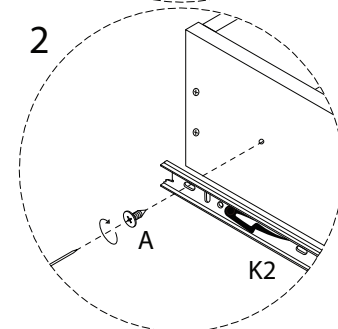
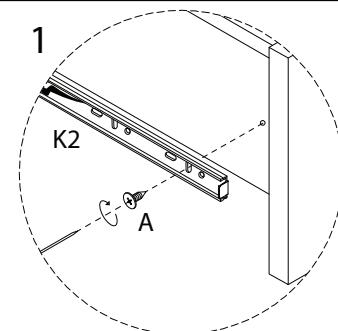
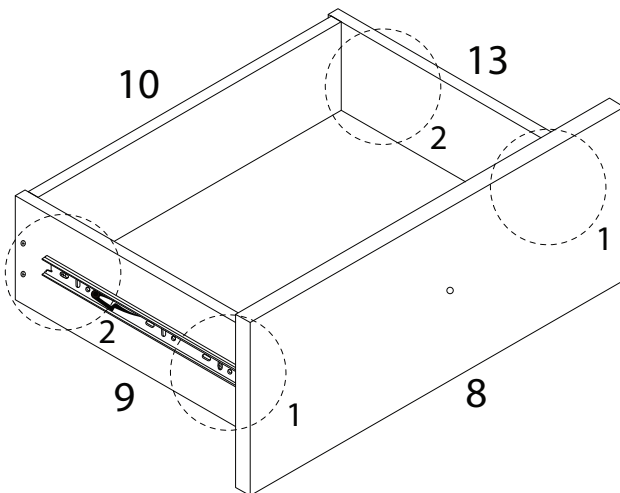


x 4

K2



x 2



26 x 2

D

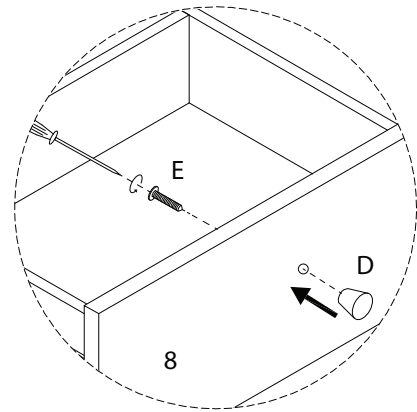
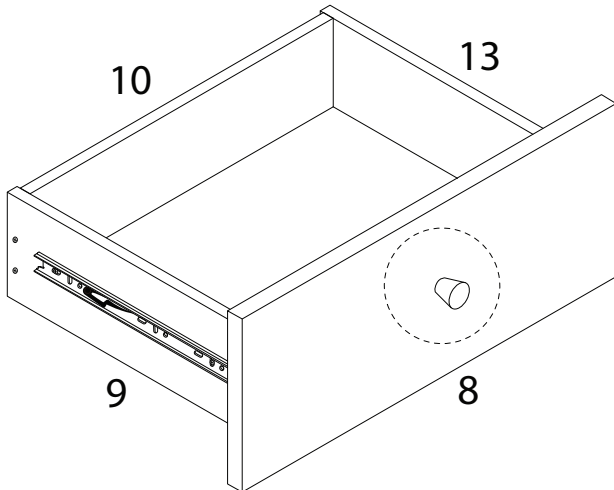


x 1

E



x 1



27

L

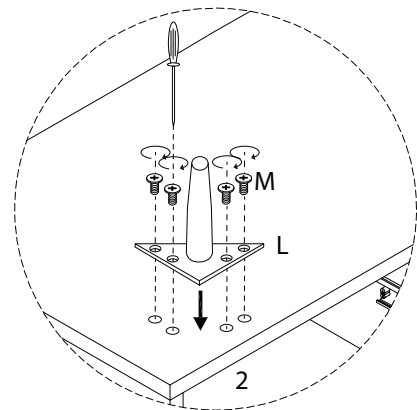
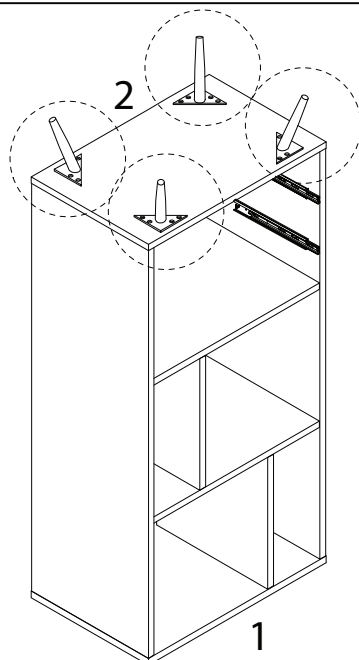


x 4

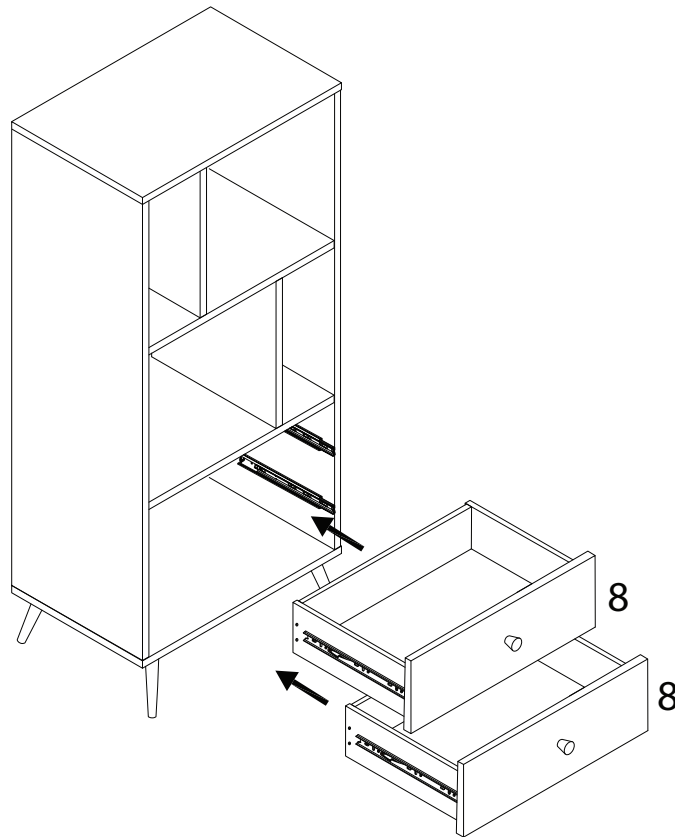
M



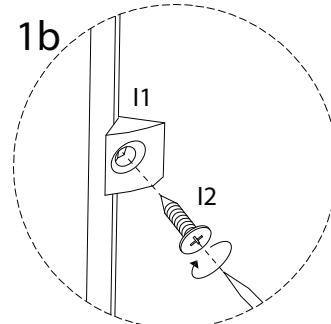
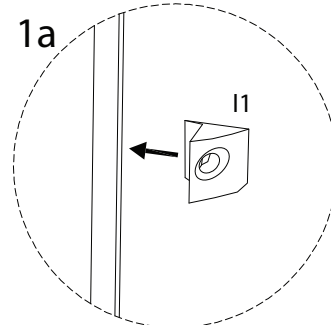
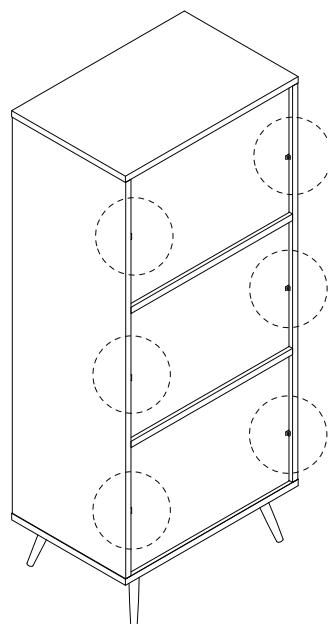
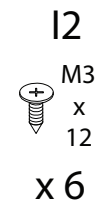
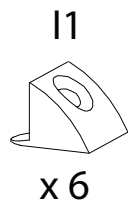
x 16



28

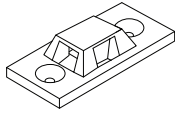


29



30

J2

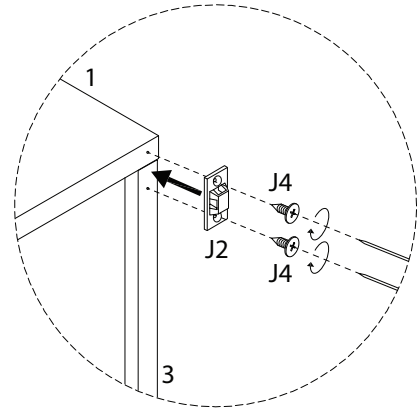
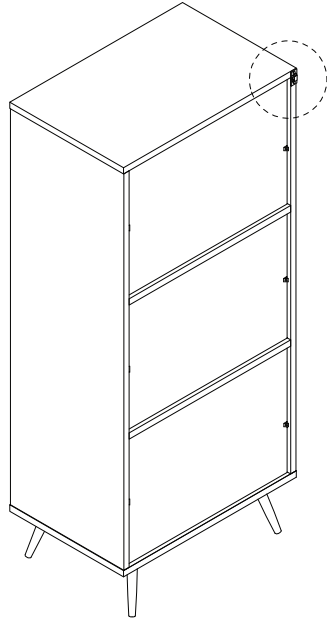


x 1

J4



x 2



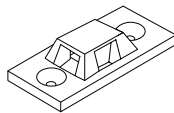
31

J1



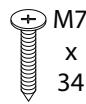
x 2

J2



x 1

J3

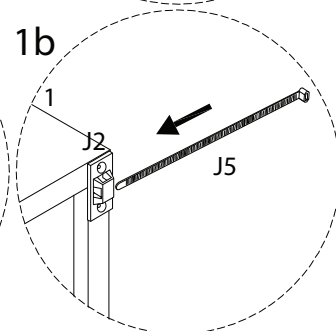
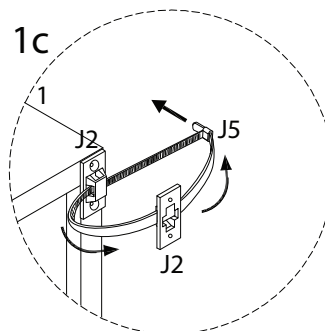
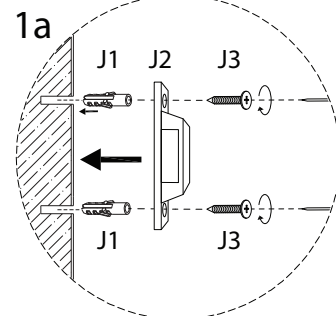
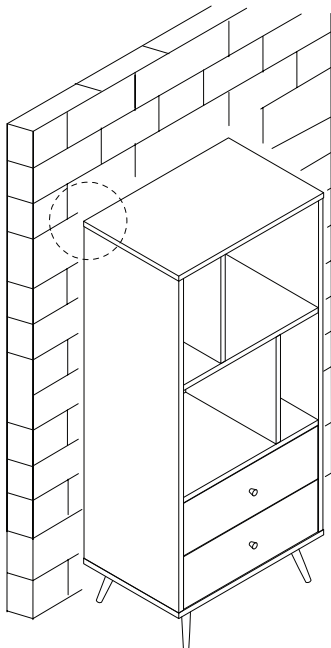


x 2

J5



x 1



!

