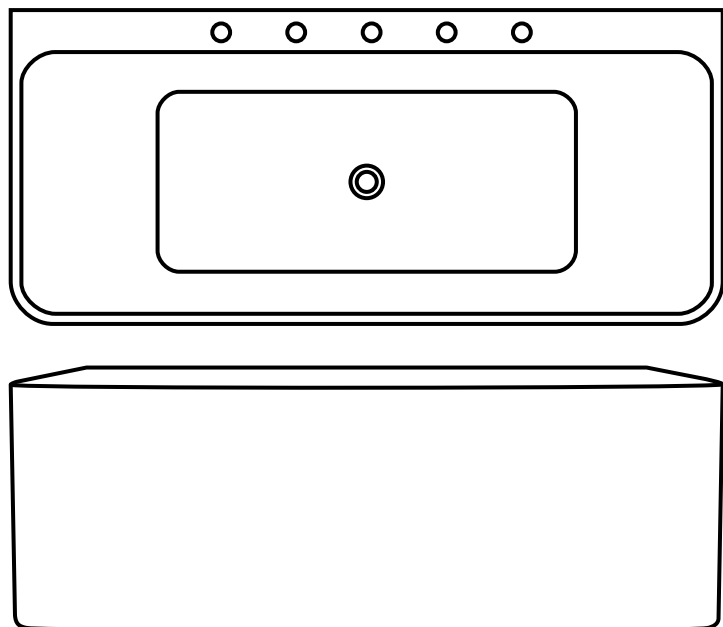


Operating Instruction Manual



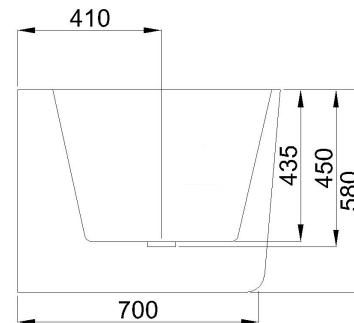
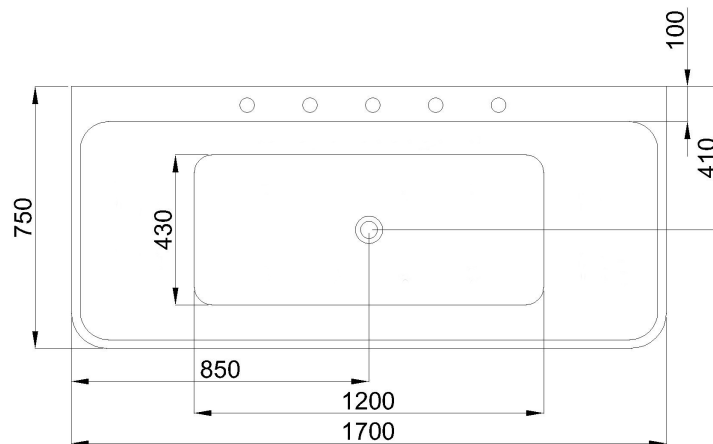
Size:1700*750*580mm

1.Safety Notes

Precautions!

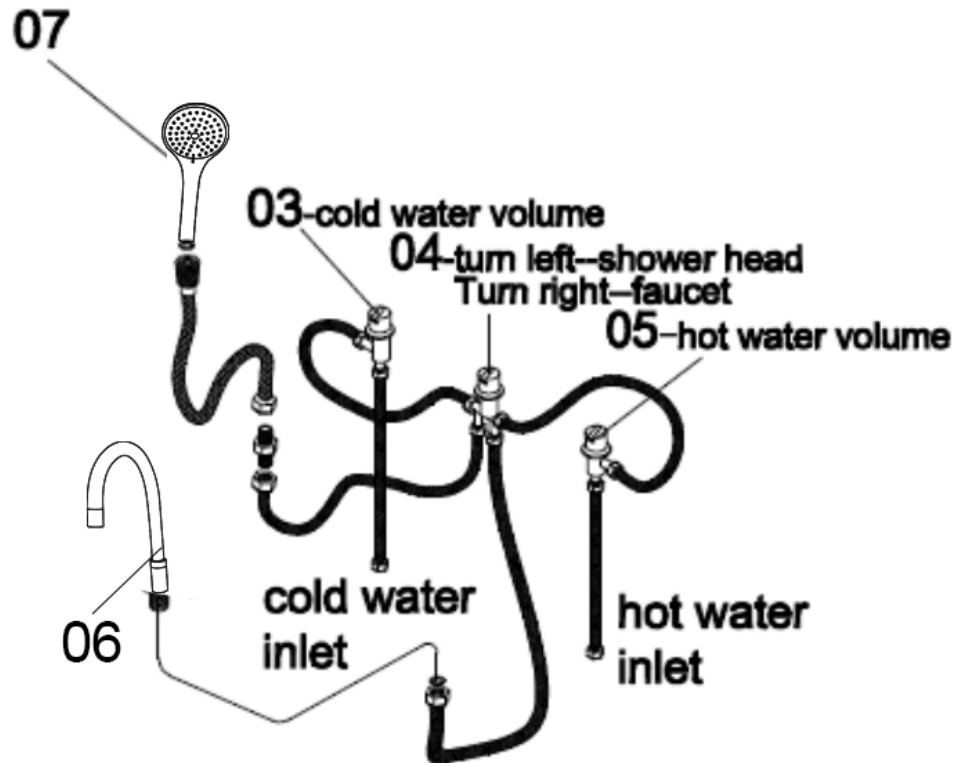
- ◆ Please read this instruction carefully before using.
- ◆ Children need to be accompanied by an adult to use the product.
- ◆ The skirt can't be disassembled. Please do not disassemble the products'skirt freely if you are non-professionals to avoid damage to the products.

2.Introduction

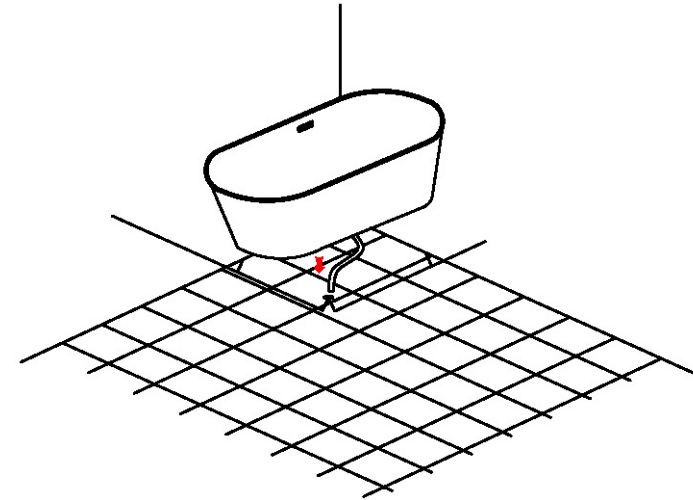


3.Installation Instruction

Step 1:
Connect the faucet



Step 2:
make sure the waste hole on the floor near the waste in the bathtub ,and the waste hose (approximately 1 meter) can get to the waste hole



Step 3:
Adjust the bathtub feet to make it standing steadily.
Use sillicon to fix the bathtub on dry ground.
Leave the sillicone dry for 48hours.
Use the bathtub after sillicone dry.

