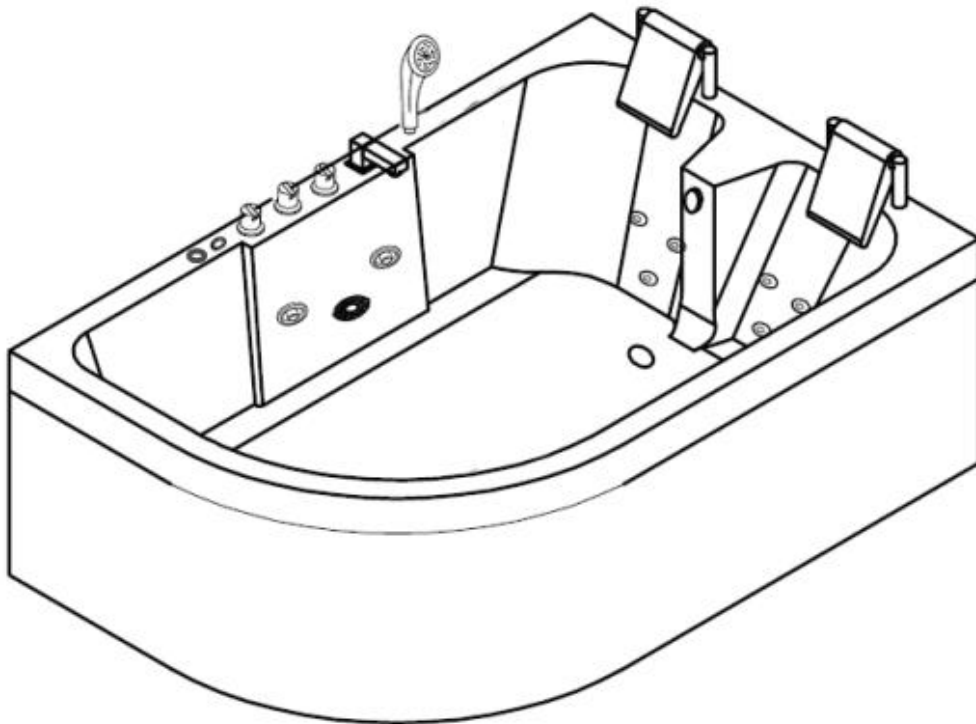


# Operating Instruction Manual



# Catalogue

1. Safety Notes	
1.1. Precautions.....	1
2. Introduction	
2.1. Appearance.....	2
2.2. Working Principle.....	4
3. Installation Instruction	
3.1. Water And Electricity Installation.....	5

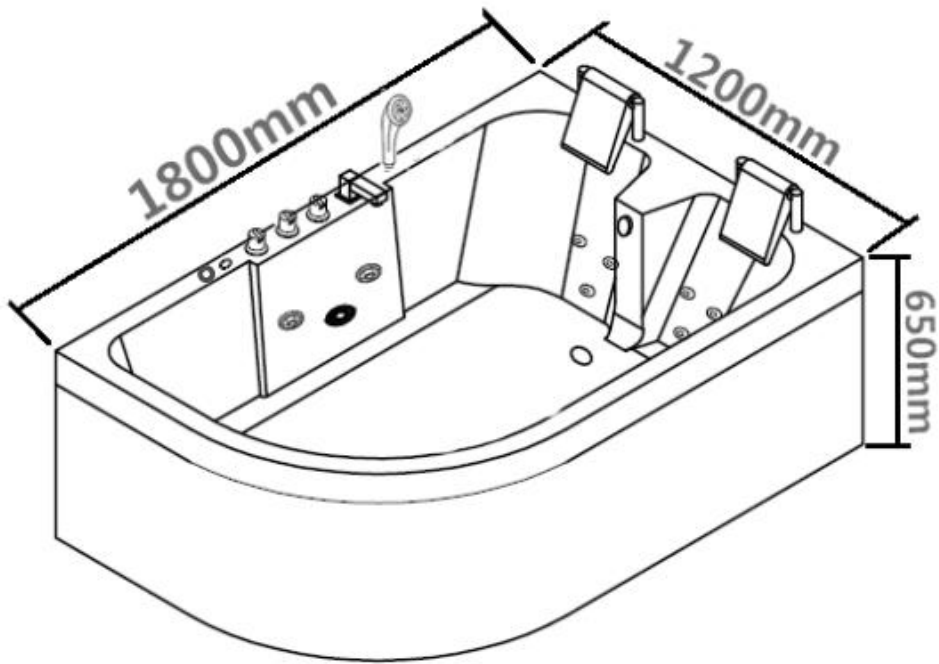
# **1. Safety Notes**

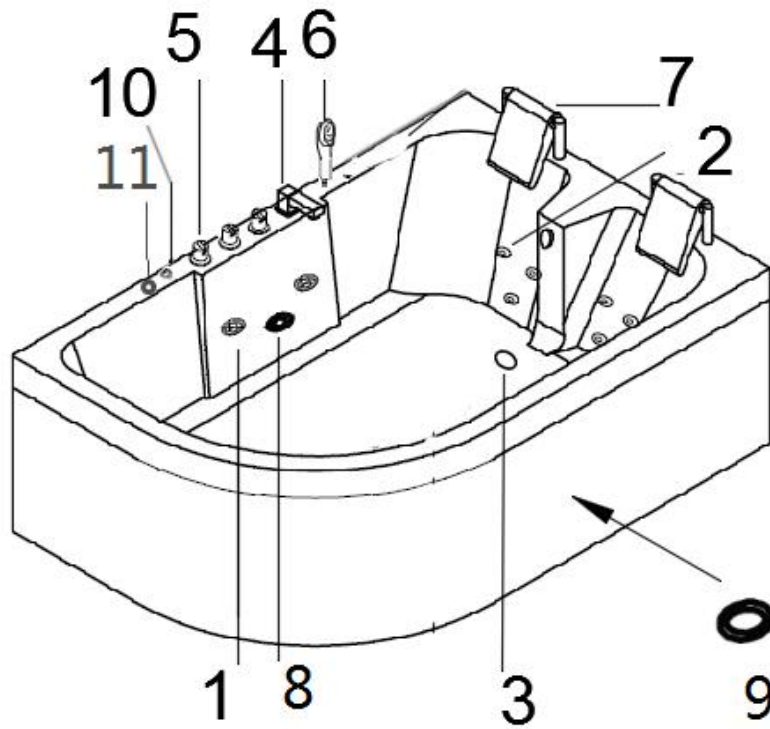
## **1.1. Precautions !**

- ◆ Please read this instruction carefully before using.
- ◆ Children need to be accompanied by an adult to use the product.
- ◆ Please do not disassemble the products' skirt freely if you are non-professionals to avoid damage to the products.
- ◆ Please do not disassemble or fix or maintain the electrical part yourself if you are non-professionals to avoid accident.
- ◆ There must be reliable grounding measures before accessing the power supply.
- ◆ It is recommended to have glass glue on the wall side to prevent water from dropping below the products.

## 2. Introduction

### 2.1. Appearance





Sequence	Brief introduction	Number (PCS)	Sequence	Brief introduction	Number (PCS)
1	90°Jets	5	7	Pillow	2
2	40° Jets	6	8	Underwater LED Light	1
3	Drain	1	9	Return Water	1
4	Water outlet	1	10	Adjusting Switch	1
5	Faucet	3	11	Button	1
6	Hand Shower	1			

## 2.2. Working Principle

As the main parts of this product, electrical parts contain one 0.70KW one speed hydro massage Jet pump ,which provide you with comfortable and stable water pressure. It is allowed to adjust water pressure and water flow to meet the requirements of different customers with the switches on the edge of the bathtub. Besides, this product is also equipped with underwater LED light and hope man-machine interactive convenient operation can bring you a happy mood.

Supply Voltage: AC220-AC240V 50HZ

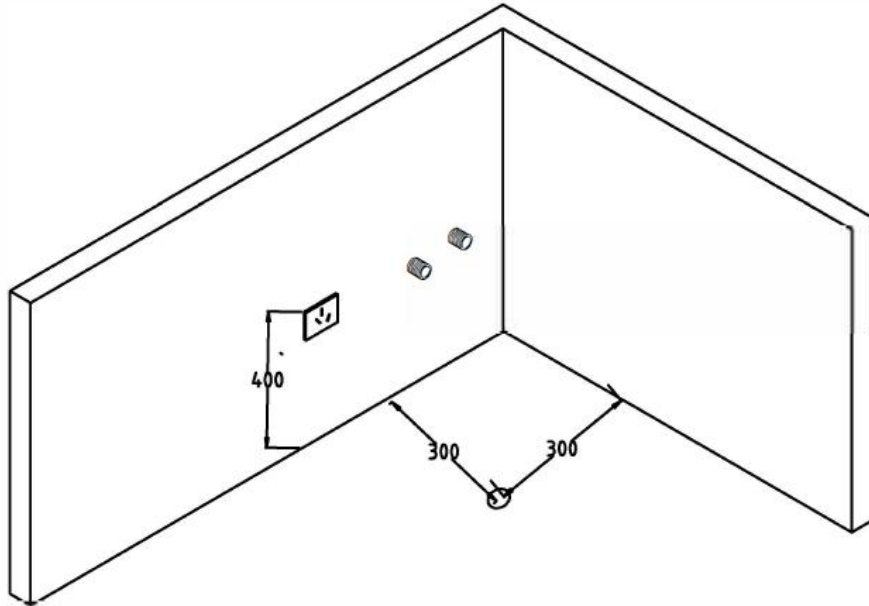
### List of major electrical appliances:

Name	Rated voltage	Rated current (A)	Rated power (KW)	Number
WATER PUMP	AC220-AC240V 50HZ	3.1	0.70	1

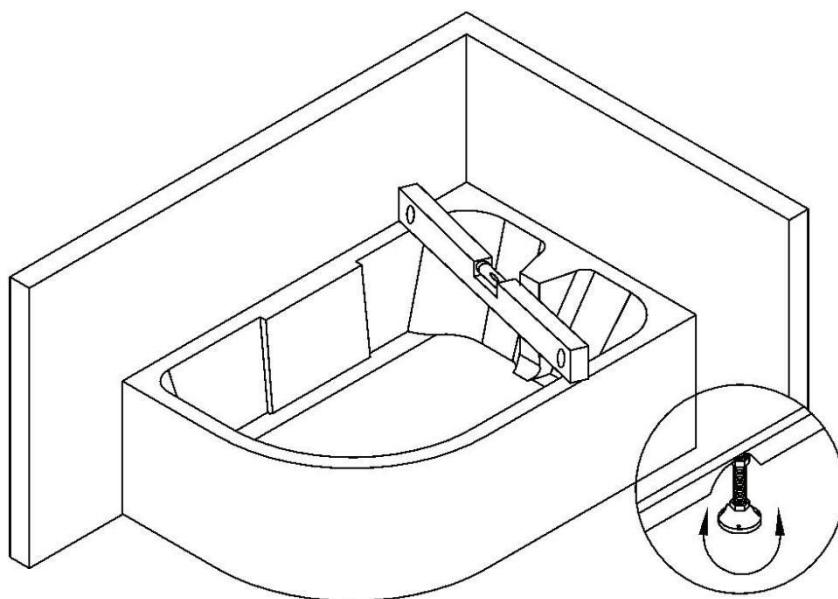
## 4.Installation Instruction

### 4.1. Water And Electricity Installation

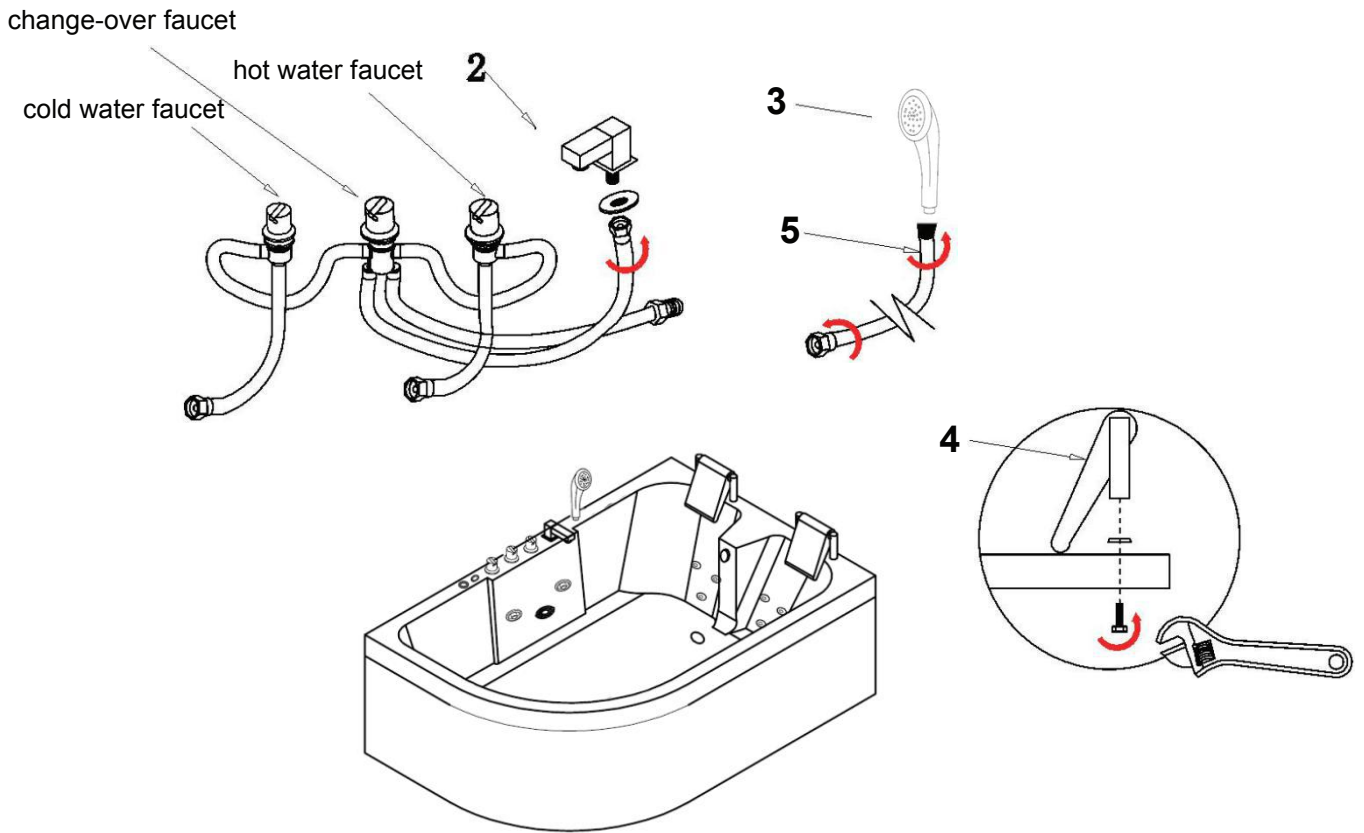
#### Step 1: Preparation



**Step 2 : Put the bathtub in the corresponding position,  
leveling with leveling instrument**



### Step 3: Faucet installation diagram



### Step 4: Start the installation.

- ① Inset the drain pipe into the sewage.
- ② Connect the inlet pipe.  
(Please pay attention to the hot and cold water pipe)
- ③ Plug the power cord into the power outlet.
- ④ Put the products into the corner and apply glass glue to the edge of the tub.

